

TinyFPGA BX – ICE40 FPGA Development Board with USB

PRODUCT ID: 4038

Wanna dip your toes into the world of digital logic design – but a little intimidated of the complexity? You may find a friend in the TinyFPGA BX, a FPGA development board that is designed from the ground up to be easy to use. Designed for makers and hobbyists, TinyFPGA BX puts you in control and takes the headache out of power delivery, clocking, configuration flash, and more. Its small form factor fits easily on a breadboard for learning or prototyping.

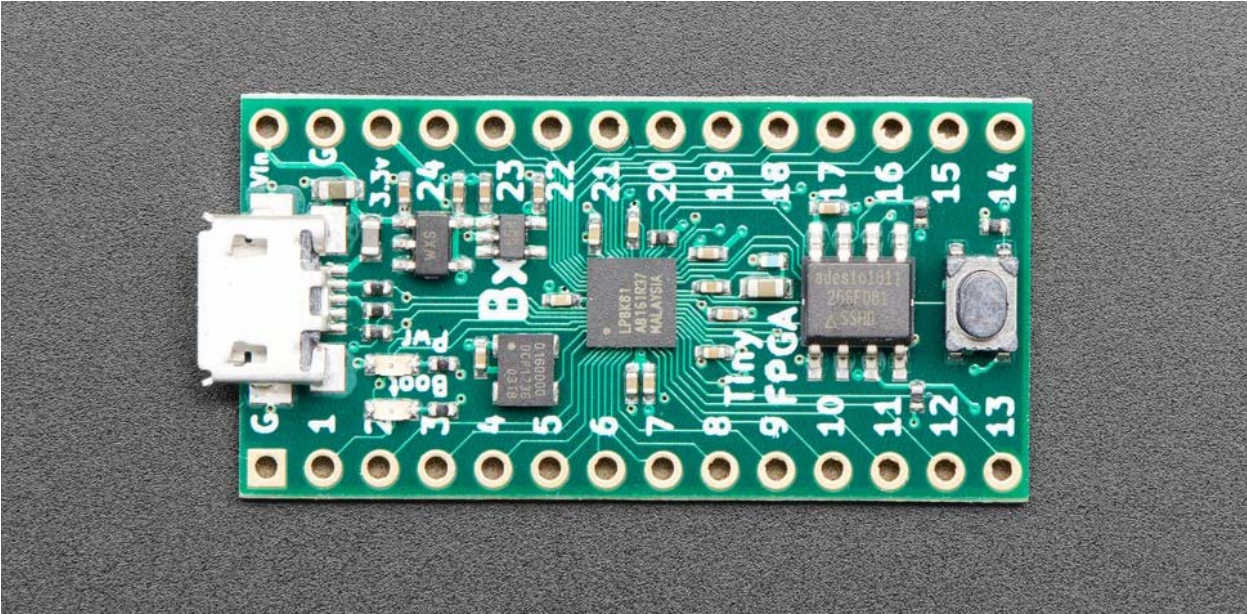
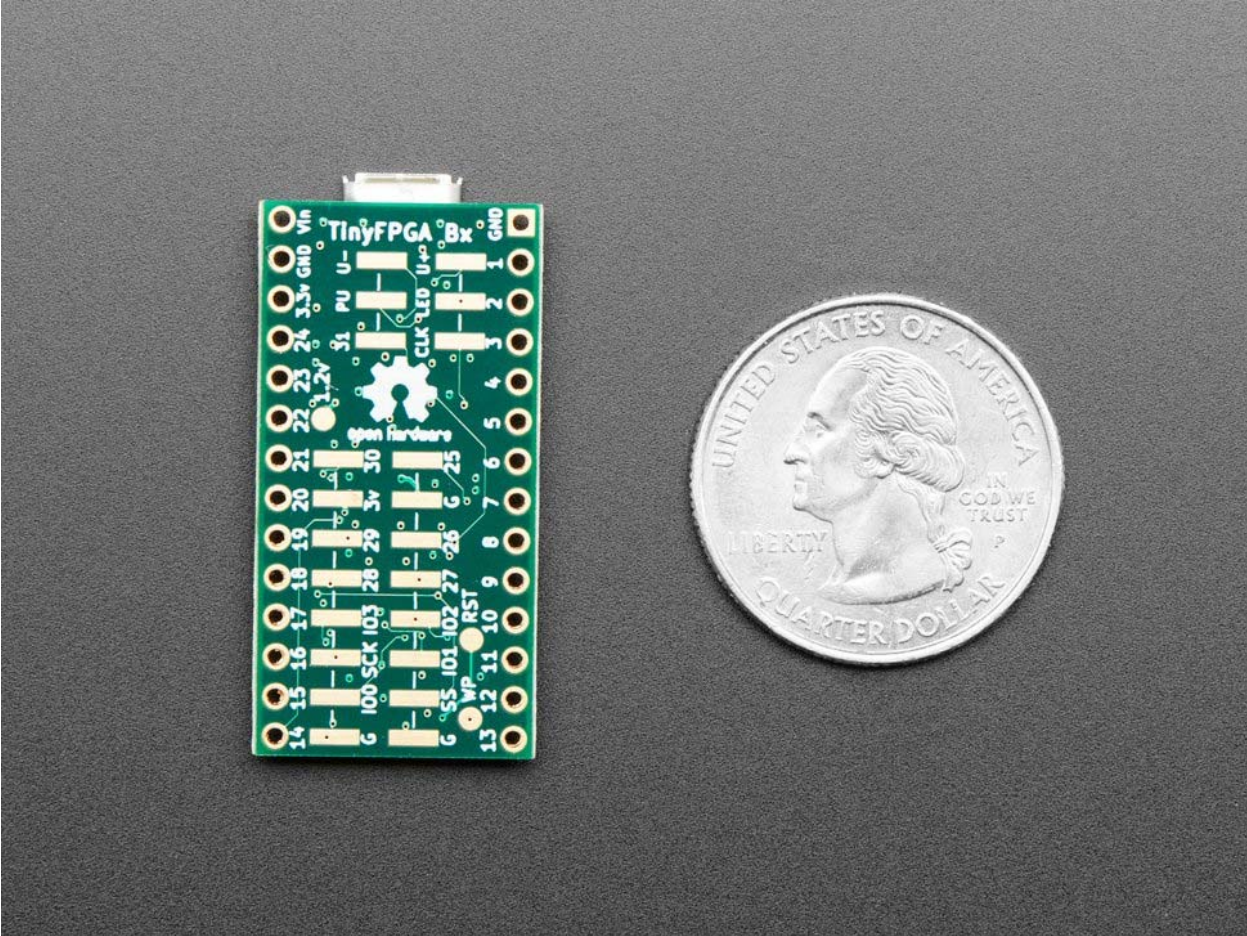
This board is all-in-one, with a USB bootloader so you don't need any external programmer dongles. The ICE40 FPGA chip is supported by open source tools, so you can develop on any operating system. There's documentation and getting started guides, so you can make your first FPGA project, or maybe just your tiniest one? Check out the website at tinyfpga.com

TinyFPGA BX features include:

- Programming interface: USB 2.0 full-speed with bootloader
- ICE40LP8K FPGA
 - 7,680 four-input look-up-tables
 - 128 KBit block RAM
 - Phase Locked Loop
 - 41 user IO pins
- 8 MBit of SPI Flash (1 MByte)
- Onboard 3.3 V (300 mA) and 1.2 V (150 mA) LDO regulators
- Low-Power 16 MHz MEMS Oscillator
 - 1.3 mA power when active
 - 50 ppm stability

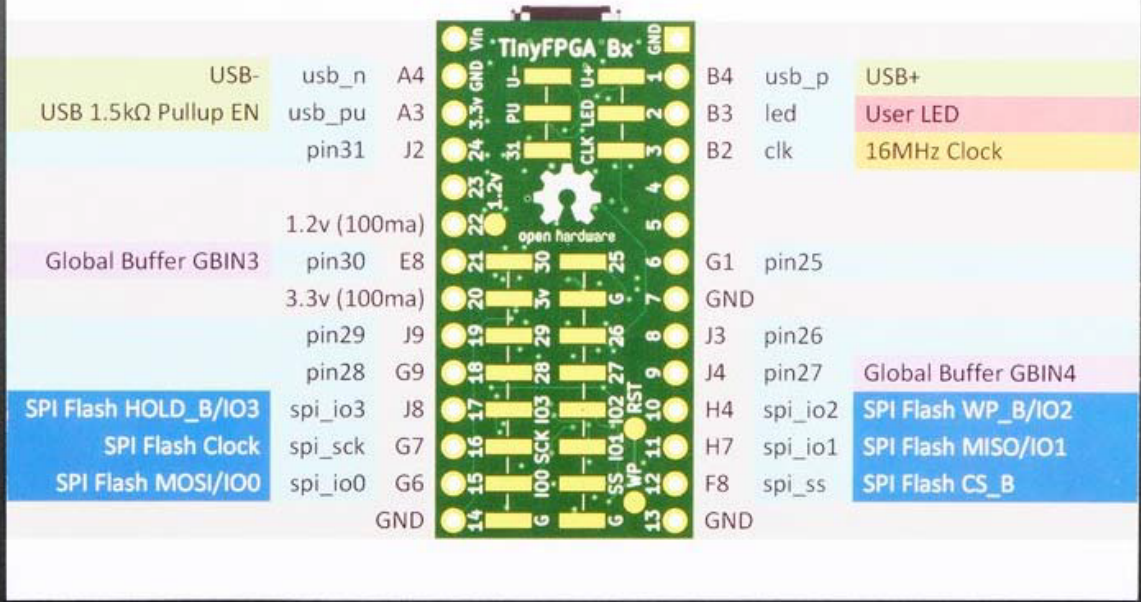
TECHNICAL DETAILS

- Board dimensions: 36 x 18 x 4mm
- GitHub repository
- Hobbyists Guide to FPGAs
- Specifications:
 - FPGA Chip: ICE40LP8K
 - Logic Cells: 7680
 - Block RAM: 128 KBit
 - User Flash: 6000 KBit
 - Phase Lock Loops: 1
 - User IO Pins (dedicated + shared): 31 + 10



TinyFPGA BX Bottom

Inner Pads



TinyFPGA BX

tinyfpga.com

