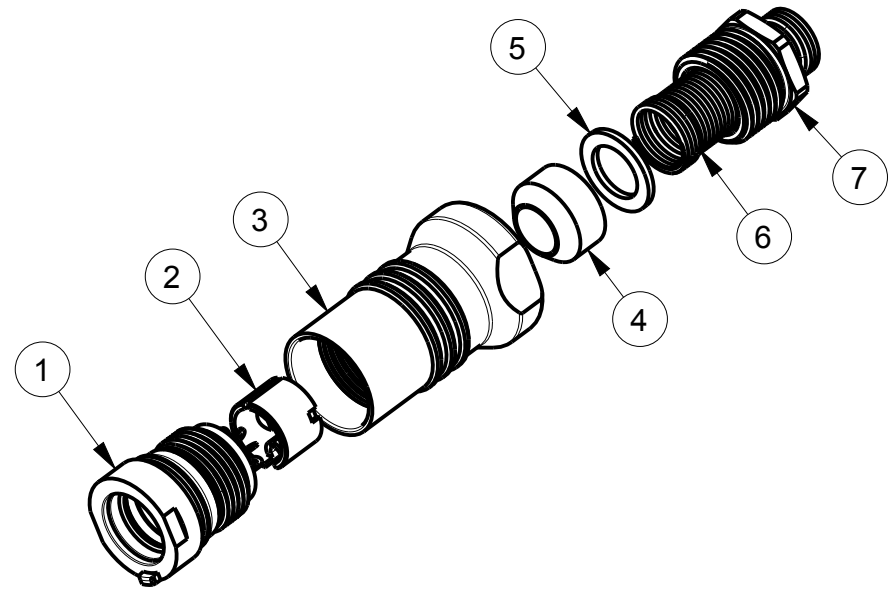
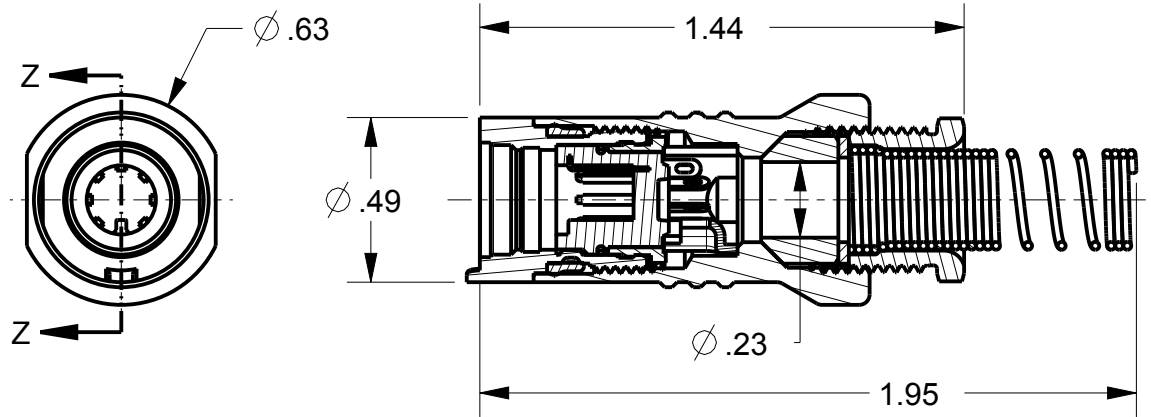


ITEM #	PART #	QTY	DESCRIPTION
1	AJ-117BR-1	1	JACK SUBASSEMBLY
2	AJ-117BR-2	1	STRAIN RELIEF
3	AJ-117BR-32	1	SHELL, JACK
4	AJ-117BR-9	1	BUSHING, ϕ .25
5	AJ-117BR-10	1	WASHER, ϕ .25 ID
6	AJ-117BR-15	1	SPRING, ϕ .25 ID
7	AJ-117BR-11	1	STUD, SHELL - ϕ .25

A AJ-117BRXL-CP



NOTES:
1) ORDERING PART NUMBER: AJ-117BRXL



SECTION Z-Z

THIS DOCUMENT CONTAINS PROPRIETARY INFORMATION OF NEXUS, INCORPORATED AND SUCH INFORMATION MAY NOT BE DISCLOSED TO OTHERS FOR ANY PURPOSE OR USED FOR ANY PURPOSE WITHOUT THE WRITTEN CONSENT OF NEXUS.

					DWN.BY	LDE	DATE	Aug-25-05	MATERIAL			
					CHECKED BY		DATE		FINISH			
					APPR.BY		DATE		WEIGHT	SCALE = 2.00 :1		
					UNLESS OTHERWISE SPECIFIED: DIMENSIONS ARE IN INCHES &/OR [mm] TOLERANCES: DECIMAL: .XX[X.X] .XXX[X.XX] ± .0X[0.X] ± .00X[0.0X] FRACTION: X/X ANGLES: X ± X/XX ± X				TITLE JACK XL- 1/4" STRAIN RELIEF		NEXUS STAMFORD, CONN	
B	UPDATE DIMS	211	8/25 2014	HR								
LET.	REVISION	CN #	DATE	CHK.	DO NOT SCALE DWG.		SHEET 1 OF 1		A AJ-117BRXL-CP			