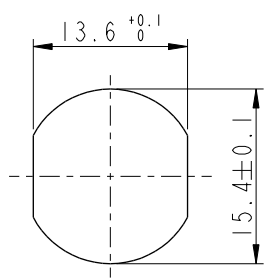


THIS DOCUMENT IS SUBJECT TO CHANGE WITHOUT NOTICE. IT IS CONFIDENTIAL AND A PROPERTY OF Amphenol LTW. DISCLOSURE TO THIRD PARTY HAS TO BE AUTHORIZED BY Amphenol LTW.

| REV. | ECN NO. | DATE | SIGN | DESCRIPTION |
|------|---------|------------|-----------|-------------|
| E | C201447 | 2020/09/18 | Ruru | △E X6 |
| F | C210309 | 2021/02/23 | Ruru | △E X3 |
| G | C211340 | 2021/08/23 | Allen Pan | △G X2 |



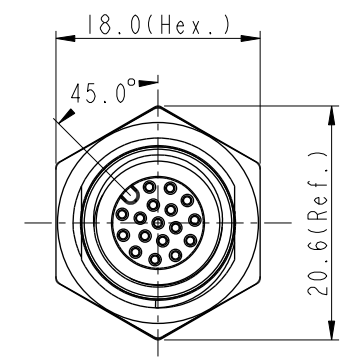
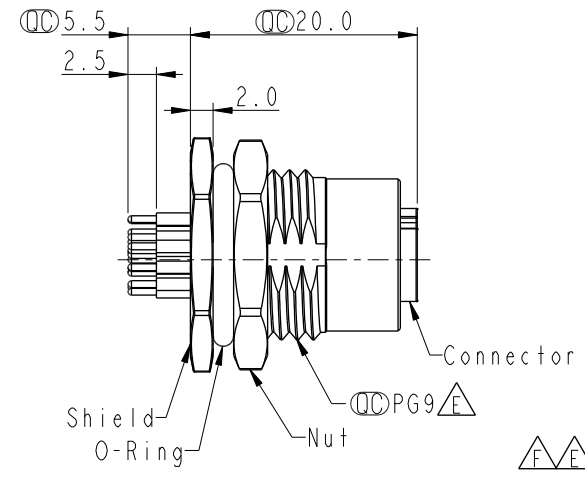
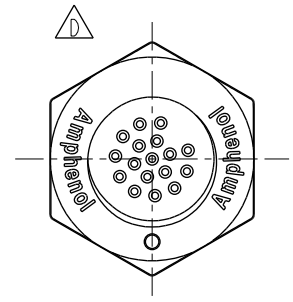
Recommended Panel Cut-Out

△B △E

△C △D △E

M12A-XXPFFP-SF8001

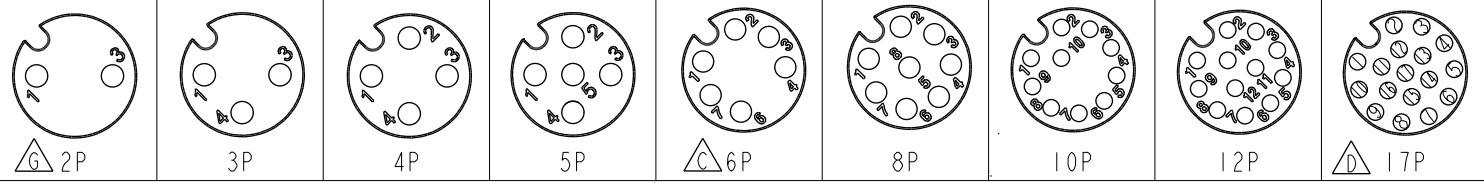
XX: No. Of Pin



△F △E

Note:

- * RoHS Compliant
- * Ⓞ Important dimension
- △* Waterproof rate: IPX8, unmated 1m/24h
IPX9K, unmated
- * Connector
Housing: Thermoplastic, Black
Pin: Copper alloy, Gold plated
O-Ring: Rubber, Green
- * Shield: Metal
- * Nut: Metal
- * O-Ring: Rubber, Black
- * For panel thickness max: 4.5mm
- * Nut is packed separately in pe bag



Pin Assignment Front View

| | | |
|-----------|-------|--|
| UNIT: mm | | |
| TOLERANCE | | |
| .X | ±0.25 | |
| .XX | ±0.1 | |
| .XXX | ±0.05 | |
| ANGLES | ±1° | |

| | | | |
|---|----------------|--------------------|--|
| TITLE N SEN, M12 A, SCREW RECEPTACLE, F, F, PCB S △E | | | |
| SCALE 2:1 | SIZE A4 | SHEET 1 OF 2 | |
| REV. G | WC-REV. A.5 | Ⓞ: Inspection item | |

Amphenol LTW
安費諾亮泰企業股份有限公司

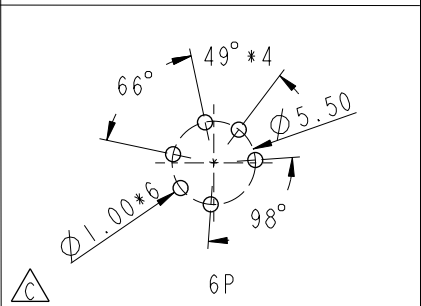
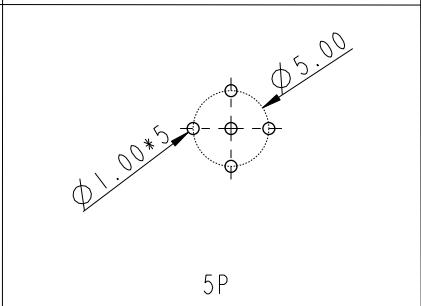
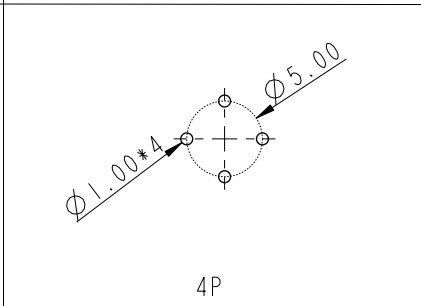
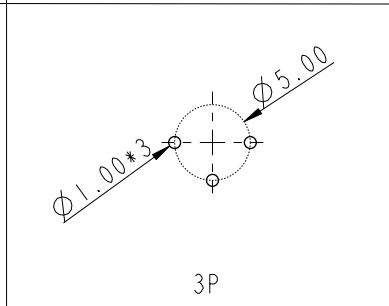
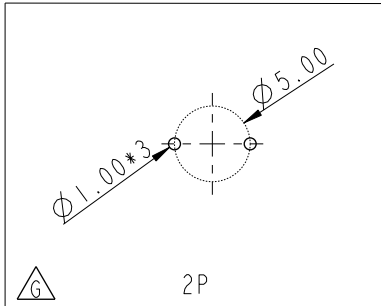
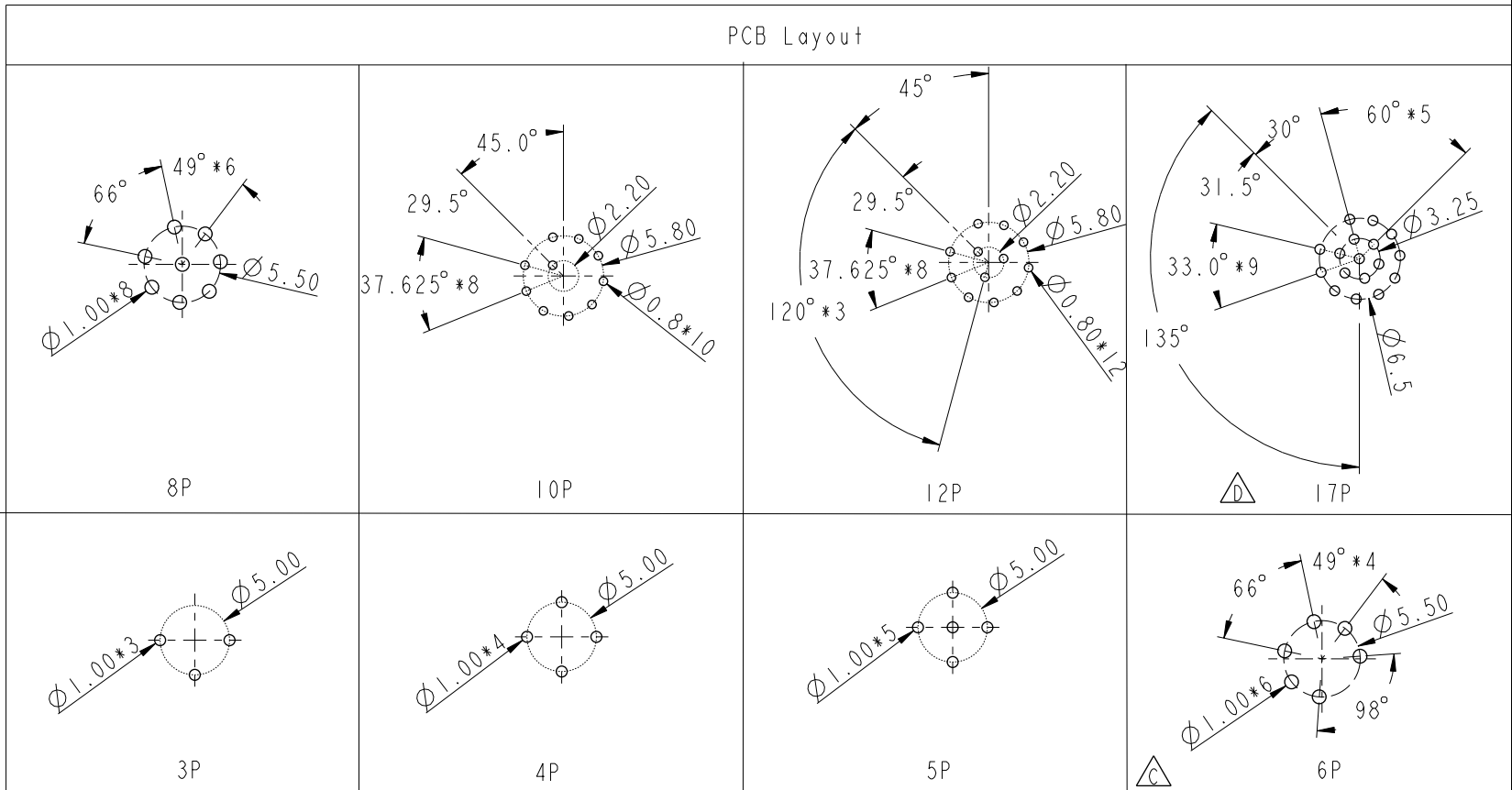
| | |
|----------|-----------------------|
| ITEM NO. | M12A-XXPFFP-SF8001 |
| DWG NO. | △E M12A-XXPFFP-SF8001 |
| CUSTOMER | ALTW |

| | |
|-------------|-------------|
| DRAWN BY | Yulong_wang |
| CHECKED BY | Jinhai |
| APPROVED BY | Jerry |

| | |
|------|------------|
| DATE | 2016-08-08 |
| DATE | 2016-08-08 |
| DATE | 2016-08-08 |

THIS DOCUMENT IS SUBJECT TO CHANGE WITHOUT NOTICE. IT IS CONFIDENTIAL AND A PROPERTY OF Amphenol LTW. DISCLOSURE TO THIRD PARTY HAS TO BE AUTHORIZED BY Amphenol LTW.

PCB Layout



| | | |
|-----------|------|-------|
| UNIT: mm | | |
| TOLERANCE | .X | ±0.25 |
| | .XX | ±0.1 |
| | .XXX | ±0.05 |
| ANGLES | | ±1° |

| | | |
|--|----------------|-----------------|
| TITLE N SEN, M12 A, SCREW RECEPTACLE, F, F, PCB S | | |
| SCALE 2:1 | SIZE A4 | SHEET 2 OF 2 |
| REV. G | WC-REV. A.4 | |

Amphenol LTW
安費諾亮泰企業股份有限公司

| | |
|----------|--------------------|
| ITEM NO | |
| DWG NO | M12A-XXPFFP-SF8001 |
| CUSTOMER | ALTW |

| | |
|-------------|-------------|
| DRAWN BY | Yulong_wang |
| CHECKED BY | Jinhai |
| APPROVED BY | Jerry |

| | |
|------|------------|
| DATE | 2016-08-08 |
| DATE | 2016-08-08 |
| DATE | 2016-08-08 |