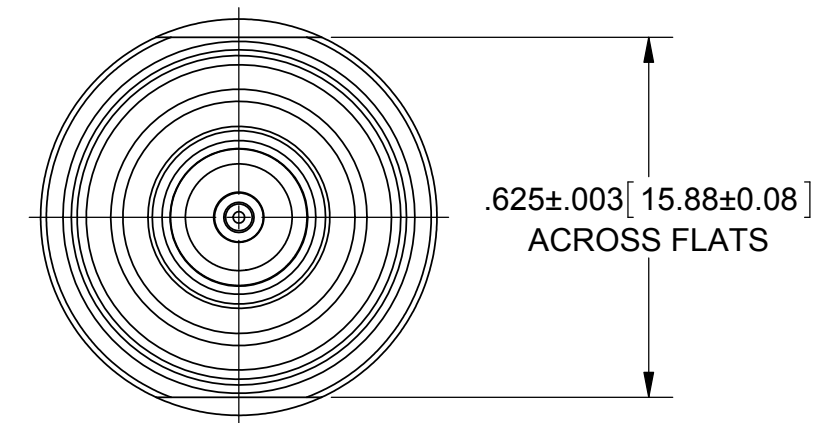
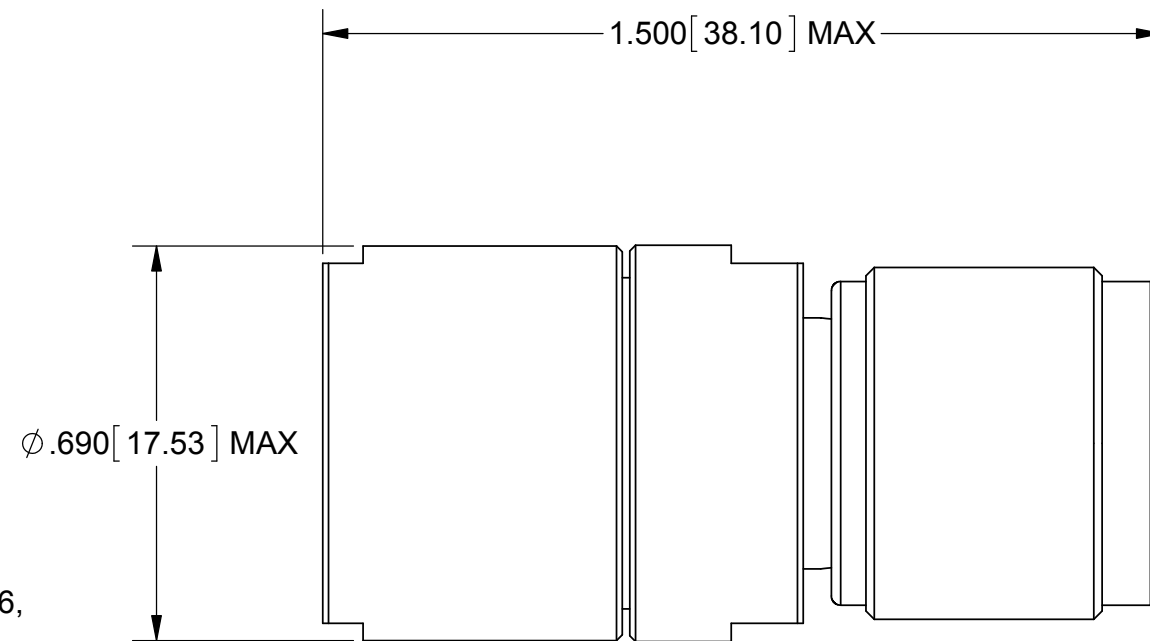
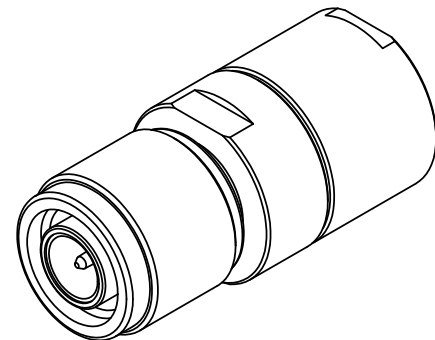


# PRODUCT DATA DRAWING

REVISION HISTORY			
REV	DESCRIPTION	DATE	APPROVED
-	DCN 41583	08/15	BNK



**MATERIAL:**

BODY,  
PRESS CAP &  
COUPLING NUT:

STAINLESS STEEL PER AMS-5640,  
ALLOY UNS S30300, TYPE 1

CONTACT:

BERYLLIUM COPPER PER ASTM B196,  
ALLOY No. UNS C17300, TD04

LOCK RING:

PHOSPHOR BRONZE PER ASTM-B 159, ALLOY  
51000, TEMPER H08

INSULATOR:

PTFE PER ASTM D1710, TYPE I, GRADE 1, CLASS B

GASKET:

SILICONE RUBBER PER A-A-59588,  
CLASS 2B, GRADE 50/60

CARRIER TOP &  
BOTTOM:

BRASS PER ASTM B16, ALLOY UNS No. C36000

CHIP RESISTOR:

BERYLLIUM OXIDE SUBSTRATE WITH TANTALUM  
NITRIDE RESISTOR

**FINISH:**

BODY, CONTACT,  
CARRIER TOP &  
BOTTOM, PRESS CAP &  
COUPLING NUT:

GOLD PER ASTM B488, TYPE II,  
CODE C, CLASS 1.27, OVER NICKEL  
PER AMS-QQ-N-290, CLASS 1, .00005" MIN.

**PERFORMANCE:**

IMPEDANCE:  
FREQ. RANGE:  
VSWR:

50 OHMS  
DC TO 10.0 GHz  
1.05:1 MAX AT DC TO 2.4 GHz  
1.20:1 MAX AT 2.4 TO 10.0 GHz

MATERIAL: SEE NOTES	DIMENSIONS ARE IN INCHES TOLERANCES: FRACTIONAL: ±1/64 ANGULAR: X° ±1'0" X'X' ±15'	UNLESS OTHERWISE SPECIFIED 1) ALL DIMENSIONS ARE IN INCHES (MILLIMETERS) 2) ALL DIMENSIONS ARE AFTER PLATING. 3) BREAK CORNERS & EDGES .005 R. MAX. 4) CHAM. 1ST & LAST THREADS. 5) SURFACE ROUGHNESS 63-MIL-STD-10. 6) DIA. 'S ON COMMON CENTERS TO BE CONCENTRIC WITHIN .005 T.I.R. 7) REMOVE ALL BURRS	 Amphenol 2400 Centrepark West Drive, Suite 100 West Palm Beach, FL 33409
FINISH: SEE NOTES	DECIMAL: X ±.030 .XX ±.010 .XXX ±.005		
SURFACE AREA: N/A	INTERPRET DIMENSIONS AND TOLERANCES PER ASME Y14.5M - 1994	DRAWN: GPF 08/18/15 CHECKED: BNK 08/18/15 APPROVED: BNK 08/18/15	TITLE: PTNC PLUG 5 WATT TERMINATION
PROPRIETARY THE INFORMATION CONTAINED IN THIS DRAWING IS THE SOLE PROPERTY OF SV MICROWAVE, INC. ANY REPRODUCTION IN PART OR AS A WHOLE WITHOUT THE WRITTEN PERMISSION OF SV MICROWAVE, INC IS PROHIBITED.	THIRD ANGLE PROJECTION 		SIZE: B CAGE CODE: 95077 DWG. NO.: M39030/5-04 SCALE: 3:1 SHEET 1 OF 1