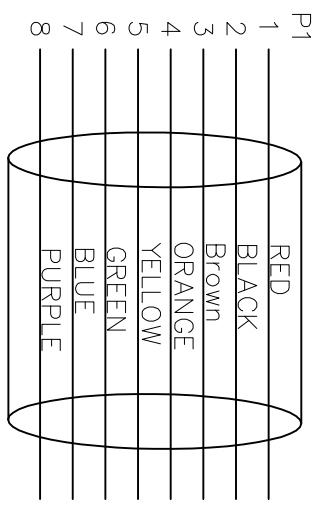
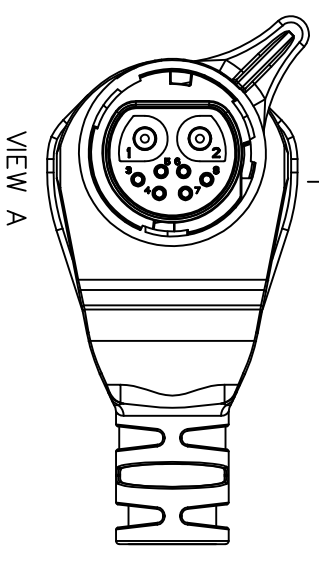
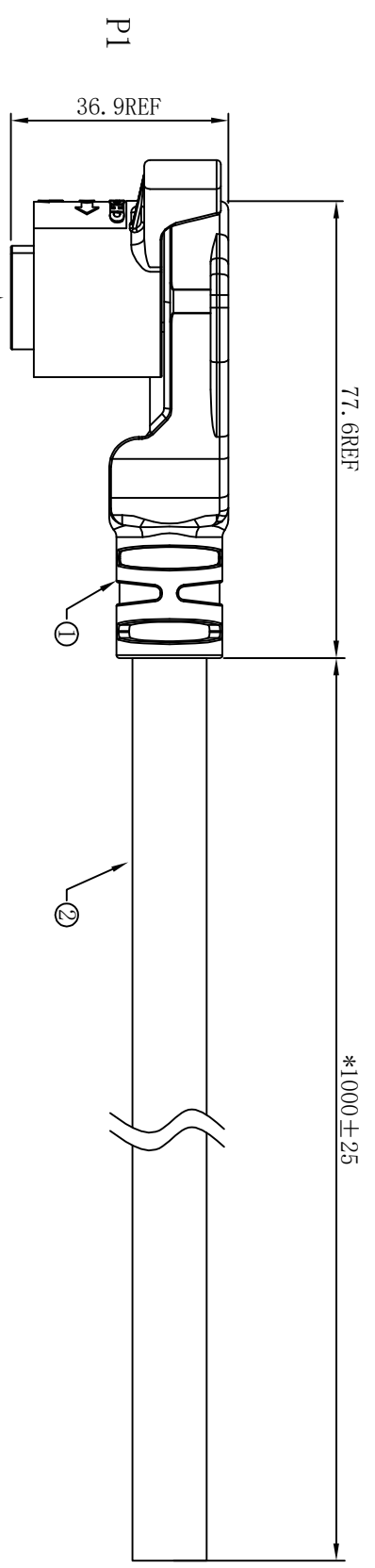


REV.	ECN NO.	DESCRIPTION	SIGN	DATE
C1	N/A	INITIAL DRAWING	Hu Zhou	2022.06.25



SPECIFICATIONS&TEST REQUIREMENTS

- 1.TEMPERATURE RATING: -40°C~105°C
- 2.CURRENT RATING : 2*40A+6*2A
- 3.VOLTAGE RATING: 72V DC
- 4.INSULATION RESISTANCE: 20MΩ@500VDC, 1MIN
- 5.DIELECTRIC WITHSTANDING VOLTAGE: 1500VAC, 1MIN
- 6.MATING CYCLE: 10000CYCLES.
- 6.WATERPROOF RATING: IP67(MATING).
- 7.ROHS COMPLIANT.

ITEM	CHOGORI P/N	QTY	UNIT	DESCRIPTION
2	900-00801-00057	A/R	M	UL2464 10AWG*2C+24AWG*6C+FF+P Black PVC CABLE
1	13206134-01-001	1	PC	KR Series 2+6 Push Lock 90° Overmolding Plug

UNIT: mm

TOLERANCE: ±1

DESCRIPTION: KR Series 2+6 Push Lock 90° Overmolding Cable Assm.

SCALE	SIZE	SHEET	OF
1:1	A4	1	1

REV: C1 * : Inspection Item

CHOGORI

PART NO	DWG NO	CUSTOMER	DRAWN BY	CHECKED BY	APPROVED BY	DATE
11C03621112305	11C03621112305		Hu Zhou	Zhong Peng	Eric	2022/06/25