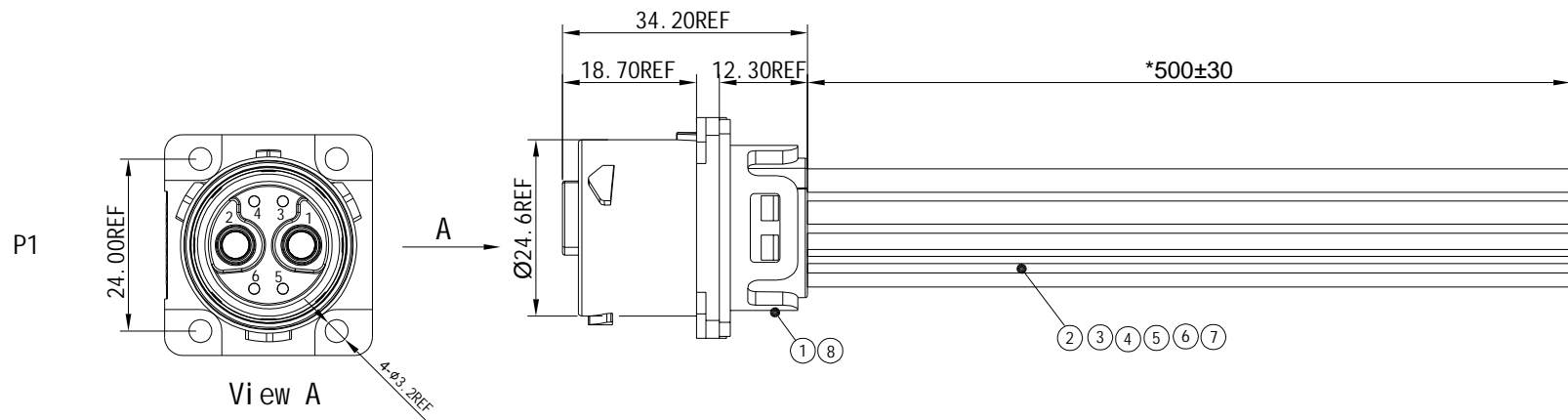


REV.	ECN NO.	DESCRIPTION	SIGN	DATE
C1	N/A	INITIAL DRAWING	Kevin	2022.06.30

THIS INFORMATION IS CONFIDENTIAL AND IS DISCLOSED TO YOU ON CONDITION THAT NO FURTHER DISCLOSURE IS MADE BY YOU TO OTHER THAN CHOGORI PERSONNEL WITHOUT AUTHORIZATION FROM CHOGORI CORP.



<p>Pin Assignments Front view</p>	P1	6	Brown(20AWG)
		5	Orange(20AWG)
		4	Yellow(20AWG)
		3	Green(20AWG)
		2	Black(9AWG)
		1	Red(9AWG)
		Pin	Wire Color

Specification:
 1. Operation temperature: -10°C-80°C.
 2. Insulation resistance: 10MΩ at DC500V.
 3. Waterproof: IP67 (Mated).
 4. Voltage Rating: 60V DC.
 5. Voltage Resistance: AC 1000V, Leakage current <5mA
 6. Current Rating: 30A+5A
 7. RoHS compliant.

8	504-00023-00	N/A	M	φ8.0 Heat shrink tube Black
7	900-00101-00410	A/R	M	UL1569 20AWG Brown WIRE
6	900-00101-00393	A/R	M	UL1569 20AWG Orange WIRE
5	900-00101-00395	A/R	M	UL1569 20AWG Yellow WIRE
4	900-00101-00394	A/R	M	UL1569 20AWG Green WIRE
3	900-00106-00061	A/R	M	UL1312 9AWG Black Silicone WIRE
2	900-00106-00060	A/R	M	UL1312 9AWG Red Silicone WIRE
1	13204636-01	1	PC	Mate 2+4 series panel mount with 2F4M
Item	Part No	Qty	Uom	Description

UNIT:mm		TITLE	Mate 2+4 series panel mount with 2F4M L=500mm	CHOGORI [®]
TOLERANCE	±0.5	SCALE: FREE	SHEET 1 OF 1	
REV.	C1	SIZE	A4	
			* :Inspection Item	

PART NO	1IC03622062803	DRAWN BY	Kevin	DATE	2022/06/30	
DWG NO	1IC03622062803	CHECKED BY	Kevin	DATE	2022/06/30	
CUSTOMER		REV.	APPROVED BY	Eric	DATE	2022/06/30