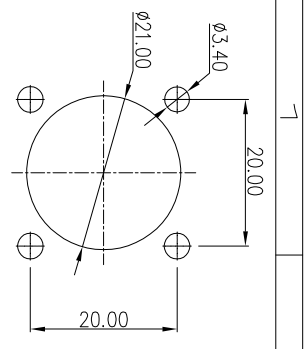
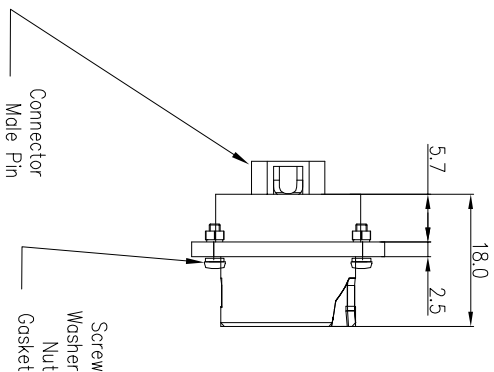


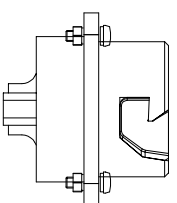
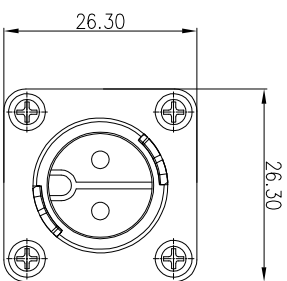
REV.	EN. NO.	DESCRIPTION	SIGN	DATE
C1	N/A	INITIAL DRAWING	Liu	2019/08/13



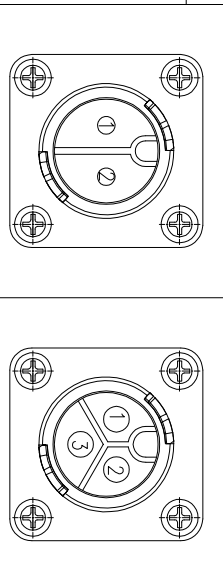
Recommended Panel Cut-Out



Connector
Male Pin
Screw
Washer
Nut
Gasket



23XXX536-01
Pin Number

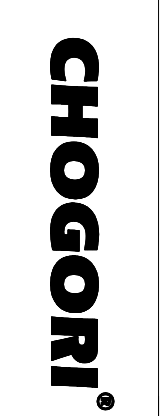


2 Pin
3 Pin

P/N: 23002536-01
P/N: 23003536-01

Pin Assignments Front View

UNIT: mm		DESCRIPTION	Middle Series Push Lock Front Square Flange With Male Pin
TOLERANCE		SCALE	1:1
.X		REV	C1
.XX		SIZE	A4
.XXX		SHEET	1 OF 1
ANGLES		* : Inspection Item	



PART NO	23XXX536-01	DRAWN BY	Liu	DATE	2019/08/13
DWG NO		CHECKED BY	Mo	DATE	2019/08/13
CUSTOMER		APPROVED BY	Pamson	DATE	2019/08/13

Specification:

1. Operation Temperature: $-45^{\circ}\text{C} \sim 105^{\circ}\text{C}$.
2. Insulation Resistance: $100\text{M}\Omega$ at DC500V.
3. Contact Resistance: $<10\text{m}\Omega$.
4. Withstand Voltage: 2000V AC, 1min
5. Operating Current: 20A
6. Operating Voltage: AC 300V
7. Waterproof Rate: IP67 (Mated)
8. Housing: Nylon, Black
9. Male Pin: Copper Alloy, Gold Plated
10. Gasket: Silicon Black
11. Screw: Stainless Steel
12. Washer: Stainless Steel
13. Nut: Stainless Steel
14. RoHS Compliant.
15. Mating Cap P/N: 806-00103-00