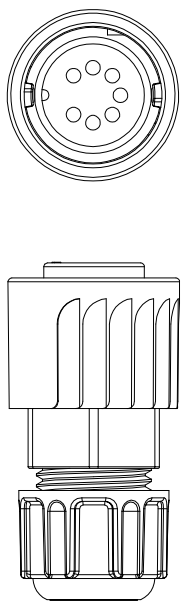
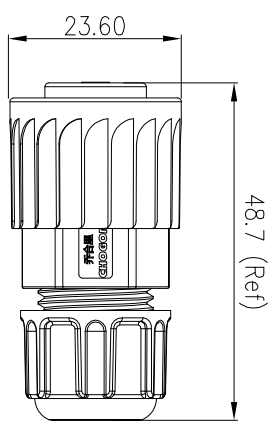
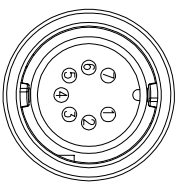


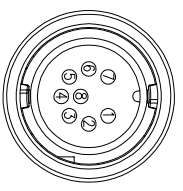
REV.	EN. NO.	DESCRIPTION	SIGN	DATE
C1	N/A	INITIAL DRAWING	Liu	2019/08/13



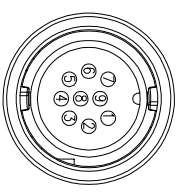
23XXX231-XX Cable Range OD
 01 OD: $\phi 3.5\text{mm} \sim \phi 6.5\text{mm}$
 02 OD: $\phi 6.5\text{mm} \sim \phi 9.5\text{mm}$



7 Pin



8 Pin



9 Pin

P/N: 23007231-XX

P/N: 23008231-XX

P/N: 23009231-XX

Pin Assignments Front View

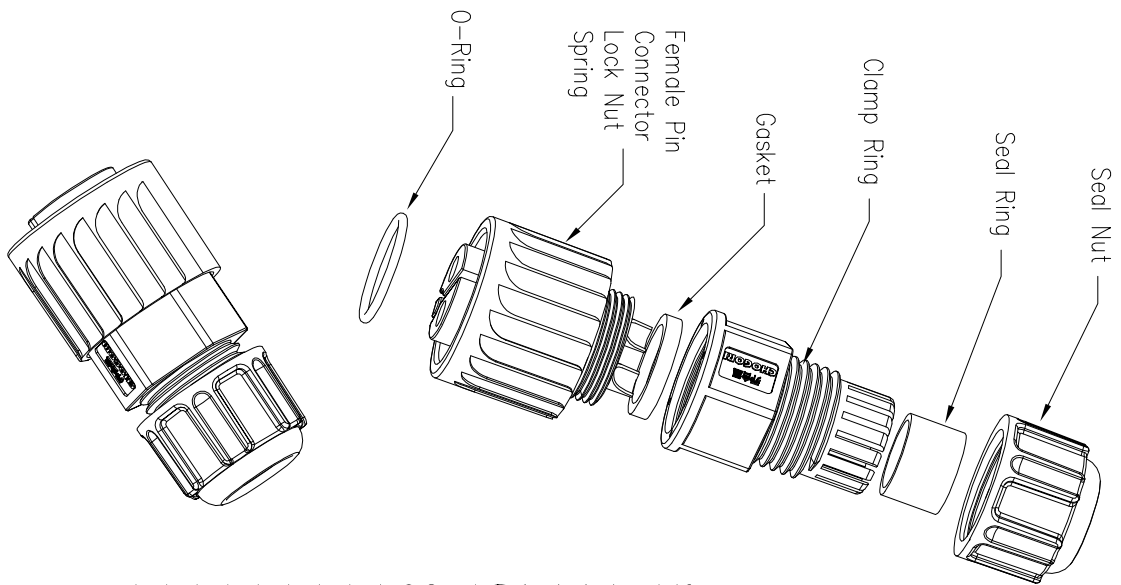


UNIT: mm

DESCRIPTION Middle Series Push Lock Male Plug With Female Pin

TOLERANCE
 X ±0.25
 .XX ±0.15
 .XXX ±0.05
 ANGLES ±1°

SCALE 1:1
 REV. C1 SIZE A4 SHEET 1 OF 1
 * : Inspection Item



Specification:

- 1.Operation Temperature: $-45^{\circ}\text{C} \sim 105^{\circ}\text{C}$.
- 2.Insulation Resistance: $100\text{M}\Omega$ at DC500V.
- 3.Contact Resistance: $<10\text{m}\Omega$
- 4.Withstand Voltage: 1300V AC
- 5.Operating Current: 5A
- 6.Operating Voltage: AC 60V
- 7.Waterproof Rate: IP67 (Mated)
- 8.Seal Nut: Nylon, Black
- 9.Seal Ring: Silicon, Black
- 10.Clamp Ring: Nylon, Black
- 11.Gasket: Silicon, Red
- 12.Female Pin: Copper Alloy, Gold Plated
- 13.Connector: Nylon+GF, Black
- 14.Lock Nut: Nylon, Orange
- 15.Spring: SUS
- 16.O-Ring: Silicon, Red
- 14.RoHS Compliant.
- 15.Mating Cap: 804-00007-00

CHOGORI

PART NO	23XXX231-XX	DRAWN BY	Liu	DATE	2019/08/13
DWG NO		CHECKED BY	Mo	DATE	2019/08/13
CUSTOMER		APPROVED BY	Pinson	DATE	2019/08/13