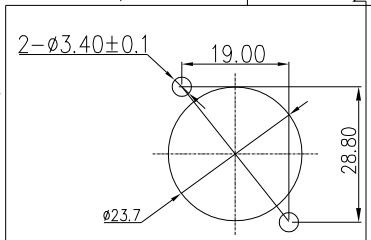
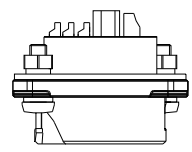
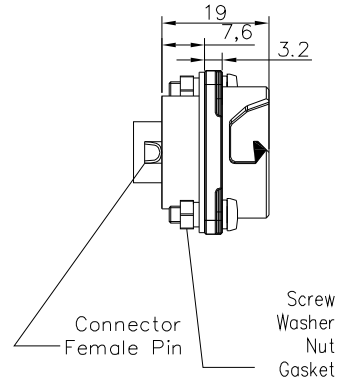
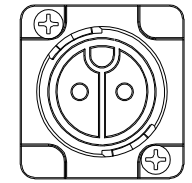


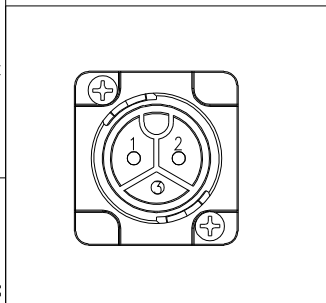
REV.	ECN NO.	DESCRIPTION	SIGN	DATE
C1	N/A	INITIAL DRAWING	Liu	2020/05/20



RECOMMENDED PANEL Cut-Out

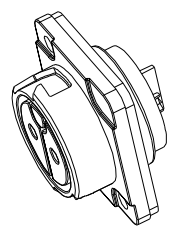


22XXX636-0X
Pin Number



3 Pin
P/N: 24003636-02
Pin Assignments Front View

- Specification:
- 1.Operation Temperature: -45°C~105°C.
 - 2.Insulation Resistance:100MΩ at DC500V.
 - 3.Contact Resistance:<10mΩ.
 - 4.Withstand Voltage: 2000V AC
 - 5.Operating Current:50A
 - 6.Operating Voltage: AC 300V
 - 7.Waterproof Rate:IP67 (Mated)
 - 8.Housing:Nylon, Black
 - 9.Female Pin:Copper Alloy, Gold Plated
 - 10.Gasket:Silicon Gray
 - 11.RoHS Compliant.
 - 12.Mating Cap P/N:806-00058-00



UNIT:mm		DESCRIPTION	Large Series Push Lock Female socket With Female Pin		PART NO	24003636-02	DRAWN BY	Liu	DATE	2020/05/20
TOLERANCE	.X ±0.25 .XX ±0.15 .XXX ±0.05 ANGLES ±1°	SCALE	1:1	SHEET	1 OF 1	DWG NO	CHECKED BY	Mo	DATE	2020/05/20
REV.	C1	SIZE	A4	* :Inspection Item		CUSTOMER	APPROVED BY	Adley	DATE	2020/05/20

CHOGORI®

THIS INFORMATION IS CONFIDENTIAL AND IS DISCLOSED TO YOU ON CONDITION THAT NO FURTHER DISCLOSURE IS MADE BY YOU TO OTHER THAN CHOGORI PERSONNEL WITHOUT AUTHORIZATION FROM CHOGORI CORP.