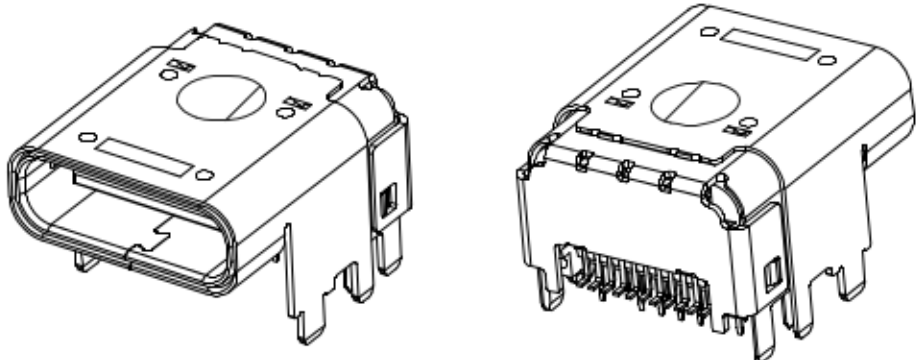
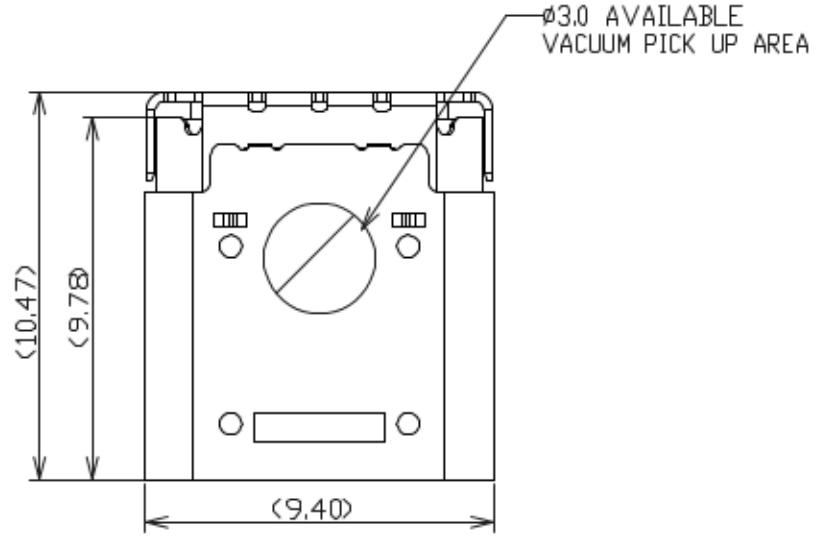


HALOGEN FREE

REV.	EC#	DESCRIPTION	DATE	DRAWN	CHECKED	APPROVED
X2	SZECR14457	NEW RELEASE	8/09/18'	Alr.Chen	Alan.Tsal	



PRODUCT NUMBERING CODE
 C-ARA1 - A K X X X
 ① ② ③ ④ ⑤ ⑥

- 1.CONNCTOR TYPE:
ARA1: USB TYPE-C FULL FEATURE CONN. RECEPTACLE - TOP MOUNT TYPE
- 2.NO. OF POSITION:
A: 24 POSITIONS.
- 3.COLOR OF INSULATOR:
K: BLACK.
- 4.PLATING OF CONTACT:
1: GOLD FLASH ON CONTACT AREA,
5: Au 30u" PLATING ON CONTACT AREA
- 5.PLATING OF FRONT SHELL
1: SOLDERING NICKEL

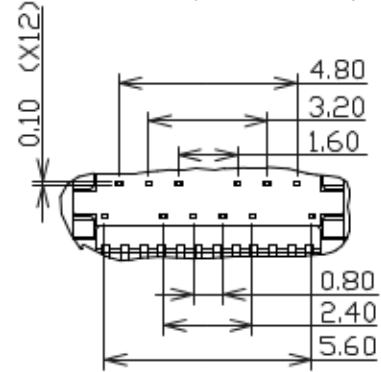
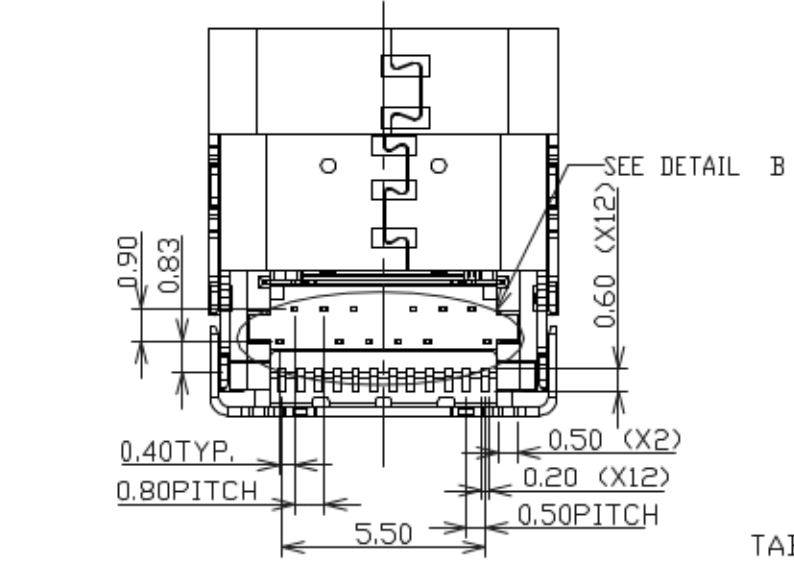
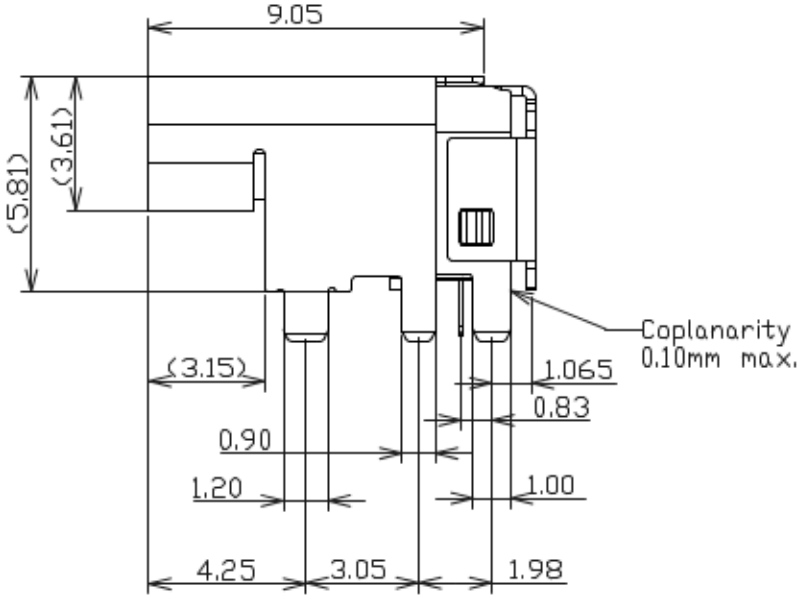
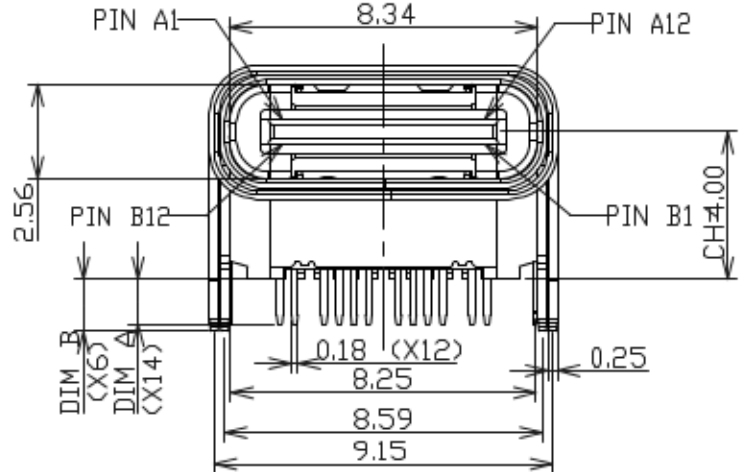


TABLE A:

PIN NO.	A1	A2	A3	A4	A5	A6	A7	A8	A9	A10	A11	A12
SIGNAL NAME	GND	SSTXp1	SSTXn1	VBUS	CC1	Dp1	Dn1	SBU1	VBUS	SSRXn2	SSRXp2	GND
PIN NO.	B12	B11	B10	B9	B8	B7	B6	B5	B4	B3	B2	B1
SIGNAL NAME	GND	SSRXp1	SSRXn1	VBUS	SBU2	Dn1	Dp1	CC2	VBUS	SSTXn2	SSTXp2	GND

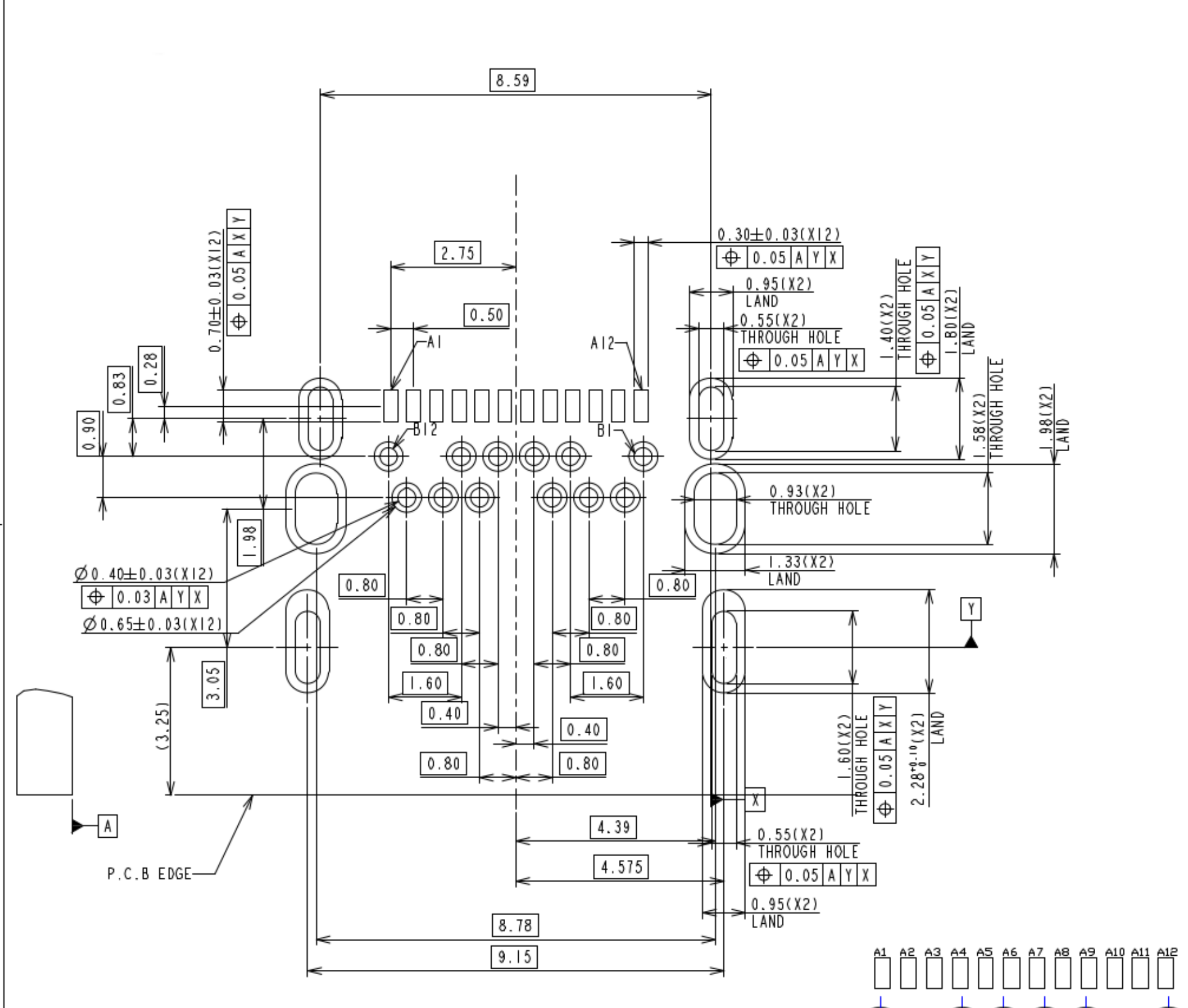
PART NUMBER	DIM A	DIM B
C-ARA1-AK510	1.20mm	1.40mm
C-ARA1-AK511	1.60mm	1.80mm
C-ARA1-AK512	1.40mm	1.40mm
C-ARA1-AK515	1.20mm	1.80mm

ITEM	NAME	Q'TY	PART #	MATERIAL / FINISH
6	EMI RING	2	~	METAL / Ni PLATED
5	GROUND PLATE	1	~	METAL / NI PLATED
4	OUTER SHELL	1	~	METAL / NI PLATED
3	SHELL	1	~	METAL / NI PLATED
2	CONTACT	24	~	COPPER ALLOY / Au PLATED
1	HALF PRODUCT	3	~	HI-TEMP G.F., UL94V-0

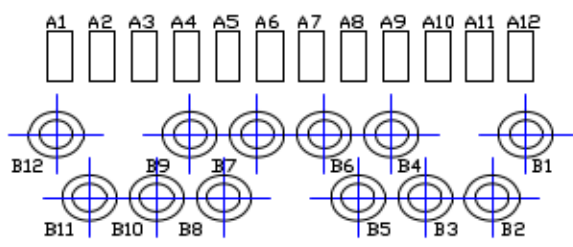
ITEM	NAME	Q'TY	PART #	MATERIAL / FINISH
TOLERANCES UNLESS OTHERWISE SPECIFIED		DRAWN DATE		CnC Tech, LLC
GENERAL	X, .X, .XX, .XXX	±0.25, ±0.25, ±0.19, ±0.05	AVEN 08/09/18'	
ANGLES		X°, .X°, .XX°	±30°, ±20°, ±1.0°	TITLE USB TYPE- C FULL FEATURE CONN. RECPTACLE TOP MOUNT TYPE
SCALE	7:1	CHECKED DATE	ROGER 08/09/18'	
SHEET 1 OF 2		APPROVED DATE	ROGER 08/09/18'	SERIES C-ARA1-AK5XX
UNIT	MM			
				SIZE A3
				REV. X2
				DWG NO. C-ARA1-00-03

1 2 3 4 5 6 7 8

HALOGEN FREE



RECOMMENDED PCB LAYOUT
THICKNESS IS 1.0mm
TOLERANCE ± 0.05



NOTES:

- 1.0. ELECTRICAL CHARACTERISTICS:
 - 1.1. LOW LEVEL CONTACT RESISTANCE: INITIAL: 40mΩ FOR ALL CONTACT MAX. AFTER: 50mΩ FOR ALL CONTACT MAX.
 - 1.2. DIELECTRIC WITHSTANDING VOLTAGE: 100 VAC FOR 1 MINUTE SEA LEVEL.
 - 1.3. INSULATION RESISTANCE: 100MΩ MIN.
 - 1.4. CURRENT RATING: VBUS AND GND CONTACTS RATED AT 1.25A EA., PARALLELED FOR A TOTAL OF 5A.
- 2.0. MECHANICAL CHARACTERISTICS:
 - 2.1. INSERTION FORCE: 5 ~ 20N MAX
 - 2.2. EXTRACTION FORCE: DURABILITY 1~1000 CYCLES 8N MIN, 20 N MAX. DURABILITY 1001~10000 CYCLES 6N MIN, 20 N MAX.
 - 2.3. DURABILITY: 10,000 CYCLES
 - 3.0 OPERATING TEMPERATURE: -40°C TO +85°

PART NUMBER

-
- C-ARA1-AK510
- C-ARA1-AK511
- C-ARA1-AK512
- C-ARA1-AK515

TOLERANCES UNLESS OTHERWISE SPECIFIED GENERAL X ±0.38 XX ±0.25 XXX ±0.13	DRAWN	DATE	CnC Tech, LLC
	AVEN	08/09/18'	
ANGLES X° ±30° X° ±20° XX° ±10°	DESIGN	DATE	TITLE USB TYPE- C FULL FEATURE CONN. RECEPTEALE - TOP MOUNT TYPE
	AVEN	08/09/18'	
SCALE 7:1	CHECKED	DATE	SERIES C-ARA1-AK5XX SERIES
SHEET 2 OF 2	ROGER	08/09/18'	
UNIT mm	APPROVED	DATE	SIZE A3
	ROGER	08/09/18'	REV. X2
	C-ARA1-AK5XX		DWG NO. C-ARA1-00-03