

LB22 SERIES PUSHBUTTON SWITCH

ANTI-VANDAL SWITCHES
DETECTOR SWITCHES
DIP SWITCHES
KEYLOCK SWITCHES
NAVIGATION SWITCHES
PUSHBUTTON SWITCHES
ROCKER SWITCHES
ROTARY SWITCHES
SLIDE SWITCHES
SNAP ACTION SWITCHES
TACTILE SWITCHES
TOGGLE SWITCHES
CAP OPTIONS



APPLICATIONS / MARKETS



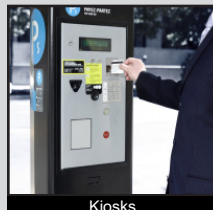
Audio / Visual



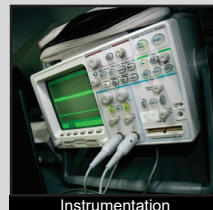
Consumer Electronics



Vending Machines



Kiosks



Instrumentation



Medical Equipment

RoHS

SPECIFICATIONS

Electrical Rating: 3A @ 250VAC
Electrical Life: 50,000 Cycles
Contact Resistance: 50mΩ Max. @1A 12VDC (Initial)
Insulation Resistance: 1,000 MΩ Min. @ 500VDC
Dielectric Strength: 2,000VAC
Operating/Storage Temperature: -20°C to 55°C
Travel: 3.20mm
Contacts: Silver or Gold Plating
Contact Arrangement: SPDT, DPDT
Actuation Force: SPDT: 2.5±1N; DPDT: 3.5±1N
Panel Thickness: 6.0mm MAX.
Moisture Protection: IP65
Mounting Nut Torque: 0.3 - 0.5Nm

FEATURES & BENEFITS

- Single pole or double pole functions
- Multiple color options
- Multiple cap color and style options
- Latching or momentary options
- Silver or Gold contact material
- IP65 rated

PART NUMBER CONFIGURATOR

| Series | Actuator Type | Terminal | Function | Contact Material | Actuator Color | Lens Style | LED Color | Illumination Voltage |
|-----------------------------------|---------------------------------------|---|--|--|---|---|---|---|
| <input type="text" value="LB22"/> | <input type="text" value="F = Flat"/> | <input type="text" value="2 = Solder Lug"/> | <input type="text" value="3 = 1P ON-ON B = 1P ON-(ON) G = 2P ON-ON H = 2P ON-(ON)"/> | <input type="text" value="Q = Silver R = Gold"/> | <input type="text" value="0 = Transparent Clear 1 = Transparent Red 3 = Transparent Green 4 = Transparent Blue 5 = Transparent Orange 6 = Silver (Power Symbol Illum.) 7 = Silver (Non Illum.)"/> | <input type="text" value="NONE = Non-Illuminated 1 = Full Illumination 5 = Power Symbol Illuminated (Silver Actuator only)"/> | <input type="text" value="NONE = Non-Illuminated 0 = White 1 = Red 3 = Green 4 = Blue 5 = Yellow"/> | <input type="text" value="NONE = Non-Illuminated 1 = 3V 3 = 6V 4 = 12V 5 = 24V 6 = 110V 7 = 220V"/> |

NOTES:
1) (ON) Denotes function is momentary.

Specifications subject to change without notice 8.22.2022



E-SWITCH®

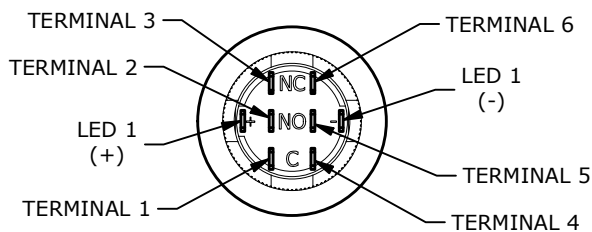
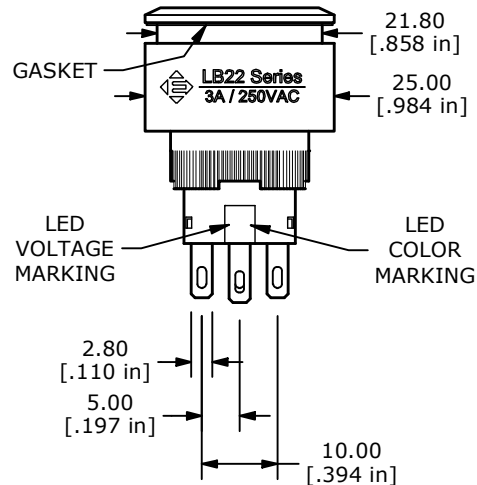
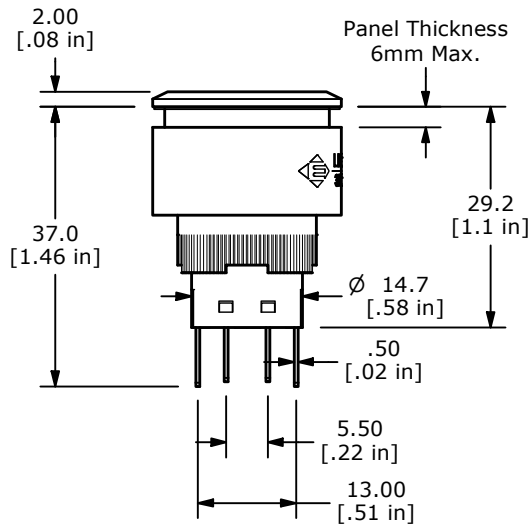
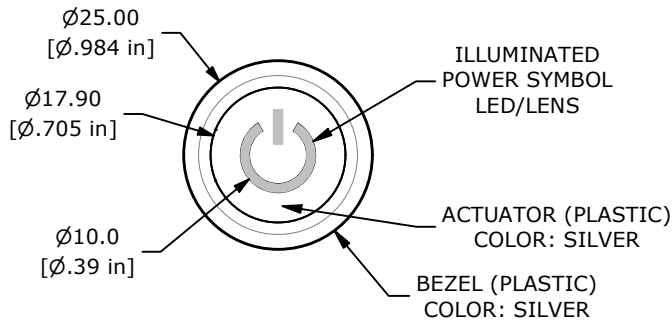
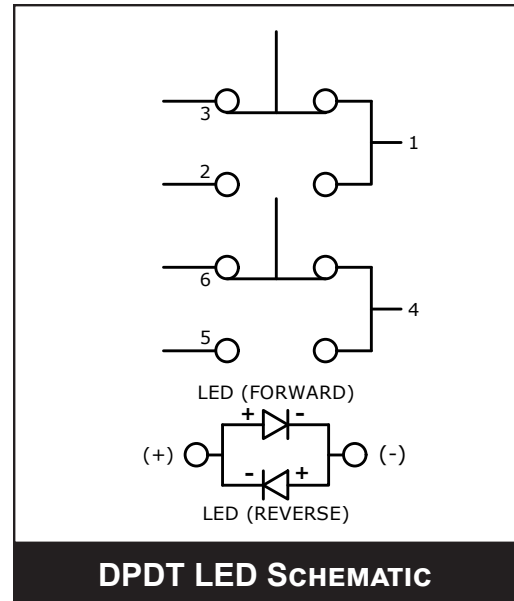
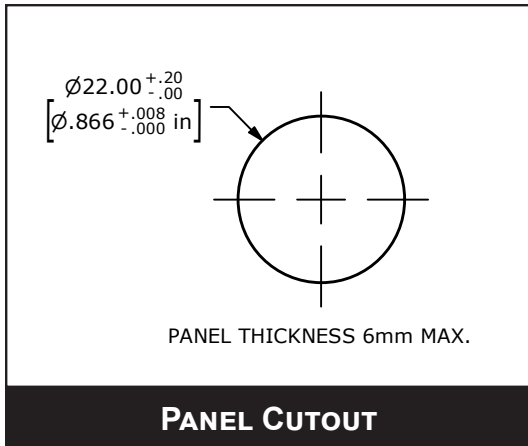
www.e-switch.com

800.867.2717

1

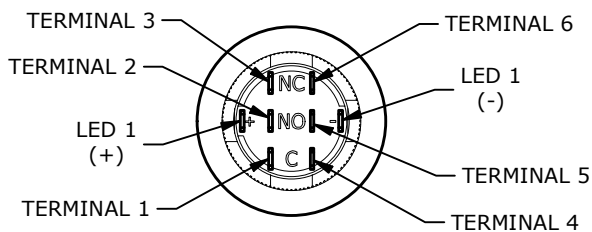
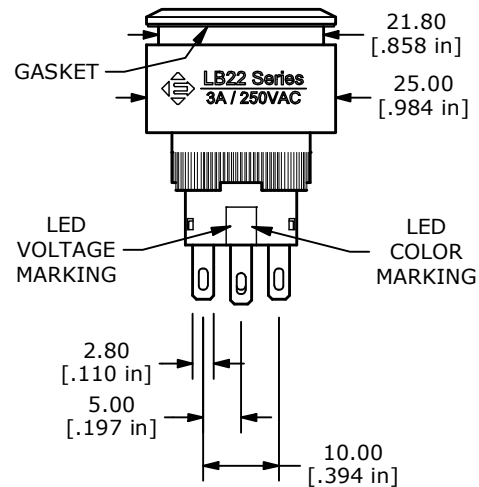
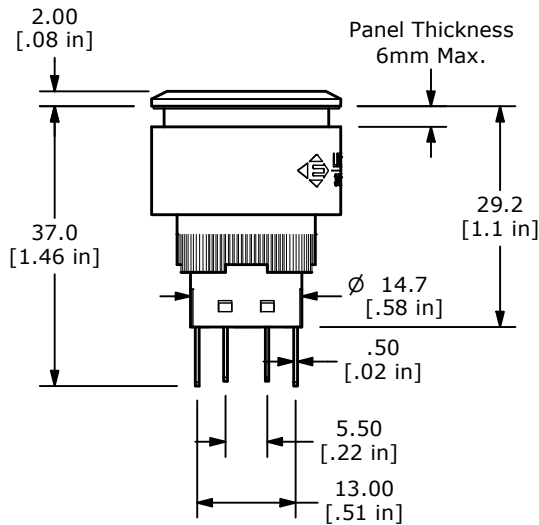
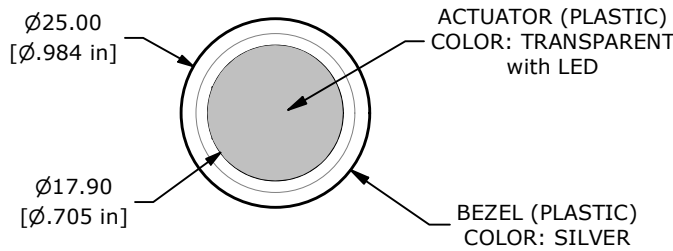
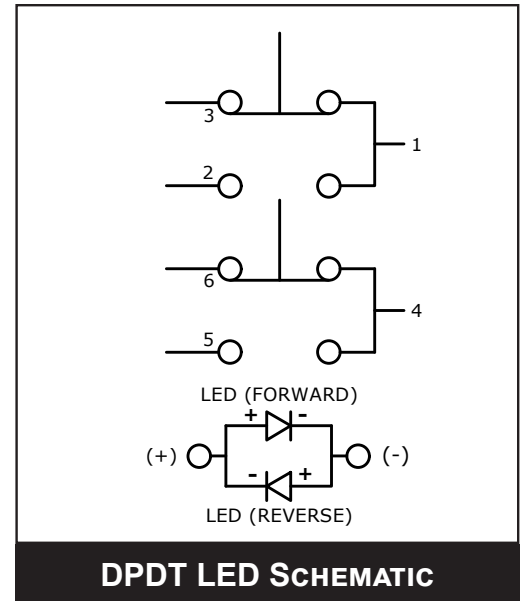
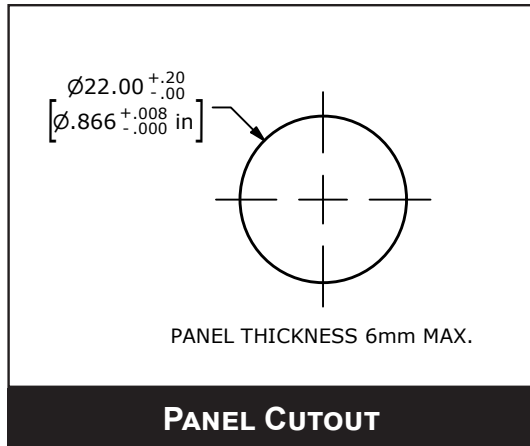
LB22 SERIES PUSHBUTTON SWITCH

BODY DIMENSIONS LED POWER SYMBOL



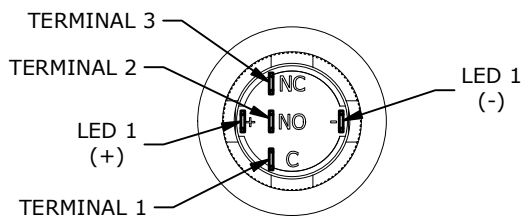
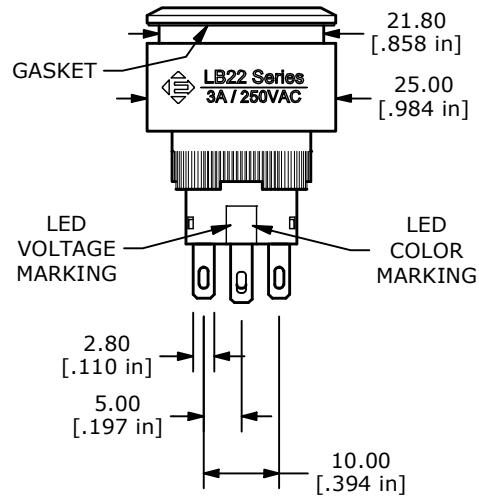
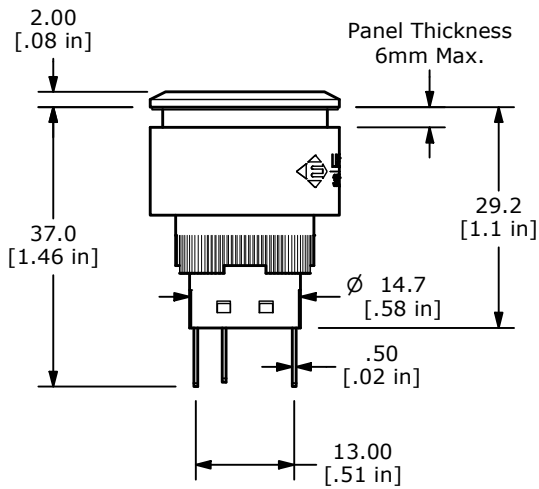
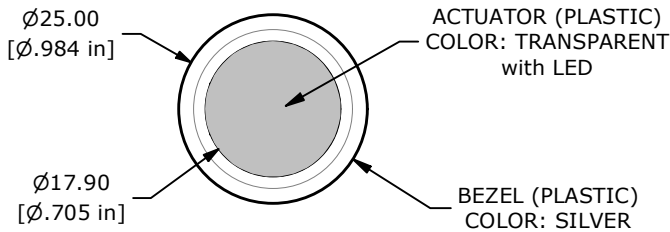
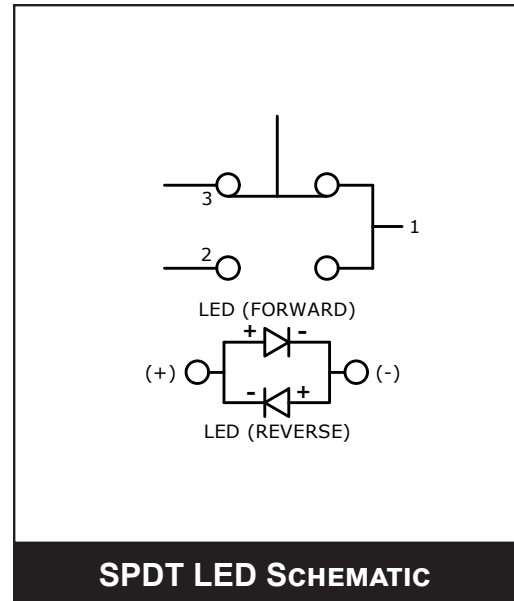
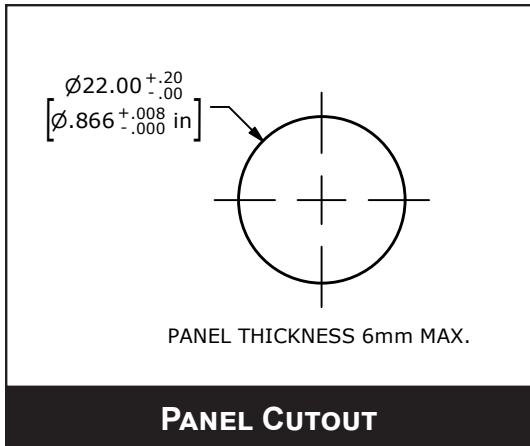
LB22 SERIES PUSHBUTTON SWITCH

BODY DIMENSIONS FULL ILLUMINATION



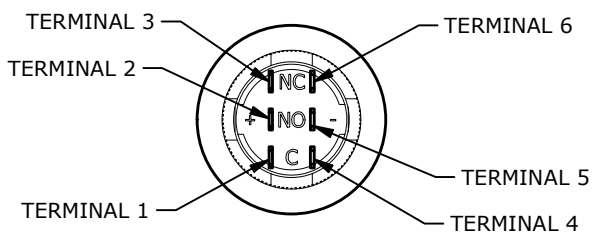
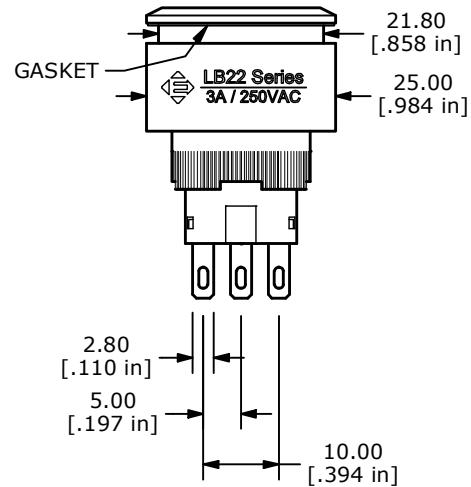
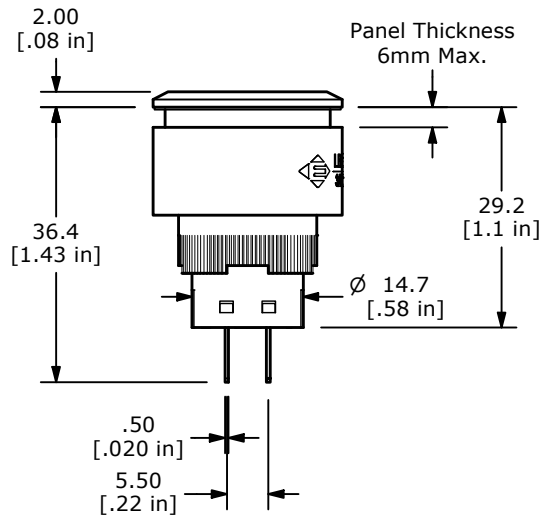
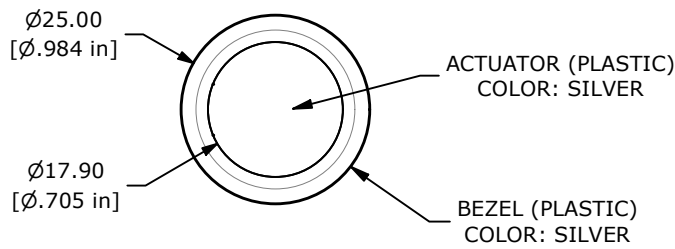
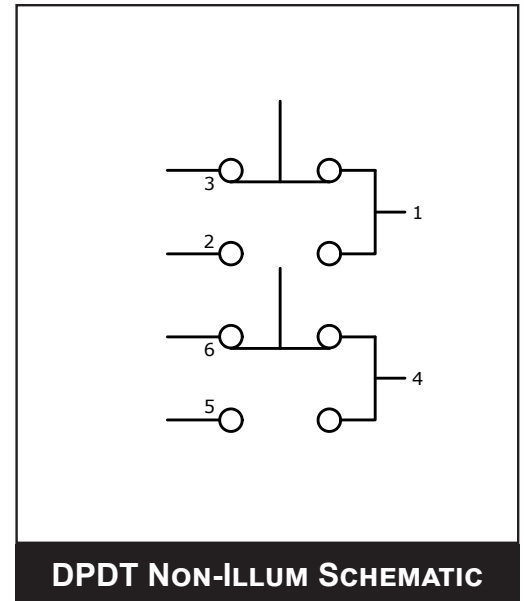
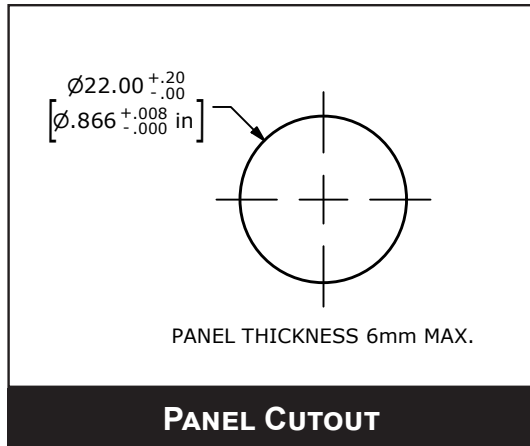
LB22 SERIES PUSHBUTTON SWITCH

BODY DIMENSIONS FULL ILLUMINATION



LB22 SERIES PUSHBUTTON SWITCH

BODY DIMENSIONS NON-ILLUMINATED



LB22 SERIES PUSHBUTTON SWITCH

BODY DIMENSIONS NON-ILLUMINATED

