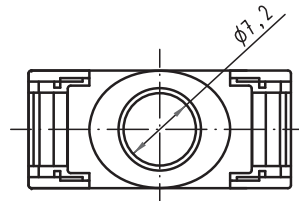
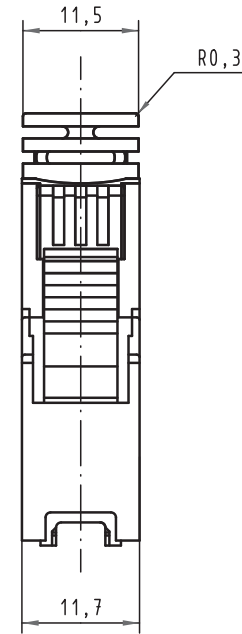
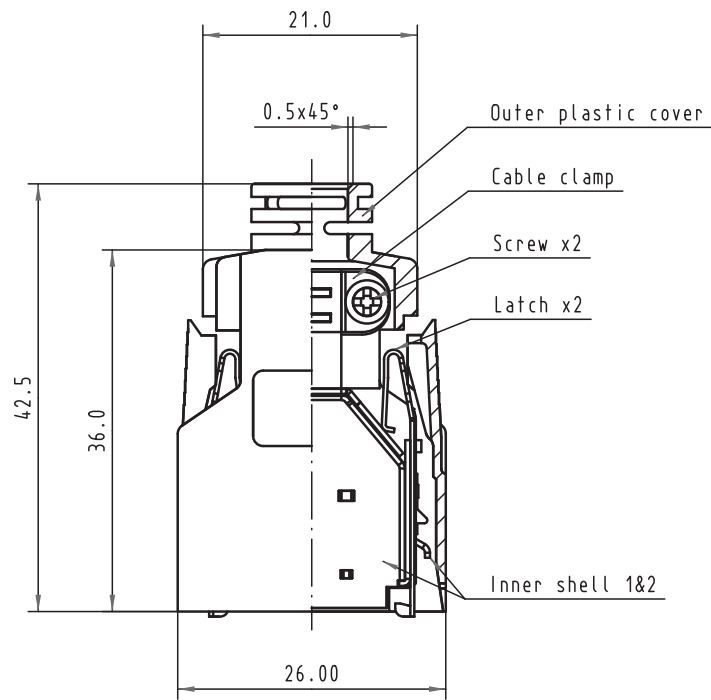


All rights reserved



This hood is according to IEC 61076-3-100.

60 13 014 0153 580	Packaging per 500pcs	+85°C
60 13 014 0153 351	Packaging per 50pcs	+85°C
Part number	index designation	T*material

All Dimensions in mm Original Size DIN A 3			Techn. Character.			Free size tolerances			
			Dat.	Name	Scale	<i>har.nik</i> ® 1/0 pin/socket			
			Detail.	11-Jul-08	KL	2:1	14 poles plastic hood with metal insert for IDC male bellow connector		
			Insp.						
			Stand.						
31771	21-Nov-08	J.S	Zhuhai HARTING Limited				TB 60 13 014 0153 351		Page 1/1
31787	11-Jul-08	KL	Mod.	Dat.	Name		Sub.		