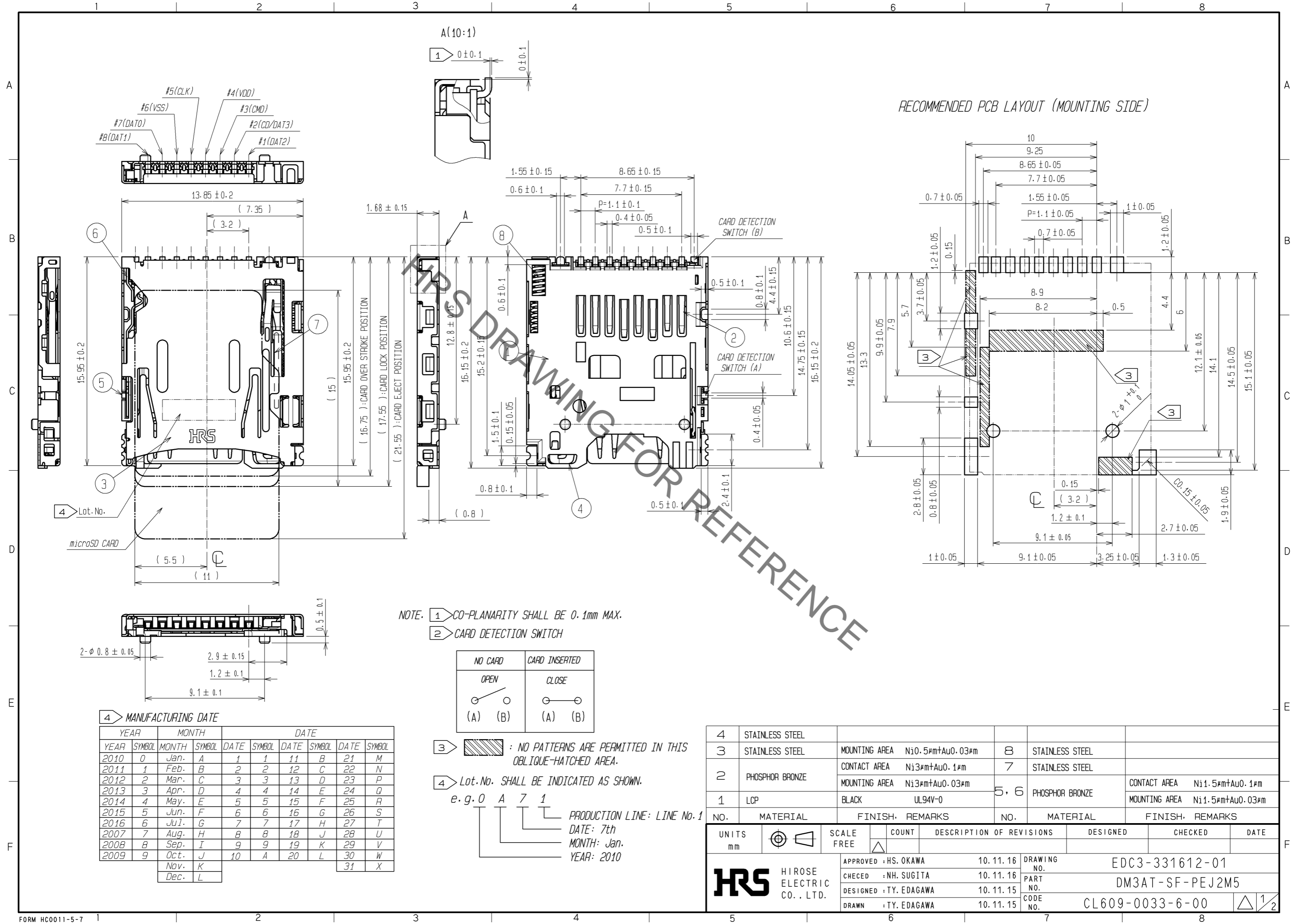


Mar.1.2019 Copyright 2019 HIROSE ELECTRIC CO., LTD. All Rights Reserved.
 In case of consideration for using Automotive equipment / device which demand high reliability, kindly contact our sales window correspondents.



NOTE. 1 CO-PLANARITY SHALL BE 0.1mm MAX.
 2 CARD DETECTION SWITCH

NO CARD	CARD INSERTED
OPEN	CLOSE
(A) (B)	(A) (B)

3 : NO PATTERNS ARE PERMITTED IN THIS OBLIQUE-HATCHED AREA.

4 Lot.No. SHALL BE INDICATED AS SHOWN.
 e.g. 0 A 7 1
 PRODUCTION LINE: LINE No. 1
 DATE: 7th
 MONTH: Jan.
 YEAR: 2010

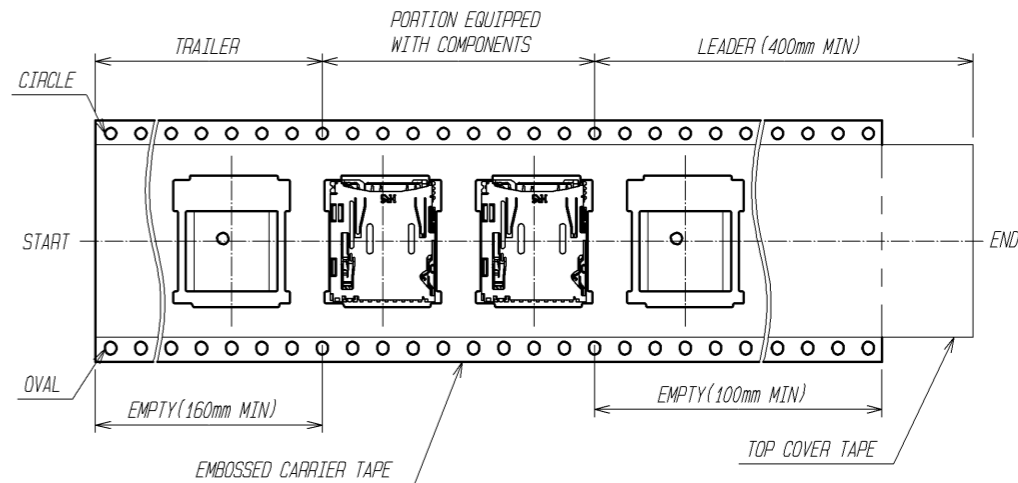
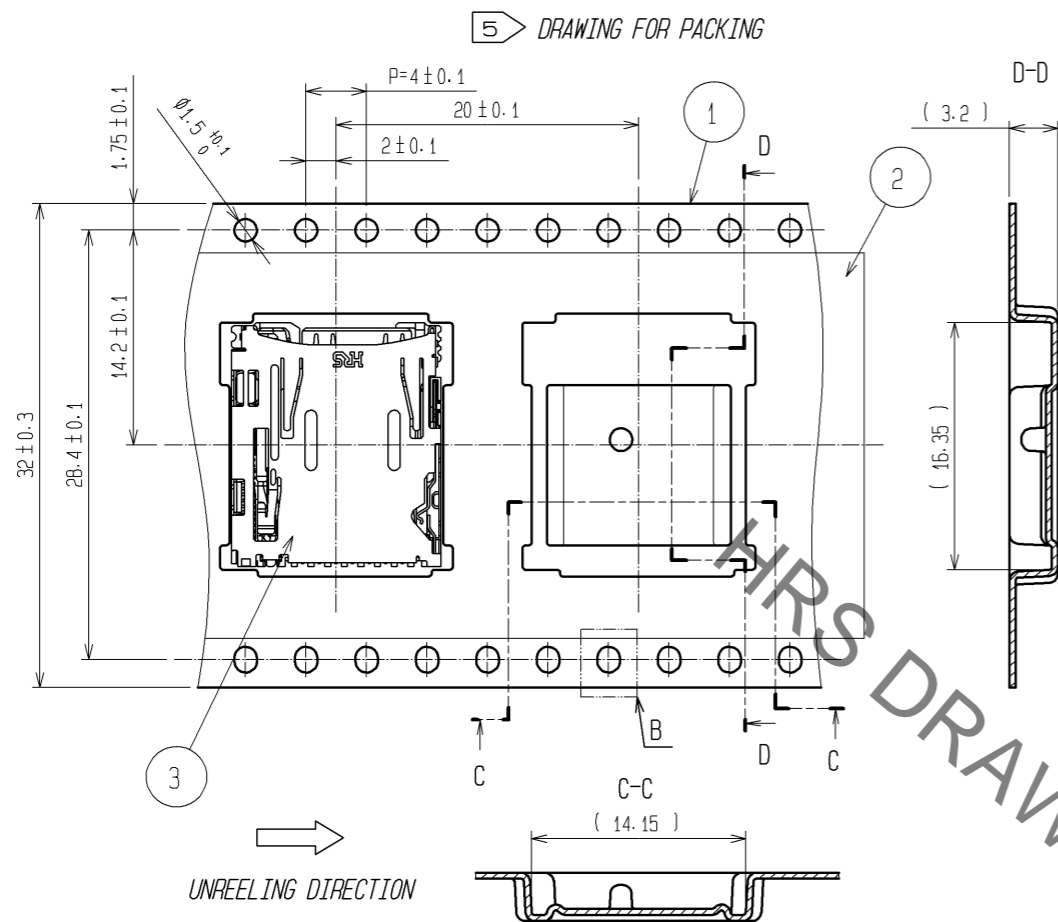
4 MANUFACTURING DATE

YEAR	MONTH	DATE	SYMBOL	YEAR	MONTH	DATE	SYMBOL
2010	0	Jan.	A	1	1	11	B
2011	1	Feb.	B	2	2	12	C
2012	2	Mar.	C	3	3	13	D
2013	3	Apr.	D	4	4	14	E
2014	4	May.	E	5	5	15	F
2015	5	Jun.	F	6	6	16	G
2016	6	Jul.	G	7	7	17	H
2007	7	Aug.	H	8	8	18	J
2008	8	Sep.	I	9	9	19	K
2009	9	Oct.	J	10	A	20	L
		Nov.	K			31	X
		Dec.	L				

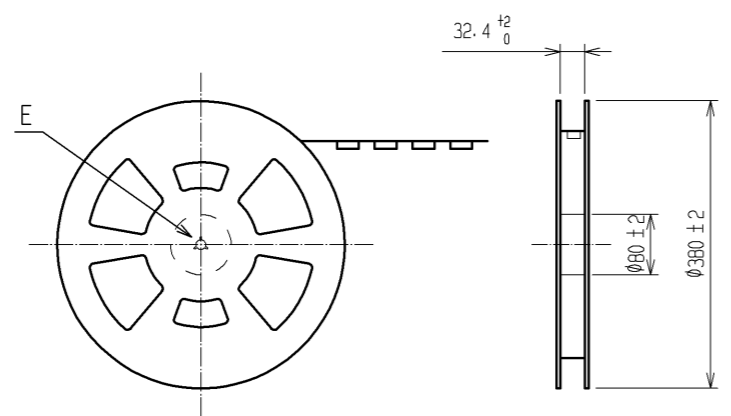
NO.	MATERIAL	FINISH	REMARKS	NO.	MATERIAL	FINISH	REMARKS
4	STAINLESS STEEL						
3	STAINLESS STEEL			8	STAINLESS STEEL		
2	PHOSPHOR BRONZE	CONTACT AREA	Ni3#m+Au0.1#m	7	STAINLESS STEEL		
		MOUNTING AREA	Ni3#m+Au0.03#m				
1	LCP	BLACK	UL94V-0	5, 6	PHOSPHOR BRONZE		
						CONTACT AREA	Ni1.5#m+Au0.1#m
						MOUNTING AREA	Ni1.5#m+Au0.03#m

UNITS	SCALE	COUNT	DESCRIPTION OF REVISIONS	DESIGNED	CHECKED	DATE
mm	FREE	△				
APPROVED : HS. OKAWA			10.11.16	DRAWING NO. EDC3-331612-01		
CHECKED : NH. SUGITA			10.11.16	PART NO. DM3AT-SF-PEJ2M5		
DESIGNED : TY. EDAGAWA			10.11.15	CODE NO. CL609-0033-6-00		
DRAWN : TY. EDAGAWA			10.11.15	1/2		

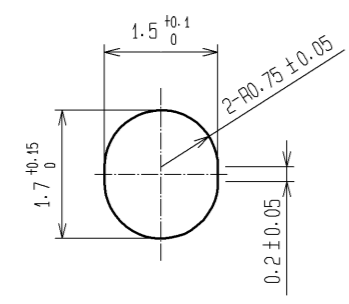
Mar.1.2019 Copyright 2019 HIROSE ELECTRIC CO., LTD. All Rights Reserved.
 In case of consideration for using Automotive equipment / device which demand high reliability, kindly contact our sales window correspondents.



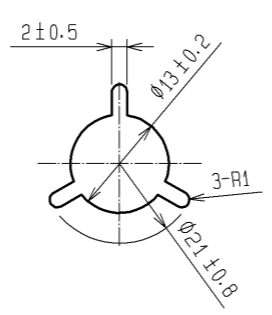
DETAIL OF REEL (1:10)



B(10:1)



E(1:1)



HRS DRAWING FOR REFERENCE

NOTE: 5 PACKING TYPE: TAPE AND REEL. 1500PCS PER REEL.
 6 PLEASE REFER TO TECHNICAL SPECIFICATION : ETAD-F0345
 DM3AT SERIES PRODUCT INFORMATION AND HANDLING INSTRUCTIONS
 FOR THE HANDLING OF THE PRODUCT.

3	(CONNECTORS)	
2	POLYESTER	
1	PS	
NO.	MATERIAL	FINISH, REMARKS

UNITS mm		SCALE 2:1	COUNT △	DESCRIPTION OF REVISIONS	DESIGNED	CHECKED	DATE
HRS HIROSE ELECTRIC CO., LTD.		APPROVED : HS. OKAWA	10.11.16	DRAWING NO.	EDC3-331612-01		
		CHECED : NH. SUGITA	10.11.16	PART NO.	DM3AT-SF-PEJ2M5		
		DESIGNED : TY. EDAGAWA	10.11.15	CODE NO.	CL609-0033-6-00		
		DRAWN : TY. EDAGAWA	10.11.15		△ 2/2		