

COUNT	DESCRIPTION OF REVISIONS	BY	CHKD	DATE	COUNT	DESCRIPTION OF REVISIONS	BY	CHKD	DATE
△					△				
△					△				

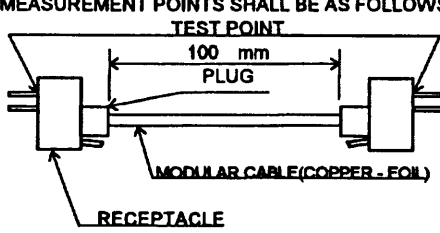
APPLICABLE STANDARD				
RATING	OPERATING TEMPERATURE RANGE	-25 °C TO 60 °C	STORAGE TEMPERATURE RANGE	— °C TO — °C
	VOLTAGE	125 V AC	CURRENT	500 mA

SPECIFICATIONS

ITEM	TEST METHOD	REQUIREMENTS	QT	AT
------	-------------	--------------	----	----

CONSTRUCTION				
GENERAL EXAMINATION	VISUALLY AND BY MEASURING INSTRUMENT.	ACCORDING TO DRAWING.	○	○
MARKING	CONFIRMED VISUALLY.		○	○

ELECTRIC CHARACTERISTICS

CONTACT RESISTANCE	100 mA DC (OR 1000 Hz AC). MEASUREMENT POINTS SHALL BE AS FOLLOWS. 	200 mΩ MAX.	○	○
INSULATION RESISTANCE	100 V DC.	100 MΩ MIN.	○	○
VOLTAGE PROOF	500 V AC FOR 1 min.	NO FLASHOVER OR BREAKDOWN.	○	○


FOR REFERENCE ONLY
Subject to change without notice

MECHANICAL CHARACTERISTICS

MECHANICAL OPERATION	200 TIMES INSERTIONS AND EXTRACTIONS.	① CONTACT RESISTANCE: 220 mΩ MAX. ② NO DAMAGE, CRACK AND LOOSENESS, OF PARTS.	○	—
VIBRATION	FREQUENCY 10 TO 55 Hz, SINGLE AMPLITUDE 0.75 mm, — m/s ² AT 2 h, FOR 3 DIRECTIONS.	① NO ELECTRICAL DISCONTINUITY OF 5 μs. ② CONTACT RESISTANCE: 220 mΩ MAX.	○	—
SHOCK	490 m/s ² DIRECTIONS OF PULSE 11 ms AT 3 TIME FOR 3 DIRECTION.	③ NO DAMAGE, CRACK AND LOOSENESS, OF PARTS.	○	—

ENVIRONMENTAL CHARACTERISTICS

DAMP HEAT (STEADY STATE)	EXPOSED AT 60 °C, 90 TO 95 %, 500 h.	① CONTACT RESISTANCE: 220 mΩ MAX. ② INSULATION RESISTANCE: 1 MΩ MIN. (AT HIGH HUMIDITY) ③ INSULATION RESISTANCE: 10 MΩ MIN. (AT DRY) ④ NO DAMAGE, CRACK AND LOOSENESS, OF PARTS.	○	—
RAPID CHANGE OF TEMPERATURE	TEMPERATURE: -55±3 → 5 TO 35 → 85±2 → 5 TO 35 °C TIME: 30 TO 35 → 5 MAX → 30 TO 35 → 5 MAX min UNDER 5 CYCLES.	① CONTACT RESISTANCE: 220 mΩ MAX. ② INSULATION RESISTANCE: 100 MΩ MIN. ③ NO DAMAGE, CRACK AND LOOSENESS, OF PARTS.	○	—
CORROSION SALT MIST	EXPOSED IN 5 % SALT WATER SPRAY FOR 48 h.	① CONTACT RESISTANCE: 220 mΩ MAX. ② NO DAMAGE, CRACK AND LOOSENESS.	○	—
DIP SOLDEING CONDITION	NO FLUX MIGRATION OR DEGRADE SOLDERING UNDER THE FOLLOWING CONDITIONS. PRE-HEATING :90 TO 130 °C TEMPERATURE OF MOLTEN SOLDER :250±10°C		○	—

REMARKS	DRAWN	DESIGNED	CHECKED	APPROVED	RELEASED
	<i>J. Asu</i> 98.5.13	<i>J. Asu</i> 98.5.13	<i>H. Tanaka</i> 98.5.14	<i>H. Tanaka</i> 98.5.14	

Unless otherwise specified, refer to JIS C 5402.

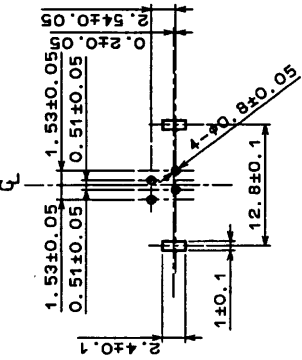
Note QT:Qualification Test AT:Assurance Test O:Applicable Test

HRS HIROSE ELECTRIC CO., LTD.	SPECIFICATION SHEET	PART NO.	TM5RJ±64
CODE NO.(OLD)	DRAWING NO.	CODE NO.	1/1
CL	ELC4-23897	CL222-1244-4	

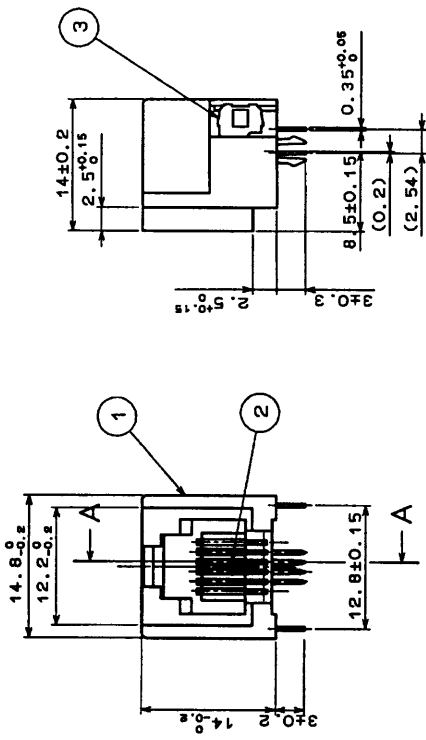
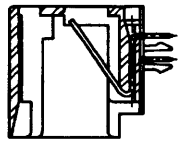
TO
Q2
USA

5	6	7	8
REVISIONS	DATE	DESCRIPTION	BY

RECOMMENDED PC BOARD HOLE PATTERN
MOUNTED CONNECTOR SIDE



A-A



FOR REFERENCE ONLY
Subject to change without notice

2	PHOSPHOR BRONZE PBT	SELECTIVE GOLD PLATED COLOR: GRAY	4	COPPER ALLOY	TIN-LEAD PLATED
1	MATERIAL	FINISH . REMARKS	3	MATERIAL	FINISH . REMARKS
DRAWING NO. EDC3-23897		DRAWN J. ASU		CHECKED H. J. JONES	APPROVED J. ASU
SCALE 2:1		DESIGNED J. ASU		RELEASED 8.30.71	
UNITS m.m		PART NO. TM5RJ1-64		USA	
HIRSE ELECTRIC CO., LTD.		CODE NO. CL222-1244-4		FORM NO. 223	

TO 02 USA