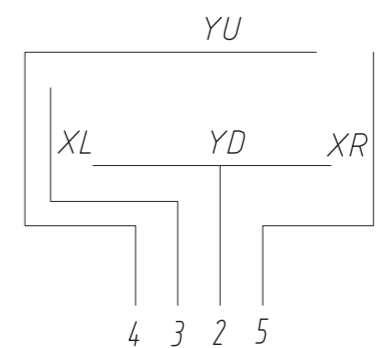
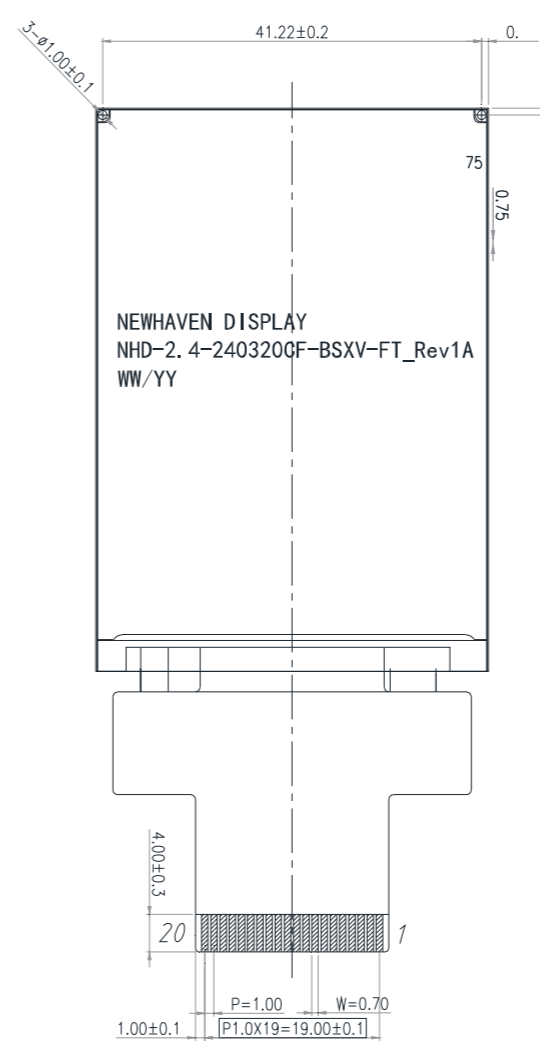
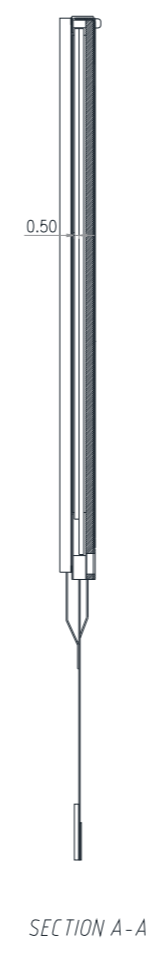
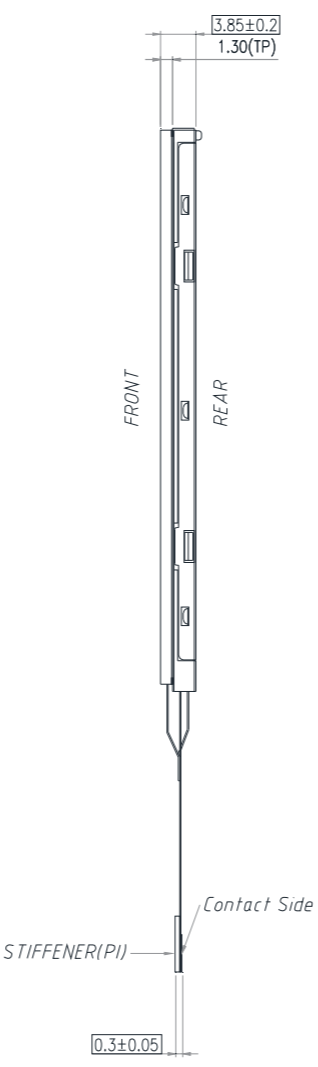
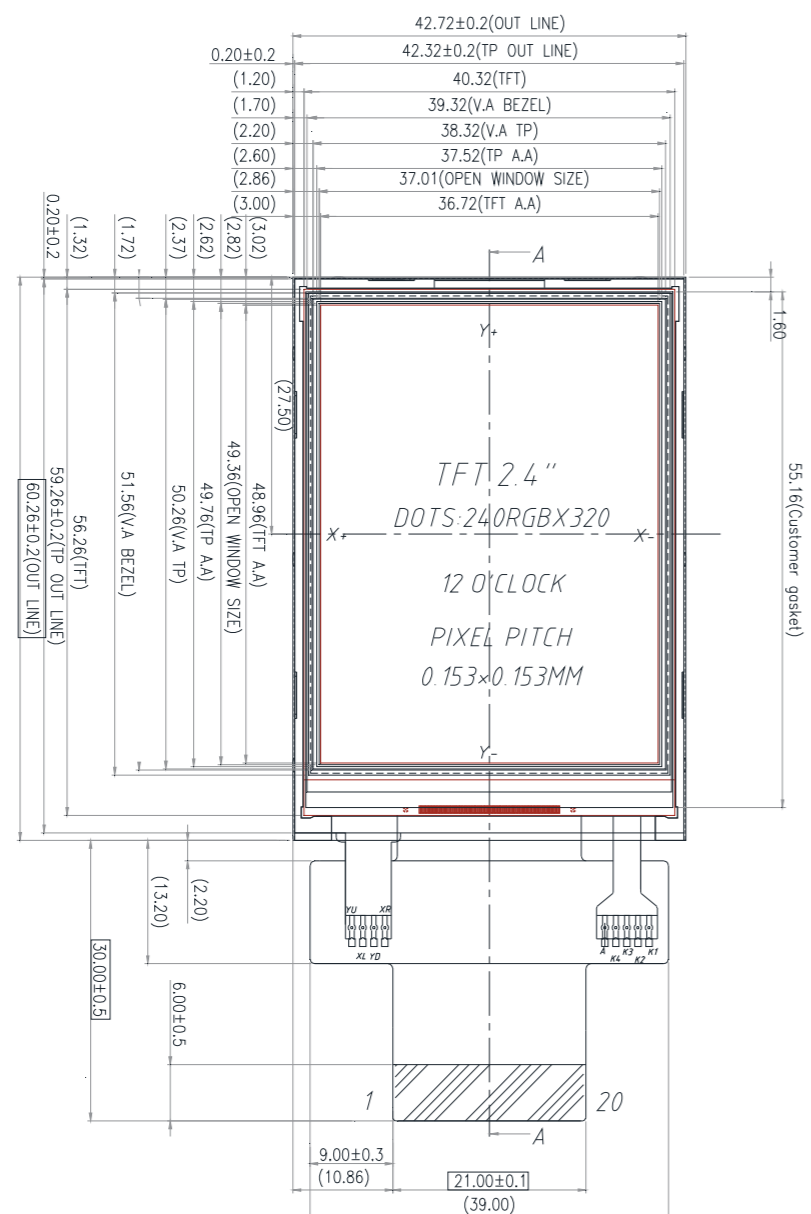
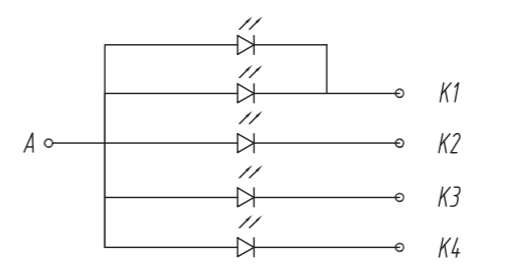


SYMBOL	REVISION	DATE



Pin No.	Symbol
1	GND
2	YD
3	XL
4	YU
5	XR
6	V <sub>DD</sub>
7	IOV <sub>DD</sub>
8	MOSI
9	MISO
10	SCLK
11	D/C
12	/CS
13	/RES
14	IM0
15	IM1
16	LED-K1
17	LED-K2
18	LED-K3
19	LED-K4
20	LED-A

- Notes:**
- Display Size: 2.4" TFT
  - Optimal View: Full View
  - Display Mode: Transmissive / Anti-Glare
  - Driver IC: ST7789Vi
  - Supply Voltage: 3.3 V
  - Backlight: White LED / 3.1V /100mA (TYP)
  - Brightness: 640 cd/m<sup>2</sup> (Typ)
  - 3M Brightness Enhancement Film



LED Source (CIRCUIT DIAGRAM)

STANDARD TOLERANCE: (UNLESS OTHERWISE SPECIFIED)  
 LINEAR: ±0.2mm

UNLESS OTHERWISE SPECIFIED:  
 - DIMENSIONS ARE IN MILLIMETERS  
 - THIRD ANGLE PROJECTION

NEWHAVEN DISPLAY INTERNATIONAL  
 DRAWING/PART NUMBER: NHD-2.4-240320CF-BSXV-FT  
 REVISION: 1A  
 SIZE: A3  
 SCALE: NS

DRAWN BY: S. Baxi  
 APPROVED BY: S. Baxi  
 DRAWN DATE: 3/4/20  
 APPROVED DATE: 3/4/20

DO NOT SCALE DRAWING  
 SHEET 1 OF 1

THIS DRAWING IS SOLELY THE PROPERTY OF NEWHAVEN DISPLAY INTERNATIONAL, INC. THE INFORMATION IT CONTAINS IS NOT TO BE DISCLOSED, REPRODUCED OR COPIED IN WHOLE OR PART WITHOUT WRITTEN APPROVAL FROM NEWHAVEN DISPLAY.