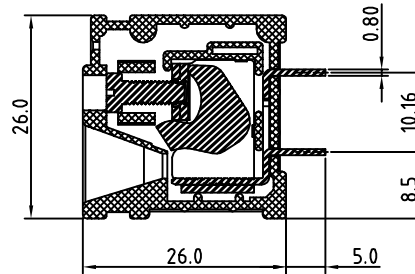
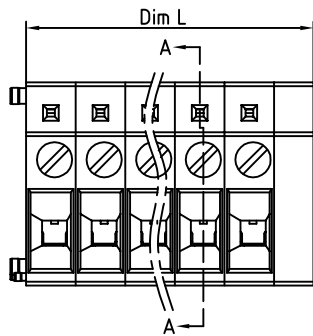
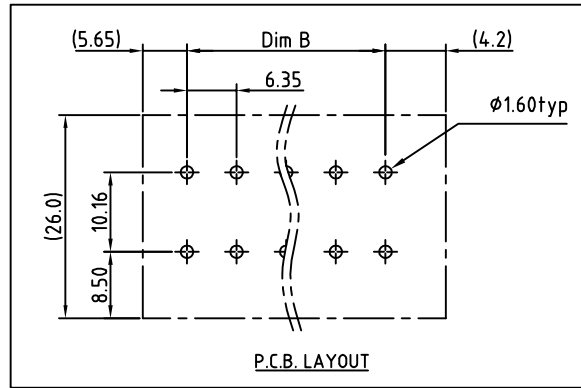
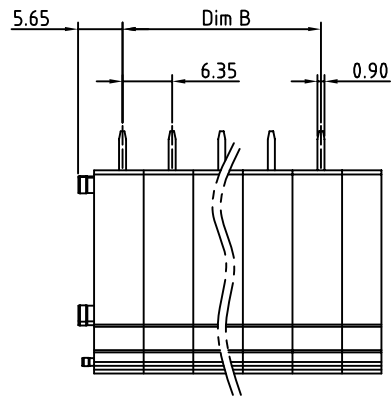


SIGN	DATE	DESCRIPTION	APPROVER
THIS IS CAD DRAWING, DO NOT REVISE MANUALLY!!!			



SECTION A-A

Material

- Terminal body: Thermoplastic (UL94V-0)
- Terminal cover: Thermoplastic (UL94V-0)
- Terminal screw: Steel Zinc plated "-" slot type
- Clamp cage: Steel, Zinc plated
- Terminal body: Steel, Zinc plated
- Solder pin: Copper, Tin plated

Electrical

- Voltage rating: 300VAC
- Current rating: 30A
- Wire range:
 - Solid wire(AWG): 10-24
 - Stranded wire(AWG): 10-24
- Torque(Lb-In): 4.3
- Screw: M3
- Wire strip length: 15-16mm
- Withstanding Voltage: 1.6KV
- Operating temperature: -40°C to +115°C
- Soldering temperature: 260°C±10°C/5 Sec
- Safety approval:

RoHS Compliant

PART NUMBER:

OSTKHXX0550

No. of Poles
 02 2 Poles
 03 3 Poles

 16 16 Poles

COLOR
 0: Black
 2: Red
 3: Orange
 4: Yellow
 5: Green (Standard)
 6: Blue
 8: Grey

Poles	01	02	03	04	05	06	07	08
Dim L	7.85	14.2	20.55	26.9	33.25	39.6	45.95	52.3
Dim B		6.35	12.70	19.05	25.40	31.75	38.10	44.45
TOL	±0.10		±0.15		±0.20		±0.25	
Poles	09	10	11	12	13	14	15	16
Dim L	58.65	65.0	71.35	77.7	84.05	90.4	96.75	103.1
Dim B	50.80	57.15	63.50	69.85	76.20	82.55	88.90	95.25
TOL	±0.30		±0.35		±0.40			

THESE DRAWINGS AND SPECIFICATIONS ARE THE PROPERTY OF ON-SHORE TECHNOLOGY, INC. AND SHALL NOT BE REPRODUCED, COPIED OR USED IN ANY MANNER WITHOUT THE PRIOR WRITTEN CONSENT OF ON-SHORE TECHNOLOGY, INC.



TITLE		OSTKH 6.35 Series 90Degree Wire inlet					
PART NO.	OSTKHXX0550			DWG NO.	OSTKHXX0550.DWG		
APPROVED	CHECKED	DESIGNED	DRAWN	CUST NO.			
		Tason 2011.06.21	Jackie 2009.05.18				
					UNIT: mm	Tolerance	
					SCALE: NONE	X.X	±0.30
				SHEET: 01/01	REV.: B	X.XX	±0.10
						X°	±1°