

REV.

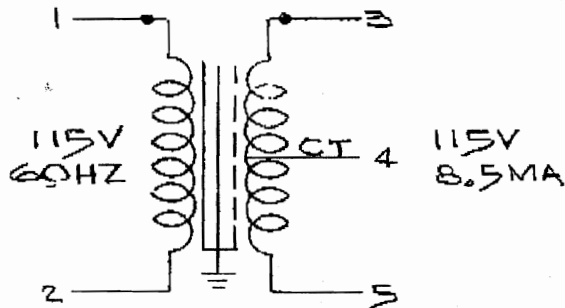
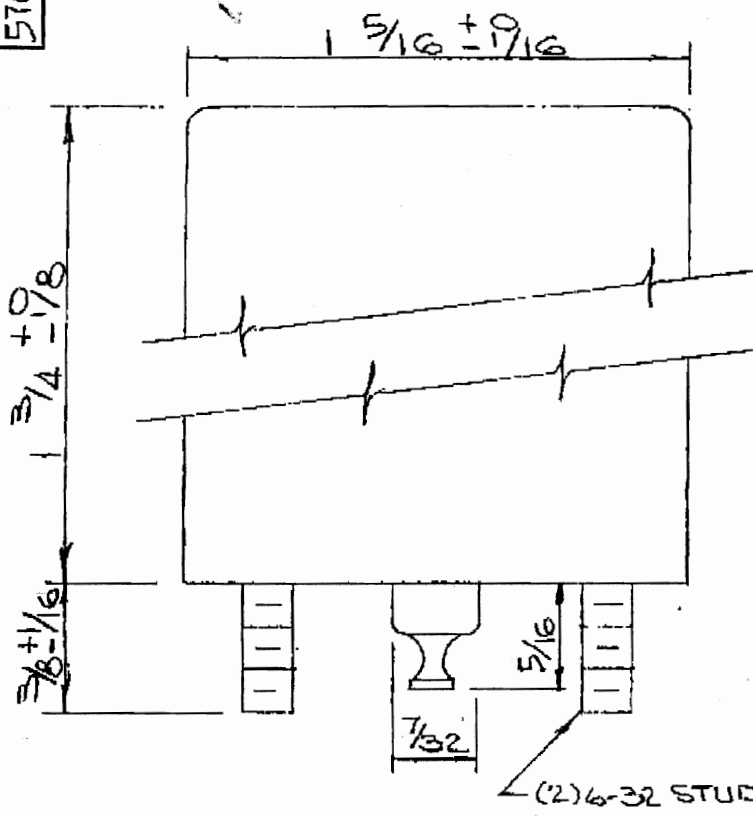
microtran COMPANY INC.

VALLEY STREAM, N.Y.
GARDENA, CALIF.

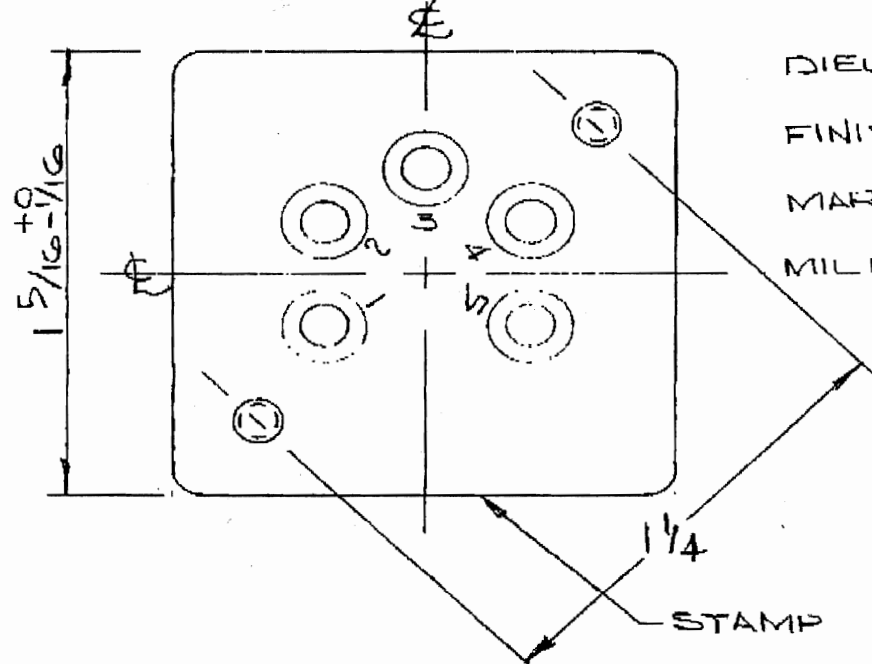
576-761

FRACTIONS ± 1/64	ANGLES ± 1/4°	SCALE
DECIMALS ± .005	HOLES ± .002	
DATE 9-26-69	BY L.P. BROWN	CKD. F.S.
		APP.

OUTLINE DWG M8094



TERMS. MOUNTED ON 5/8 DIA 60° APART



- DIELECTRIC STR- 500V RMS
- FINISH- GREY ENAMEL
- MARKING- PER MIL-T-27
- MIL DESIGNATION- TFARXOIAH

576-761 REV.