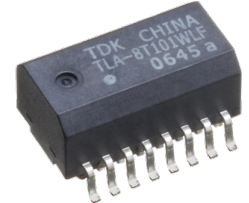


## TLA-8T103WLF-T



<b>Applications</b>	for Automotive
<b>Product Type</b>	Modules
<b>Port</b>	1
<b>System</b>	MOST
<b>Features</b>	<span style="border: 1px solid blue; padding: 2px;">AEC-Q200</span> AEC-Q200
<b>Series</b>	TLA-8T
<b>Status</b>	EOL announced Recommended Alternate Part No. : <a href="#">Contact</a> Discontinue Issue Date : Dec.3, 2019 Last Purchase Order Date : Mar.31, 2021 Last Shipment Date : Mar.31, 2022
<b>Brand</b>	TDK



Size	
Length(L)	11.60mm Max.
Width(W)	6.50mm ±0.20mm
Height(H)	5.90mm Max.

Electrical Characteristics	
Turns Ratio	[Rx] 1CT:1CT [Tx] 1CT:1.5CT
Inductance	100μH Min. at 100kHz, over Operating Temp. Range
Insertion Loss	[Rx] 1dB Max. [1 to 50MHz] [Tx] 1.5dB Max. [1 to 50MHz]
Inter-winding Stray Capacitance	25pF
Withstanding Voltage	100Vrms 50Hz/1min.

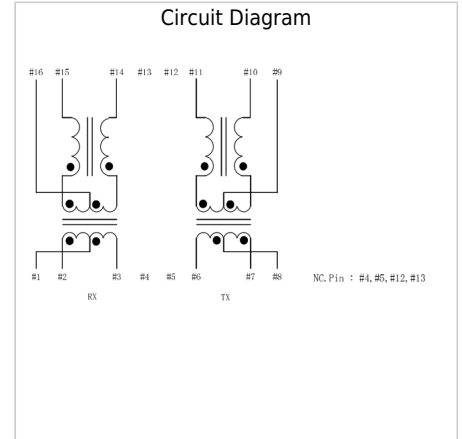
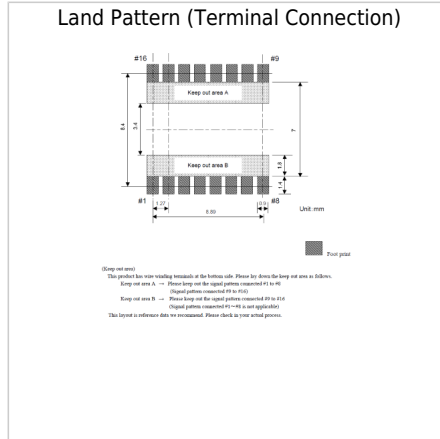
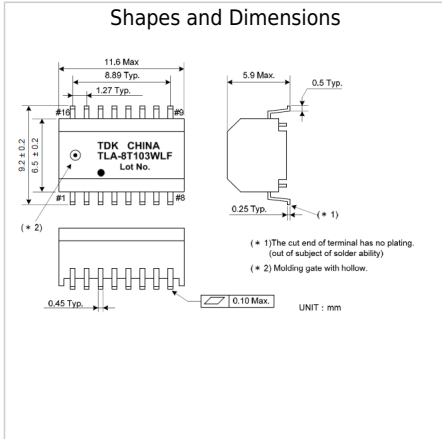
Other	
Operating Temp. Range	-40 to 85°C
AEC-Q200	Yes
Packing	Embossed (Plastic)Taping [330mm Reel, Tape width 24mm]
Package Quantity	1000pcs
Weight	0.6g

! Images are for reference only and show exemplary products.  
 ! This PDF document was created based on the data listed on the TDK Corporation website.  
 ! All specifications are subject to change without notice.

TLA-8T103WLF-T



Associated Images



! Images are for reference only and show exemplary products.  
! This PDF document was created based on the data listed on the TDK Corporation website.  
! All specifications are subject to change without notice.