

## DS34C86T Quad CMOS Differential Line Receiver

 Check for Samples: [DS34C86T](#)

### FEATURES

- **CMOS Design for Low Power**
- **$\pm 0.2\text{V}$  Sensitivity Over the Input Common Mode Voltage Range**
- **Typical Propagation Delays: 19 ns**
- **Typical Input Hysteresis: 60 mV**
- **Inputs Won't Load Line when  $V_{CC} = 0\text{V}$**
- **Meets the Requirements of EIA Standard RS-422**
- **TRI-STATE Outputs for System Bus Compatibility**
- **Available in Surface Mount**
- **Open Input Failsafe Feature, Output High for Open Input**

### DESCRIPTION

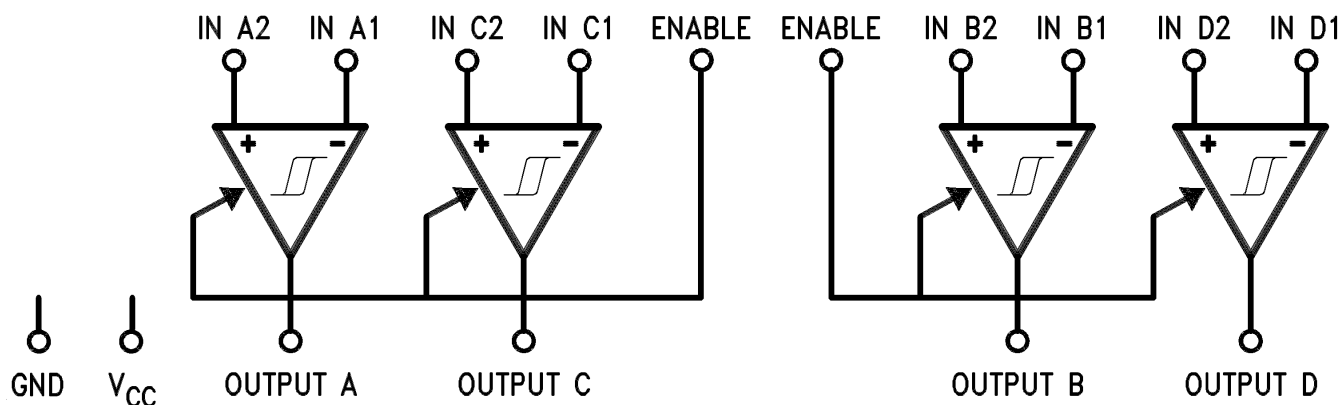
The DS34C86T is a quad differential line receiver designed to meet the RS-422, RS-423, and Federal Standards 1020 and 1030 for balanced and unbalanced digital data transmission, while retaining the low power characteristics of CMOS.

The DS34C86T has an input sensitivity of 200 mV over the common mode input voltage range of  $\pm 7\text{V}$ . Hysteresis is provided to improve noise margin and discourage output instability for slowly changing input waveforms.

The DS34C86T features internal pull-up and pull-down resistors which prevent output oscillation on unused channels.

Separate enable pins allow independent control of receiver pairs. The TRI-STATE outputs have 6 mA source and sink capability. The DS34C86T is pin compatible with the DS3486.

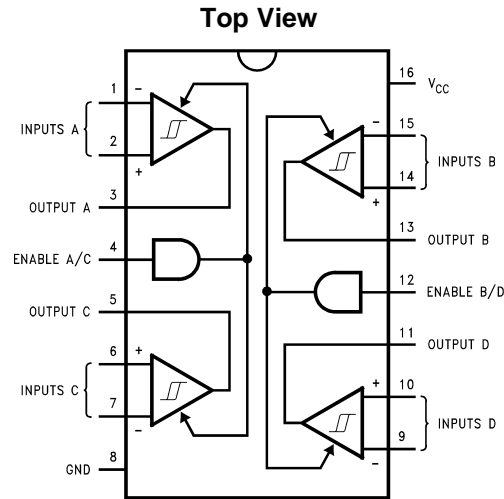
### Logic Diagram



Please be aware that an important notice concerning availability, standard warranty, and use in critical applications of Texas Instruments semiconductor products and disclaimers thereto appears at the end of this data sheet.

All trademarks are the property of their respective owners.

## Connection Diagram



**Figure 1. PDIP Package**  
See Package Numbers D0016A or NFG0016E

### Truth Table<sup>(1)</sup>

| Enable | Input                      | Output |
|--------|----------------------------|--------|
| L      | X                          | Z      |
| H      | $V_{ID} \geq V_{TH}$ (Max) | H      |
| H      | $V_{ID} \leq V_{TH}$ (Min) | L      |
| H      | Open*                      | H      |

(1) Open, not terminated. Z = TRI-STATE



These devices have limited built-in ESD protection. The leads should be shorted together or the device placed in conductive foam during storage or handling to prevent electrostatic damage to the MOS gates.

### Absolute Maximum Ratings<sup>(1)(2)(3)(4)</sup>

|   |                                   |
|---|-----------------------------------|
| Supply Voltage ( $V_{CC}$ )                               | 7V                                |
| Input Common Mode Range ( $V_{CM}$ )                      | $\pm 14V$                         |
| Differential Input Voltage ( $V_{DIFF}$ )                 | $\pm 14V$                         |
| Enable Input Voltage ( $V_{IN}$ )                         | 7V                                |
| Storage Temperature Range ( $T_{STG}$ )                   | $-65^{\circ}C$ to $+150^{\circ}C$ |
| Lead Temperature (Soldering 4 sec)                        | $260^{\circ}C$                    |
| Maximum Power Dissipation at $25^{\circ}C$ <sup>(5)</sup> |                                   |
| PDIP Package  | 1645 mW                           |
| SOIC Package  | 1190 mW                           |
| Current Per Output  | $\pm 25$ mA                       |
| This device does not meet 2000V ESD rating <sup>(1)</sup> |                                   |

- (1) ESD Rating; HBM (1.5k $\Omega$ , 100 pF) Inputs  $\geq 2000V$  All other pins  $\geq 1000V$  EIAJ (0 $\Omega$ , 200 pF)  $\geq 350V$
- (2) Unless otherwise specified, all voltages are referenced to ground.
- (3) Absolute Maximum Ratings are values beyond which the safety of the device cannot be specified. They are not meant to imply that the device should be operated at these limits. The "Electrical Characteristics" provide conditions for actual device operation.
- (4) If Military/Aerospace specified devices are required, please contact the TI Sales Office/Distributors for availability and specifications.
- (5) Ratings apply to ambient temperature at  $25^{\circ}C$ . Above this temperature derate NFG0016E Package 13.16 mW/ $^{\circ}C$ , and D0016A Package 9.52 mW/ $^{\circ}C$ .

## Operating Conditions

|                                       | Min  | Max  | Unit |
|---------------------------------------|------|------|------|
| Supply Voltage ( $V_{CC}$ )           | 4.50 | 5.50 | V    |
| Operating Temperature Range ( $T_A$ ) | -40  | +85  | °C   |
| Enable Input Rise or Fall Times       |      | 500  | ns   |

## DC Electrical Characteristics<sup>(1)</sup>

 $V_{CC} = 5V \pm 10\%$  (unless otherwise specified)

| Parameter  |  | Test Conditions  | Min  | Typ       | Max       | Units         |
|------------|--|--|------|-----------|-----------|---------------|
| $V_{TH}$   | Minimum Differential Input Voltage       | $V_{OUT} = V_{OH}$ or $V_{OL}$<br>$-7V < V_{CM} < +7V$                     | -200 | 35        | +200      | mV            |
| $R_{IN}$   | Input Resistance                         | $V_{IN} = -7V, +7V$<br>(Other Input = GND)                                 | 5.0  | 6.8       | 10        | k $\Omega$    |
| $I_{IN}$   | Input Current (Under Test)               | $V_{IN} = +10V$ , Other Input = GND  |      | +1.1      | +1.5      | mA            |
|            |  | $V_{IN} = -10V$ , Other Input = GND  |      | -2.0      | -2.5      | mA            |
| $V_{OH}$   | Minimum High Level Output Voltage        | $V_{CC} = \text{Min.}$ , $V_{(DIFF)} = +1V$<br>$I_{OUT} = -6.0 \text{ mA}$ | 3.8  | 4.2       |           | V             |
| $V_{OL}$   | Maximum Low Level Output Voltage         | $V_{CC} = \text{Max.}$ , $V_{(DIFF)} = -1V$<br>$I_{OUT} = 6.0 \text{ mA}$  |      | 0.2       | 0.3       | V             |
| $V_{IH}$   | Minimum Enable High Input Level Voltage  |  | 2.0  |           |           | V             |
| $V_{IL}$   | Maximum Enable Low Input Level Voltage   |  |      |           | 0.8       | V             |
| $I_{OZ}$   | Maximum TRI-STATE Output Leakage Current | $V_{OUT} = V_{CC}$ or GND,<br>TRI-STATE Control = $V_{IL}$                 |      | $\pm 0.5$ | $\pm 5.0$ | $\mu\text{A}$ |
| $I_I$      | Maximum Enable Input Current             | $V_{IN} = V_{CC}$ or GND   |      |           | $\pm 1.0$ | $\mu\text{A}$ |
| $I_{CC}$   | Quiescent Power Supply Current           | $V_{CC} = \text{Max.}$ , $V_{(DIFF)} = +1V$                                |      | 16        | 23        | mA            |
| $V_{HYST}$ | Input Hysteresis                         | $V_{CM} = 0V$  |      | 60        |           | mV            |

(1) Unless otherwise specified, Min/Max limits apply across the operating temperature range. All typicals are given for  $V_{CC} = 5V$  and  $T_A = 25^\circ\text{C}$ .

## AC Electrical Characteristics<sup>(1)</sup>

 $V_{CC} = 5V \pm 10\%$  (unless otherwise specified) (Figure 2, Figure 3, Figure 4)

| Parameter                  |                                    | Test Conditions  | Min | Typ | Max | Units |
|----------------------------|------------------------------------|--|-----|-----|-----|-------|
| $t_{PLH}$ ,<br>$t_{PHL}$   | Propagation Delay Input to Output  | $C_L = 50 \text{ pF}$<br>$V_{DIFF} = 2.5V$<br>$V_{CM} = 0V$      |     | 19  | 30  | ns    |
| $t_{RISE}$ ,<br>$t_{FALL}$ | Output Rise and Fall Times         | $C_L = 50 \text{ pF}$<br>$V_{DIFF} = 2.5V$<br>$V_{CM} = 0V$      |     | 4   | 9   | ns    |
| $t_{PLZ}$ ,<br>$t_{PHZ}$   | Propagation Delay ENABLE to Output | $C_L = 50 \text{ pF}$<br>$R_L = 1000\Omega$<br>$V_{DIFF} = 2.5V$ |     | 13  | 18  | ns    |
| $t_{PZL}$ ,<br>$t_{PZH}$   | Propagation Delay ENABLE to Output | $C_L = 50 \text{ pF}$<br>$R_L = 1000\Omega$<br>$V_{DIFF} = 2.5V$ |     | 13  | 21  | ns    |

(1) Unless otherwise specified, Min/Max limits apply across the operating temperature range. All typicals are given for  $V_{CC} = 5V$  and  $T_A = 25^\circ\text{C}$ .

### Comparison Table of Switching Characteristics into “LS-Type” Load<sup>(1)</sup>

V<sub>CC</sub> = 5V, T<sub>A</sub> = 25°C (Figure 5, Figure 6)

| Parameter           |  | DS34C86 |     | DS3486 |     | Units |
|---------------------|--|---------|-----|--------|-----|-------|
|                     |  | Typ     | Max | Typ    | Max |       |
| t <sub>PHL(D)</sub> | Propagation Delay Time<br>Output High to Low | 17      |     | 19     |     | ns    |
| t <sub>PLH(D)</sub> | Propagation Delay Time<br>Output Low to High | 19      |     | 19     |     | ns    |
| t <sub>PLZ</sub>    | Output Low to TRI-STATE                      | 13      |     | 23     |     | ns    |
| t <sub>PHZ</sub>    | Output High to TRI-STATE                     | 12      |     | 25     |     | ns    |
| t <sub>PZH</sub>    | Output TRI-STATE to High                     | 13      |     | 18     |     | ns    |
| t <sub>PZL</sub>    | Output TRI-STATE to Low                      | 13      |     | 20     |     | ns    |

(1) This table is provided for comparison purposes only. The values in this table for the DS34C86 reflect the performance of the device but are not tested or specified.

### TEST AND SWITCHING WAVEFORMS

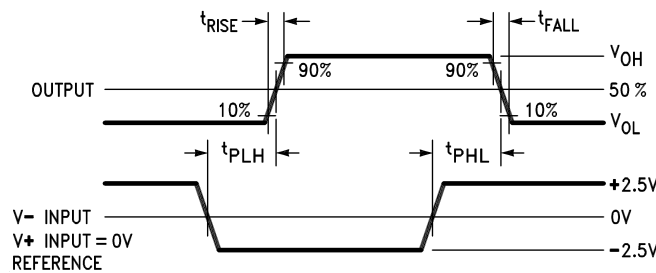
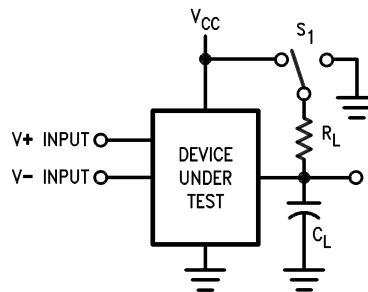


Figure 2. Propagation Delays



C<sub>L</sub> Includes load and test jig capacitance.  
 S1 = V<sub>CC</sub> for t<sub>PZL</sub>, and t<sub>PLZ</sub> measurements.  
 S1 = GND for t<sub>PZH</sub>, and t<sub>PHZ</sub> measurements.

Figure 3. Test Circuit for TRI-STATE Output Tests

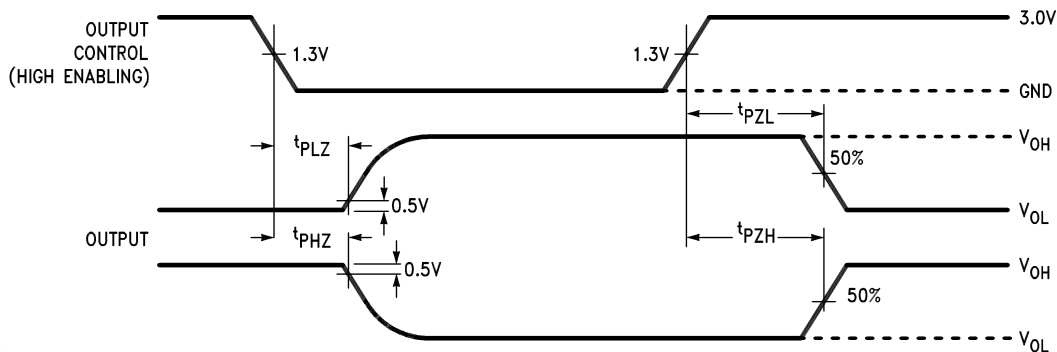
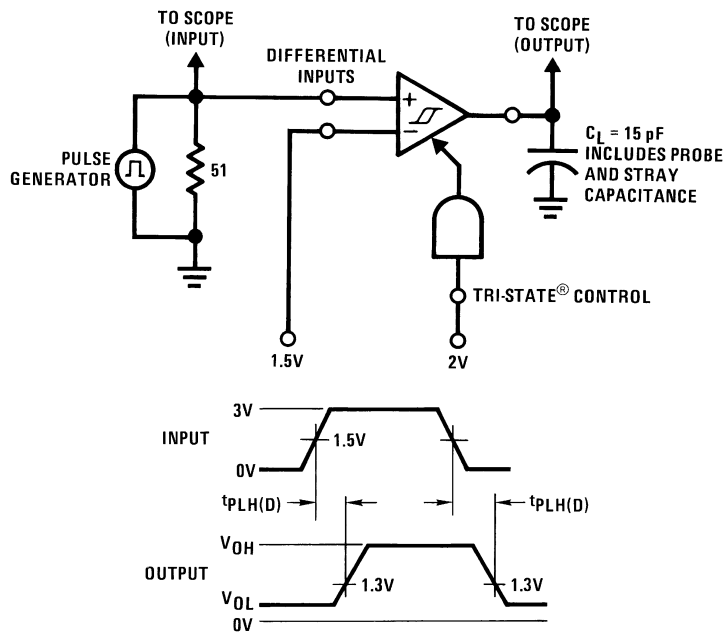


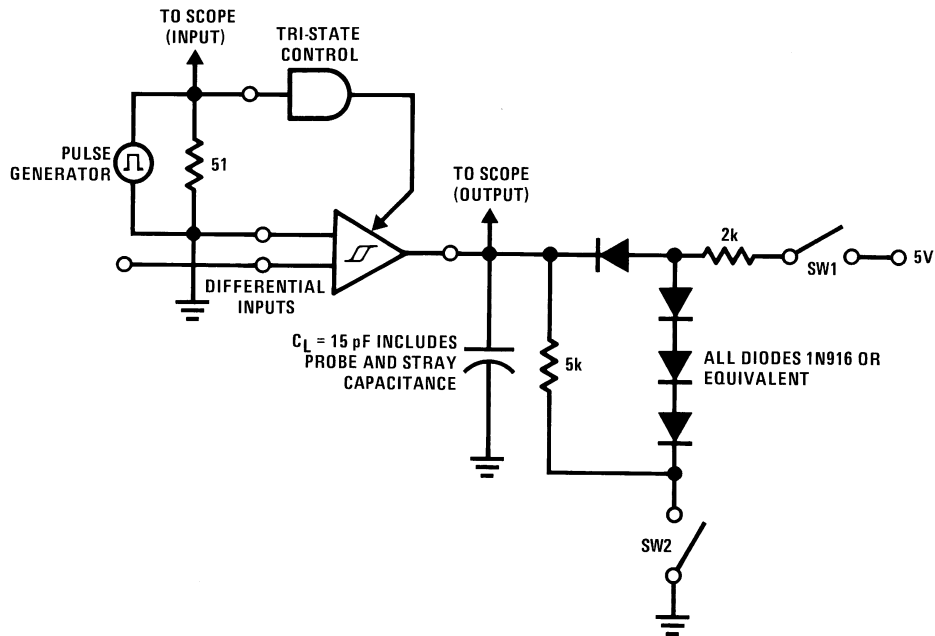
Figure 4. TRI-STATE Output Enable and Disable Waveforms

AC Test Circuits and Switching Time Waveforms



Input Pulse Characteristics:  
 $t_{TLH} = t_{THL} = 6 \text{ ns}$  (10% to 90%)  
 PRR = 1 MHz, 50% duty cycle

Figure 5. Propagation Delay Differential Input to Output for “LS-Type” Load



1.5V for  $t_{pHZ}$  and  $t_{pLZ}$   
 -1.5V for  $t_{pLZ}$  and  $t_{pZL}$   
 Input Pulse Characteristics:  
 $t_{TLH} = t_{THL} = 6$  ns (10% to 90%)  
 PRR = 1 MHz, 50% duty cycle

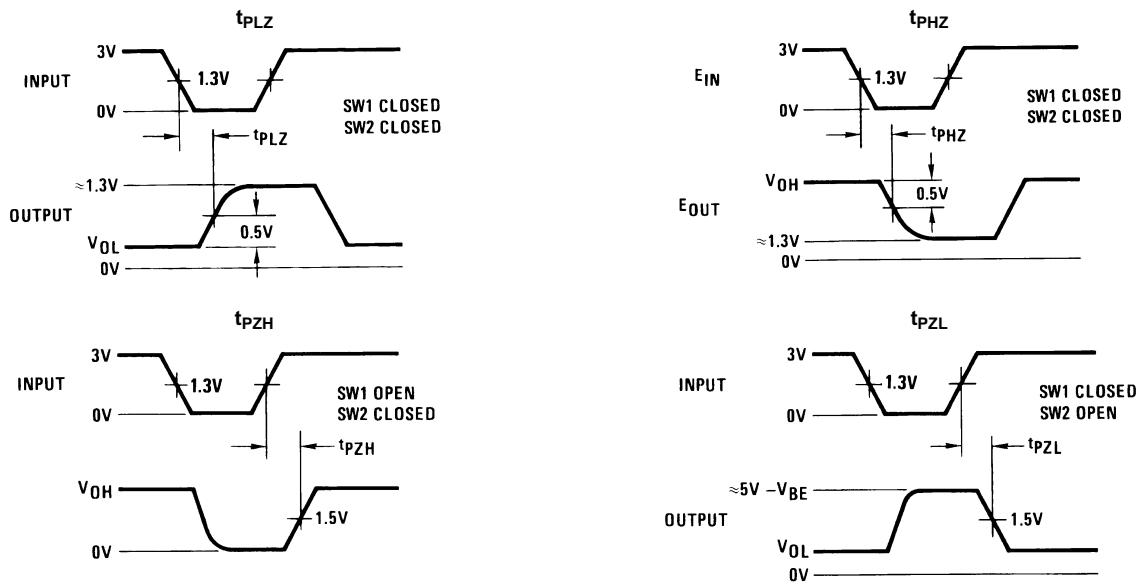




Figure 6. Propagation Delay TRI-STATE Control Unit to Output for “LS-Type” Load

---

**REVISION HISTORY**

| <b>Changes from Revision B (April 2013) to Revision C</b>  | <b>Page</b>    |
|--|----------------|
| <hr/> <ul style="list-style-type: none"><li>• Changed layout of National Data Sheet to TI format .....</li></ul> | <hr/> <b>6</b> |

**PACKAGING INFORMATION**

| Orderable Device | Status<br>(1) | Package Type | Package Drawing | Pins | Package Qty | Eco Plan<br>(2)         | Lead/Ball Finish<br>(6) | MSL Peak Temp<br>(3) | Op Temp (°C) | Device Marking<br>(4/5) | Samples   |
|------------------|---------------|--------------|-----------------|------|-------------|-------------------------|-------------------------|----------------------|--------------|-------------------------|---|
| DS34C86TM        | LIFEBUY       | SOIC         | D               | 16   | 48          | TBD                     | Call TI                 | Call TI              | -40 to 85    | DS34C86TM               |   |
| DS34C86TM/NOPB   | ACTIVE        | SOIC         | D               | 16   | 48          | Green (RoHS & no Sb/Br) | CU SN                   | Level-1-260C-UNLIM   | -40 to 85    | DS34C86TM               |  |
| DS34C86TMX       | LIFEBUY       | SOIC         | D               | 16   | 2500        | TBD                     | Call TI                 | Call TI              | -40 to 85    | DS34C86TM               |   |
| DS34C86TMX/NOPB  | ACTIVE        | SOIC         | D               | 16   | 2500        | Green (RoHS & no Sb/Br) | CU SN                   | Level-1-260C-UNLIM   | -40 to 85    | DS34C86TM               |  |

(1) The marketing status values are defined as follows:

**ACTIVE:** Product device recommended for new designs.

**LIFEBUY:** TI has announced that the device will be discontinued, and a lifetime-buy period is in effect.

**NRND:** Not recommended for new designs. Device is in production to support existing customers, but TI does not recommend using this part in a new design.

**PREVIEW:** Device has been announced but is not in production. Samples may or may not be available.

**OBSELETE:** TI has discontinued the production of the device.

(2) **RoHS:** TI defines "RoHS" to mean semiconductor products that are compliant with the current EU RoHS requirements for all 10 RoHS substances, including the requirement that RoHS substance do not exceed 0.1% by weight in homogeneous materials. Where designed to be soldered at high temperatures, "RoHS" products are suitable for use in specified lead-free processes. TI may reference these types of products as "Pb-Free".

**RoHS Exempt:** TI defines "RoHS Exempt" to mean products that contain lead but are compliant with EU RoHS pursuant to a specific EU RoHS exemption.

**Green:** TI defines "Green" to mean the content of Chlorine (Cl) and Bromine (Br) based flame retardants meet JS709B low halogen requirements of <=1000ppm threshold. Antimony trioxide based flame retardants must also meet the <=1000ppm threshold requirement.

(3) MSL, Peak Temp. - The Moisture Sensitivity Level rating according to the JEDEC industry standard classifications, and peak solder temperature.

(4) There may be additional marking, which relates to the logo, the lot trace code information, or the environmental category on the device.

(5) Multiple Device Markings will be inside parentheses. Only one Device Marking contained in parentheses and separated by a "~" will appear on a device. If a line is indented then it is a continuation of the previous line and the two combined represent the entire Device Marking for that device.

(6) Lead/Ball Finish - Orderable Devices may have multiple material finish options. Finish options are separated by a vertical ruled line. Lead/Ball Finish values may wrap to two lines if the finish value exceeds the maximum column width.

**Important Information and Disclaimer:**The information provided on this page represents TI's knowledge and belief as of the date that it is provided. TI bases its knowledge and belief on information provided by third parties, and makes no representation or warranty as to the accuracy of such information. Efforts are underway to better integrate information from third parties. TI has taken and continues to take reasonable steps to provide representative and accurate information but may not have conducted destructive testing or chemical analysis on incoming materials and chemicals. TI and TI suppliers consider certain information to be proprietary, and thus CAS numbers and other limited information may not be available for release.



In no event shall TI's liability arising out of such information exceed the total purchase price of the TI part(s) at issue in this document sold by TI to Customer on an annual basis.

## TAPE AND REEL INFORMATION



### QUADRANT ASSIGNMENTS FOR PIN 1 ORIENTATION IN TAPE



\*All dimensions are nominal

| Device          | Package Type | Package Drawing | Pins | SPQ  | Reel Diameter (mm) | Reel Width W1 (mm) | A0 (mm) | B0 (mm) | K0 (mm) | P1 (mm) | W (mm) | Pin1 Quadrant |
|-----------------|--------------|-----------------|------|------|--------------------|--------------------|---------|---------|---------|---------|--------|---------------|
| DS34C86TMX/NOPB | SOIC         | D               | 16   | 2500 | 330.0              | 16.4               | 6.5     | 10.3    | 2.3     | 8.0     | 16.0   | Q1            |

**TAPE AND REEL BOX DIMENSIONS**



\*All dimensions are nominal

| Device          | Package Type | Package Drawing | Pins | SPQ  | Length (mm) | Width (mm) | Height (mm) |
|-----------------|--------------|-----------------|------|------|-------------|------------|-------------|
| DS34C86TMX/NOPB | SOIC         | D               | 16   | 2500 | 367.0       | 367.0      | 35.0        |

D (R-PDSO-G16)

PLASTIC SMALL OUTLINE



4040047-6/M 06/11

- NOTES:
- A. All linear dimensions are in inches (millimeters).
  - B. This drawing is subject to change without notice.
  - C. Body length does not include mold flash, protrusions, or gate burrs. Mold flash, protrusions, or gate burrs shall not exceed 0.006 (0,15) each side.
  - D. Body width does not include interlead flash. Interlead flash shall not exceed 0.017 (0,43) each side.
  - E. Reference JEDEC MS-012 variation AC.

## IMPORTANT NOTICE

Texas Instruments Incorporated (TI) reserves the right to make corrections, enhancements, improvements and other changes to its semiconductor products and services per JESD46, latest issue, and to discontinue any product or service per JESD48, latest issue. Buyers should obtain the latest relevant information before placing orders and should verify that such information is current and complete.

TI's published terms of sale for semiconductor products (<http://www.ti.com/sc/docs/stdterms.htm>) apply to the sale of packaged integrated circuit products that TI has qualified and released to market. Additional terms may apply to the use or sale of other types of TI products and services.

Reproduction of significant portions of TI information in TI data sheets is permissible only if reproduction is without alteration and is accompanied by all associated warranties, conditions, limitations, and notices. TI is not responsible or liable for such reproduced documentation. Information of third parties may be subject to additional restrictions. Resale of TI products or services with statements different from or beyond the parameters stated by TI for that product or service voids all express and any implied warranties for the associated TI product or service and is an unfair and deceptive business practice. TI is not responsible or liable for any such statements.

Buyers and others who are developing systems that incorporate TI products (collectively, "Designers") understand and agree that Designers remain responsible for using their independent analysis, evaluation and judgment in designing their applications and that Designers have full and exclusive responsibility to assure the safety of Designers' applications and compliance of their applications (and of all TI products used in or for Designers' applications) with all applicable regulations, laws and other applicable requirements. Designer represents that, with respect to their applications, Designer has all the necessary expertise to create and implement safeguards that (1) anticipate dangerous consequences of failures, (2) monitor failures and their consequences, and (3) lessen the likelihood of failures that might cause harm and take appropriate actions. Designer agrees that prior to using or distributing any applications that include TI products, Designer will thoroughly test such applications and the functionality of such TI products as used in such applications.

TI's provision of technical, application or other design advice, quality characterization, reliability data or other services or information, including, but not limited to, reference designs and materials relating to evaluation modules, (collectively, "TI Resources") are intended to assist designers who are developing applications that incorporate TI products; by downloading, accessing or using TI Resources in any way, Designer (individually or, if Designer is acting on behalf of a company, Designer's company) agrees to use any particular TI Resource solely for this purpose and subject to the terms of this Notice.

TI's provision of TI Resources does not expand or otherwise alter TI's applicable published warranties or warranty disclaimers for TI products, and no additional obligations or liabilities arise from TI providing such TI Resources. TI reserves the right to make corrections, enhancements, improvements and other changes to its TI Resources. TI has not conducted any testing other than that specifically described in the published documentation for a particular TI Resource.

Designer is authorized to use, copy and modify any individual TI Resource only in connection with the development of applications that include the TI product(s) identified in such TI Resource. NO OTHER LICENSE, EXPRESS OR IMPLIED, BY ESTOPPEL OR OTHERWISE TO ANY OTHER TI INTELLECTUAL PROPERTY RIGHT, AND NO LICENSE TO ANY TECHNOLOGY OR INTELLECTUAL PROPERTY RIGHT OF TI OR ANY THIRD PARTY IS GRANTED HEREIN, including but not limited to any patent right, copyright, mask work right, or other intellectual property right relating to any combination, machine, or process in which TI products or services are used. Information regarding or referencing third-party products or services does not constitute a license to use such products or services, or a warranty or endorsement thereof. Use of TI Resources may require a license from a third party under the patents or other intellectual property of the third party, or a license from TI under the patents or other intellectual property of TI.

TI RESOURCES ARE PROVIDED "AS IS" AND WITH ALL FAULTS. TI DISCLAIMS ALL OTHER WARRANTIES OR REPRESENTATIONS, EXPRESS OR IMPLIED, REGARDING RESOURCES OR USE THEREOF, INCLUDING BUT NOT LIMITED TO ACCURACY OR COMPLETENESS, TITLE, ANY EPIDEMIC FAILURE WARRANTY AND ANY IMPLIED WARRANTIES OF MERCHANTABILITY, FITNESS FOR A PARTICULAR PURPOSE, AND NON-INFRINGEMENT OF ANY THIRD PARTY INTELLECTUAL PROPERTY RIGHTS. TI SHALL NOT BE LIABLE FOR AND SHALL NOT DEFEND OR INDEMNIFY DESIGNER AGAINST ANY CLAIM, INCLUDING BUT NOT LIMITED TO ANY INFRINGEMENT CLAIM THAT RELATES TO OR IS BASED ON ANY COMBINATION OF PRODUCTS EVEN IF DESCRIBED IN TI RESOURCES OR OTHERWISE. IN NO EVENT SHALL TI BE LIABLE FOR ANY ACTUAL, DIRECT, SPECIAL, COLLATERAL, INDIRECT, PUNITIVE, INCIDENTAL, CONSEQUENTIAL OR EXEMPLARY DAMAGES IN CONNECTION WITH OR ARISING OUT OF TI RESOURCES OR USE THEREOF, AND REGARDLESS OF WHETHER TI HAS BEEN ADVISED OF THE POSSIBILITY OF SUCH DAMAGES.

Unless TI has explicitly designated an individual product as meeting the requirements of a particular industry standard (e.g., ISO/TS 16949 and ISO 26262), TI is not responsible for any failure to meet such industry standard requirements.

Where TI specifically promotes products as facilitating functional safety or as compliant with industry functional safety standards, such products are intended to help enable customers to design and create their own applications that meet applicable functional safety standards and requirements. Using products in an application does not by itself establish any safety features in the application. Designers must ensure compliance with safety-related requirements and standards applicable to their applications. Designer may not use any TI products in life-critical medical equipment unless authorized officers of the parties have executed a special contract specifically governing such use. Life-critical medical equipment is medical equipment where failure of such equipment would cause serious bodily injury or death (e.g., life support, pacemakers, defibrillators, heart pumps, neurostimulators, and implantables). Such equipment includes, without limitation, all medical devices identified by the U.S. Food and Drug Administration as Class III devices and equivalent classifications outside the U.S.

TI may expressly designate certain products as completing a particular qualification (e.g., Q100, Military Grade, or Enhanced Product). Designers agree that it has the necessary expertise to select the product with the appropriate qualification designation for their applications and that proper product selection is at Designers' own risk. Designers are solely responsible for compliance with all legal and regulatory requirements in connection with such selection.

Designer will fully indemnify TI and its representatives against any damages, costs, losses, and/or liabilities arising out of Designer's non-compliance with the terms and provisions of this Notice.