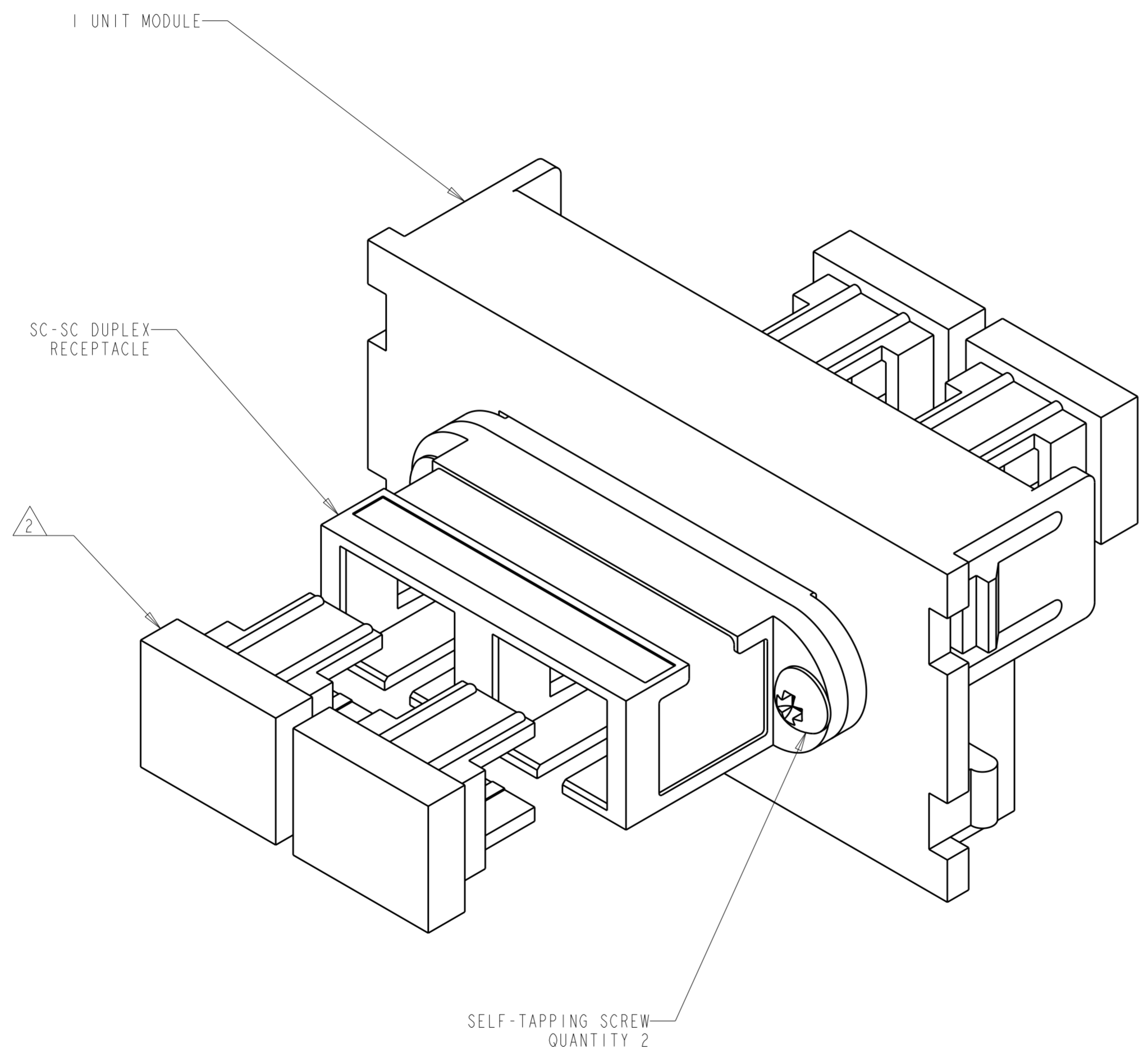


THIS DRAWING IS UNPUBLISHED. RELEASED FOR PUBLICATION  
 © COPYRIGHT 20 BY - ALL RIGHTS RESERVED.

REVISIONS				
P	LTR	DESCRIPTION	DATE	APVD
C		REV; ECO-15-004537	24MAR2015	GG RA
D		REV; ECO-15-005866	17APR2015	GG RA
E		REV; ECO-15-006998	07MAY2015	GG RA

- 1 MATERIAL: MODULE - ABS MOLDING COMPOUND, 94V-0 RATED.  
RECEPTACLE - PPE MOLDING COMPOUND, 94V-0 RATED.  
DUST COVERS - THERMOPLASTIC RUBBER, BLACK.  
SCREWS - ZINC PLATED CARBON STEEL.
- 2 DUST COVERS SHIPPED ASSEMBLED.



NEMA GRAY	1375123-4
WHITE	1375123-3
BLACK	1375123-2
LIGHT ALMOND	1375123-1
COLOR	PART NUMBER

THIS DRAWING IS A CONTROLLED DOCUMENT.		DWN G. GARRETT 27APR00	TE Connectivity	
DIMENSIONS: mm [ INCHES ]		CHK G. BOWMAN 27APR00		
TOLERANCES UNLESS OTHERWISE SPECIFIED:		APVD G. BOWMAN 27APR00		
0 PLC ± 1 PLC ± 2 PLC ± 3 PLC ± 4 PLC ± ANGLES ± FINISH -		PRODUCT SPEC - APPLICATION SPEC - WEIGHT -		
MATERIAL		NAME MODULE ASSEMBLY, SC-SC STYLE DUPLEX RECEPTACLE, 1 UNIT, SL SERIES		RESTRICTED TO
		SIZE A2	CAGE CODE 00779	DRAWING NO G-1375123
Customer Drawing		SCALE 2:1	SHEET 1	REV E