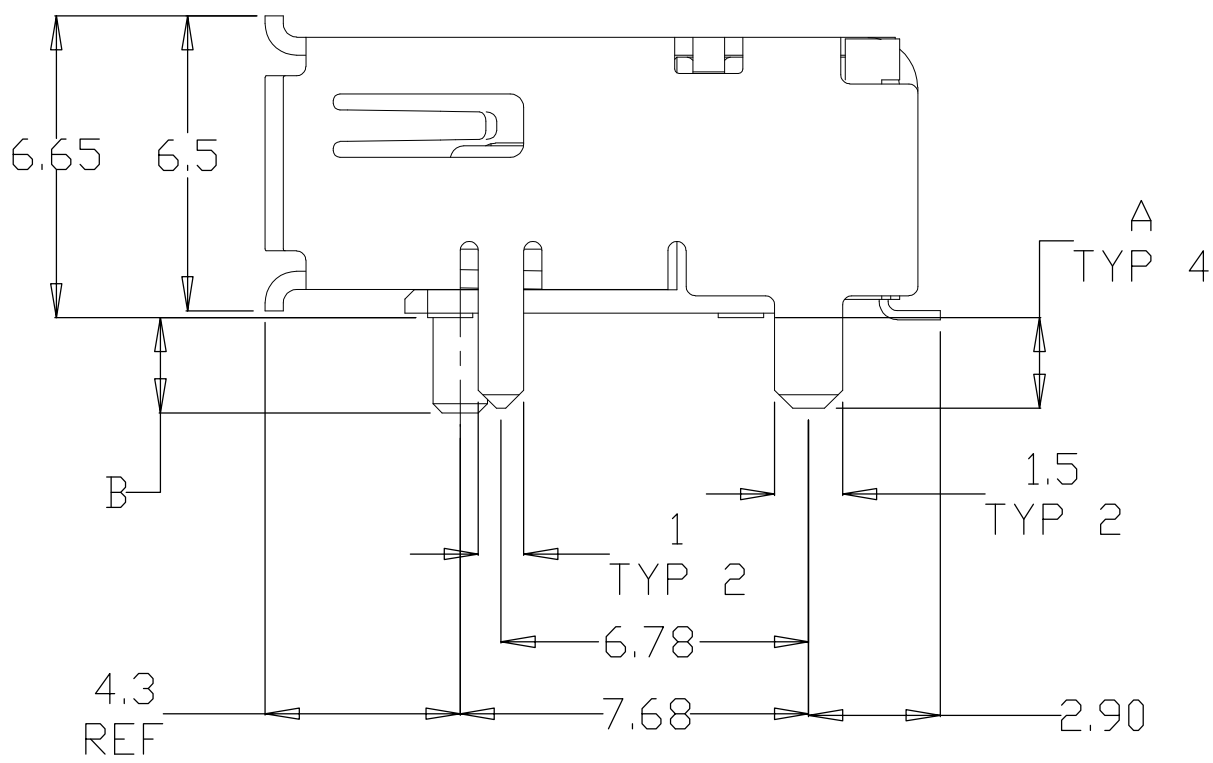
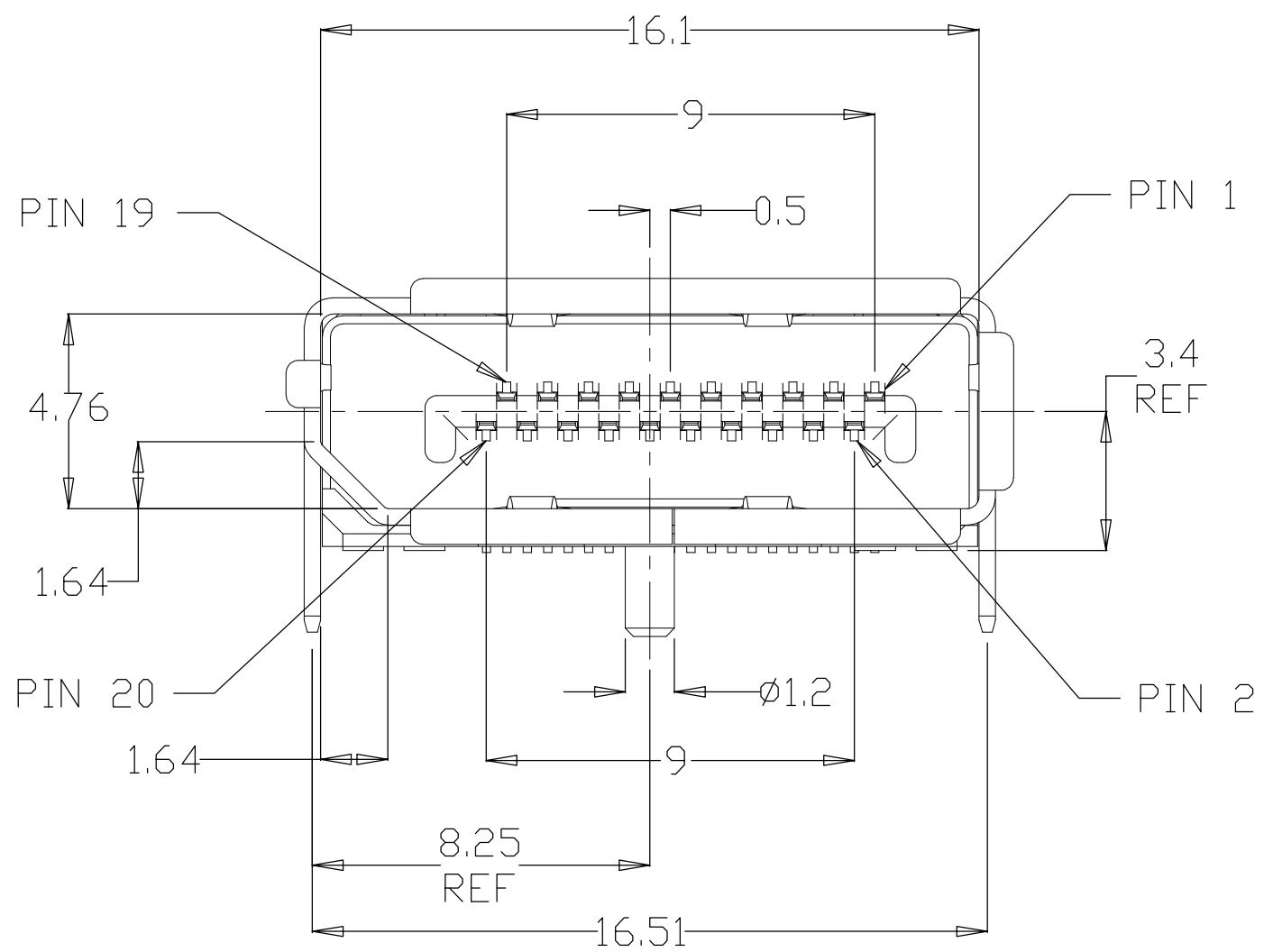
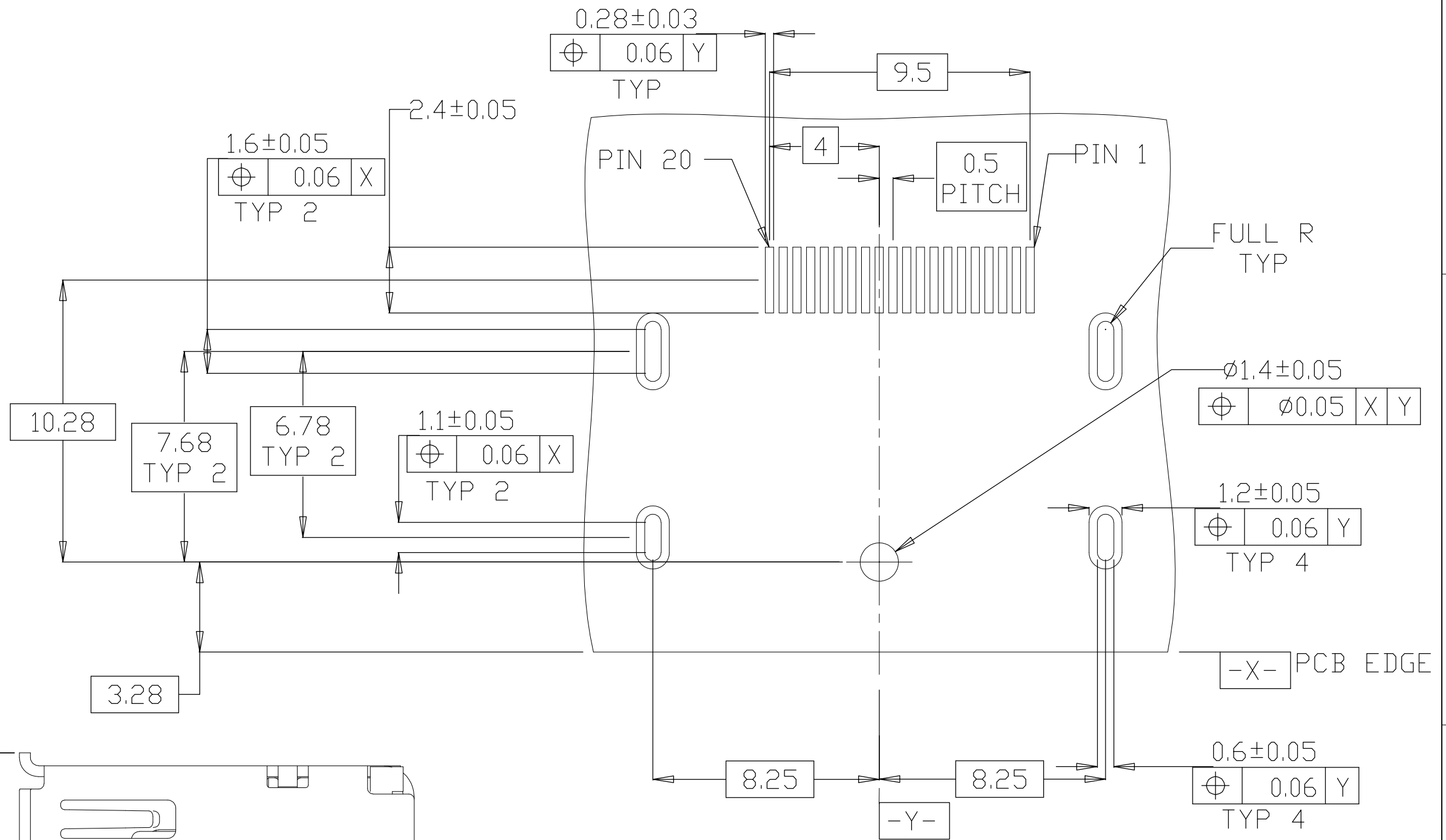
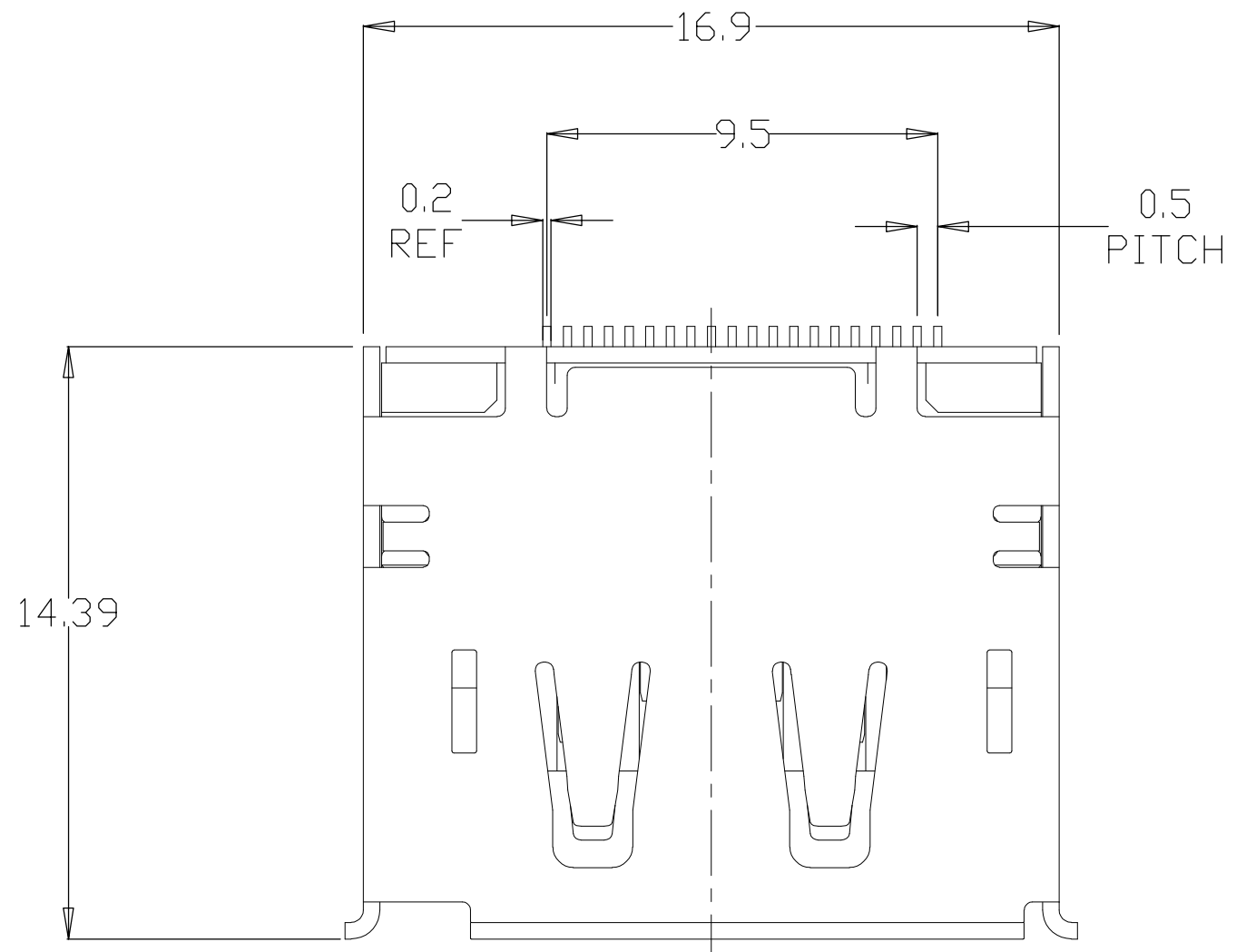
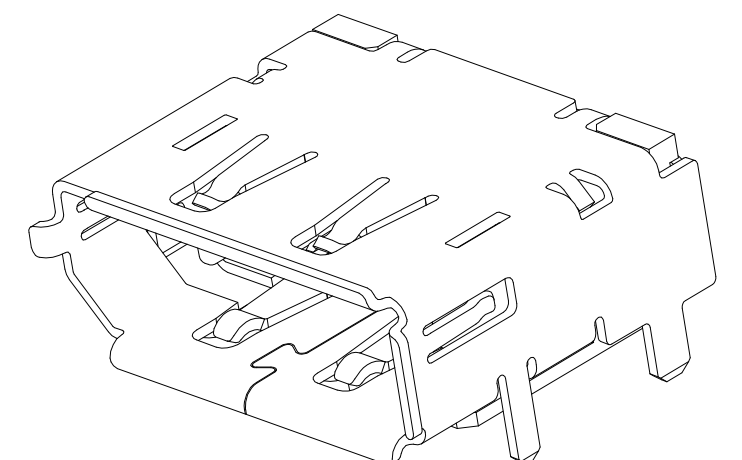


THIS DRAWING IS UNPUBLISHED. RELEASED FOR PUBLICATION  
 © COPYRIGHT By - ALL RIGHTS RESERVED.

LOC		DIST		REVISIONS			
P	LTR	DESCRIPTION		DATE	DWN	APVD	
J		A2	REVISED PER ECO-11-005030	11MAR11	RK	HMR	



RECOMMENDED PCB LAYOUT (THICKNESS=1.6±0.1)  
MOUNTING SIDE



NOTES:  
 1. MATERIAL:  
 HOUSING: HIGH TEMPERATURE THERMAL PLASTIC, BLACK, UL94V-0.  
 CONTACT: COPPER ALLOY.  
 SHELL: COPPER ALLOY.  
 2. FINISH:  
 CONTACT:  
 CONTACT AREA: 0.76 MINIMUM MICRON GOLD PLATING OVER 1.27  
 MINIMUM MICRON NICKEL PLATING ALL  
 SOLDER TAIL AREA: 2.54 MINIMUM MICRON TIN PLATING.  
 SHELL: NICKEL PLATING SOLDERABILITY IS WORSE THAN MATT TIN PLATING IN SOME CONDITION.  
 IN SUCH CASE, PLEASE SELECT MATT TIN PLATING.

MATT TIN	2.1	2	2013655-5
NICKEL	2.1	2	2013655-1
SHELL PLATING	DIM B	DIM A	PART NUMBER

P/N:2013655-1; AS SHOWN

THIS DRAWING IS A CONTROLLED DOCUMENT.		DWN	MARTIN LI	26MAY2007	 TE Connectivity RECEPTACLE ASSEMBLY EDP RA SMT STD STD
DIMENSIONS: mm		CHK	MARTIN LI	26MAY2007	
TOLERANCES UNLESS OTHERWISE SPECIFIED:		APVD	STEVEN YAO	26MAY2007	
0 PLC ± 0.3 1 PLC ± 0.3 2 PLC ± 0.3 3 PLC ± 0.3 4 PLC ± 0.3 ANGLES ± 2°		PRODUCT SPEC	NAME		
MATERIAL		APPLICATION SPEC	SIZE		RESTRICTED TO
FINISH		WEIGHT	CAGE CODE		SCALE
CUSTOMER DRAWING		A2 00779		DRAWING NO	4:1
		C=2013655		SHEET	1 OF 2
				REV	A2

4

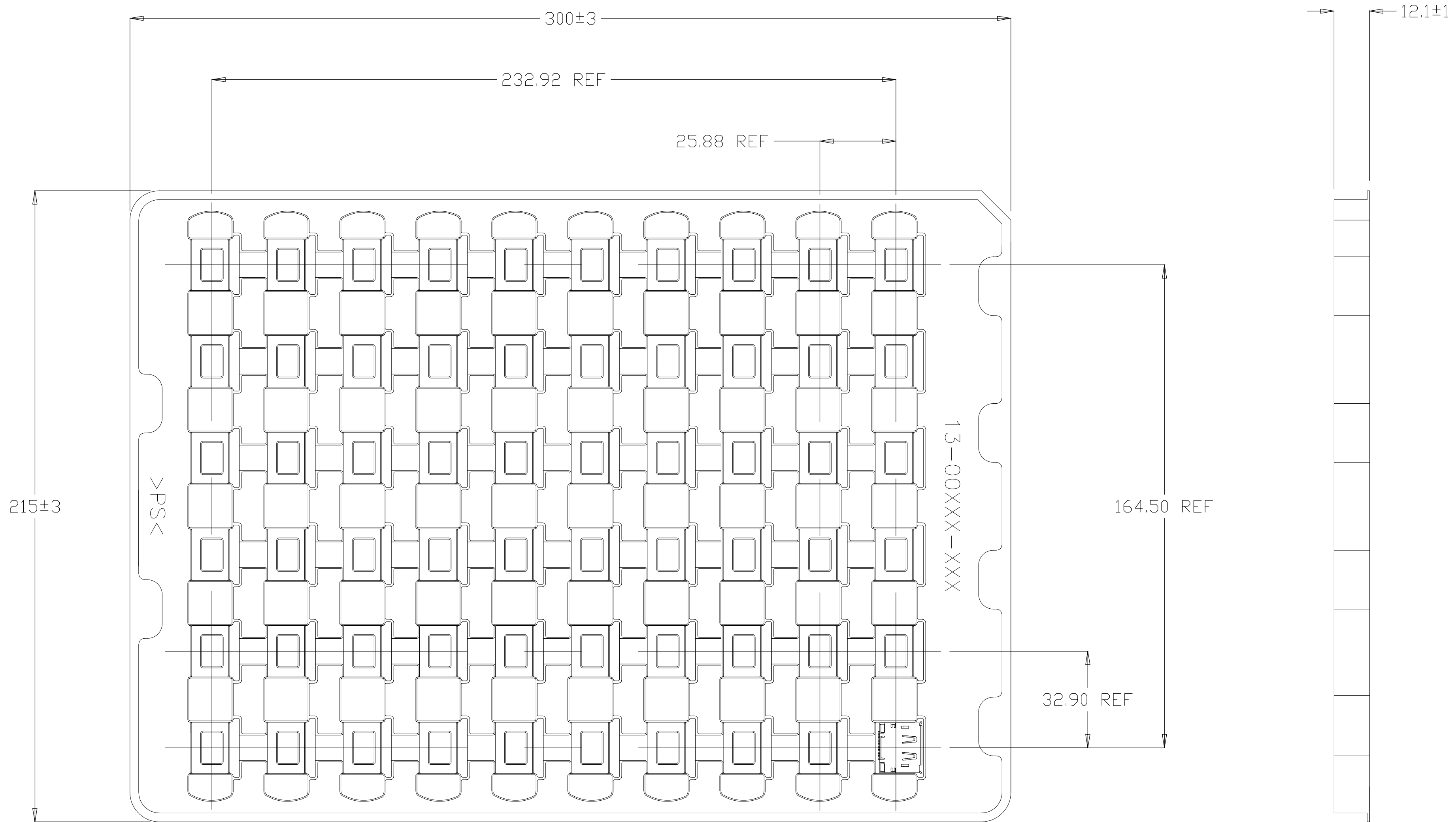
3

2

1

THIS DRAWING IS UNPUBLISHED. RELEASED FOR PUBLICATION  
 © COPYRIGHT By - ALL RIGHTS RESERVED.

LOC	DIST	REVISIONS			
P	LTR	DESCRIPTION	DATE	DWN	APVD
-	-	SEE SHEET 1	-	-	-



PACKAGE TARY

THIS DRAWING IS A CONTROLLED DOCUMENT.		DWN	TE Connectivity	
DIMENSIONS: mm		CHK	NAME	
TOLERANCES UNLESS OTHERWISE SPECIFIED		APVD	RECEPTACLE ASSEMBLY EDP RA SMT STD	
0 PLC ±		PRODUCT SPEC	SIZE	CAGE CODE
1 PLC ±		APPLICATION SPEC	A2	00779
2 PLC ±		WEIGHT	DRAWING NO	RESTRICTED TO
3 PLC ±		CUSTOMER DRAWING	C=2013655	
4 PLC ±		SCALE	SHEET	REV
ANGLES ±		FREE	2 OF 2	A2
FINISH				