

Product Change Notice (PCN)

Date: 02/13/2020

PCN Number: PCN-0450265R-01

To Our Customers:

We appreciate your use of CUI Devices products. Our commitment in maintaining and improving processes is demonstrated by plans to enhance our product quality, reliability and manufacturability. The purpose of this notice is to inform you of a product change.

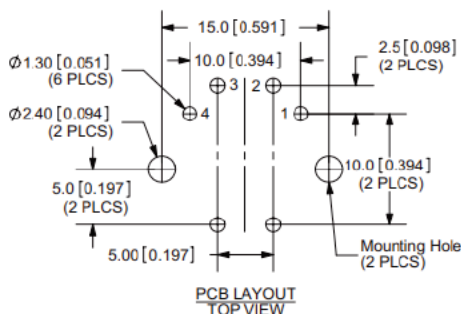
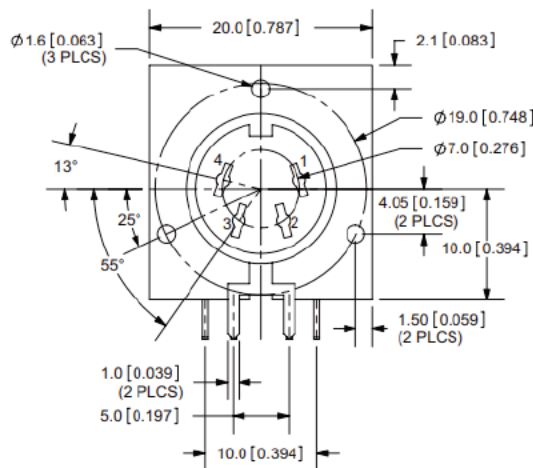
Product(s) Affected: SDS-J series (SDS-40J, SDS-50J, SDS-60J, SDS-70J, SDS-80J, SDD-130J)

Reason(s) for Change: Manufacturing build location change.

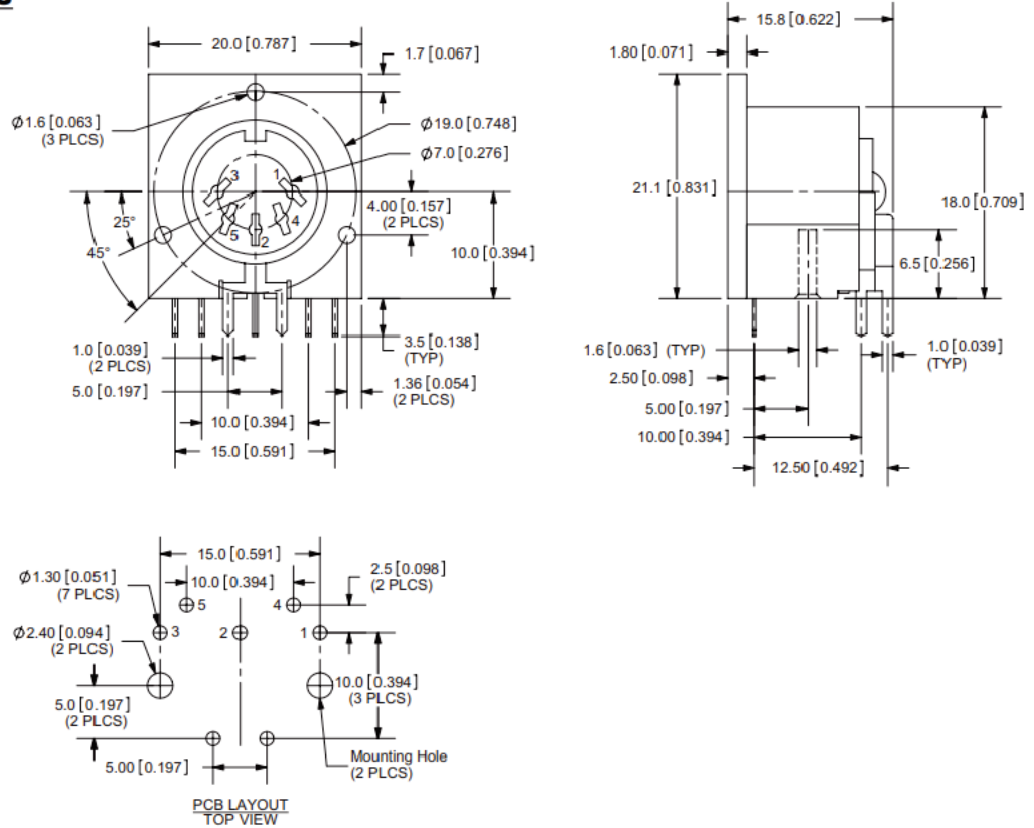
Description of Change: Dimensional changes as shown below.

Old Designs

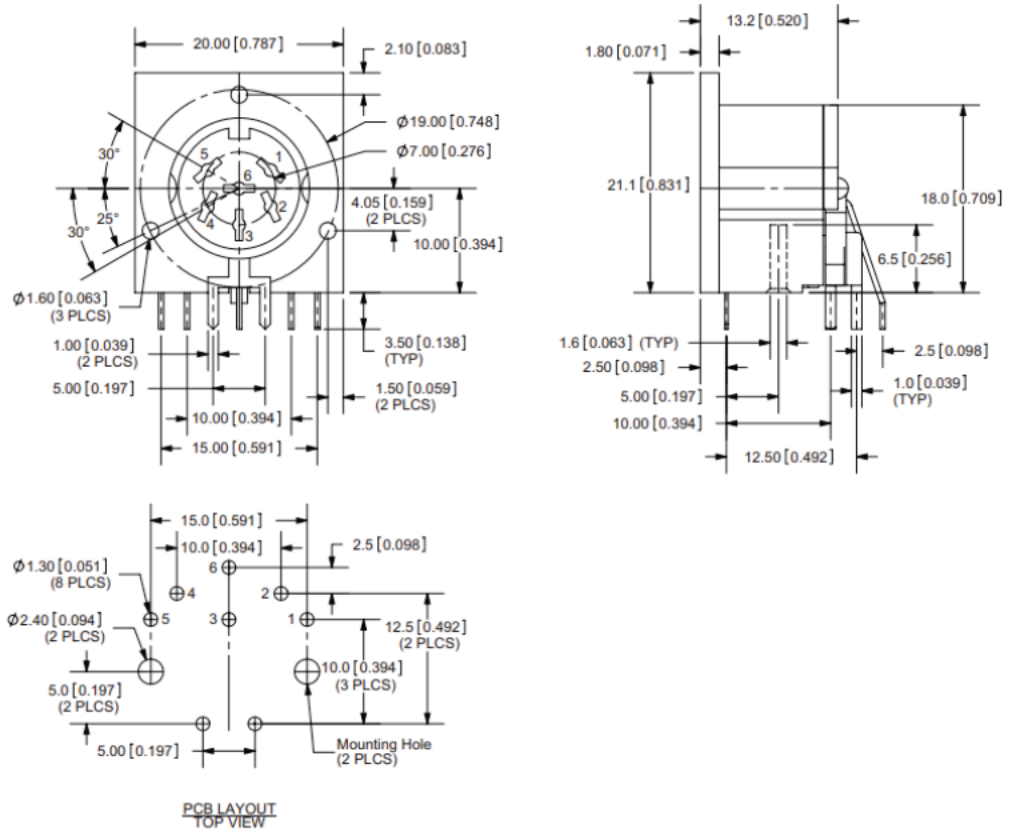
SDS-40J



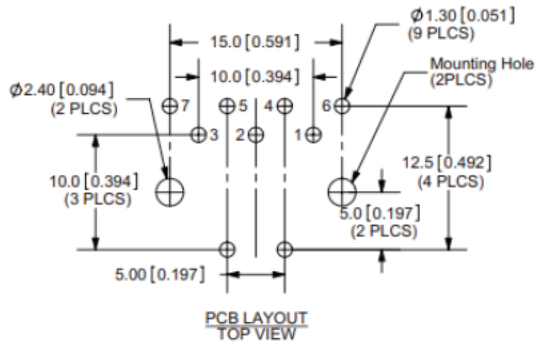
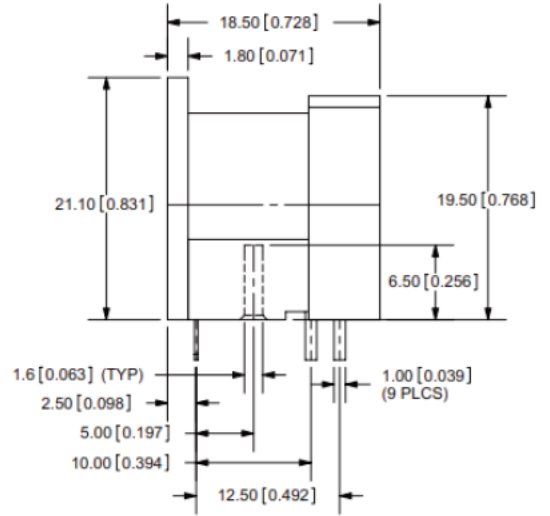
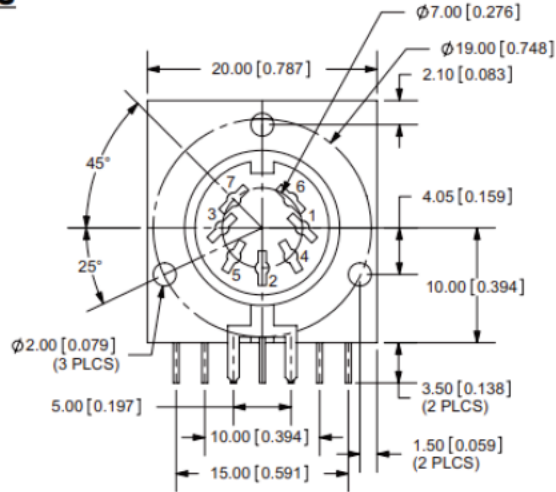
SDS-50J



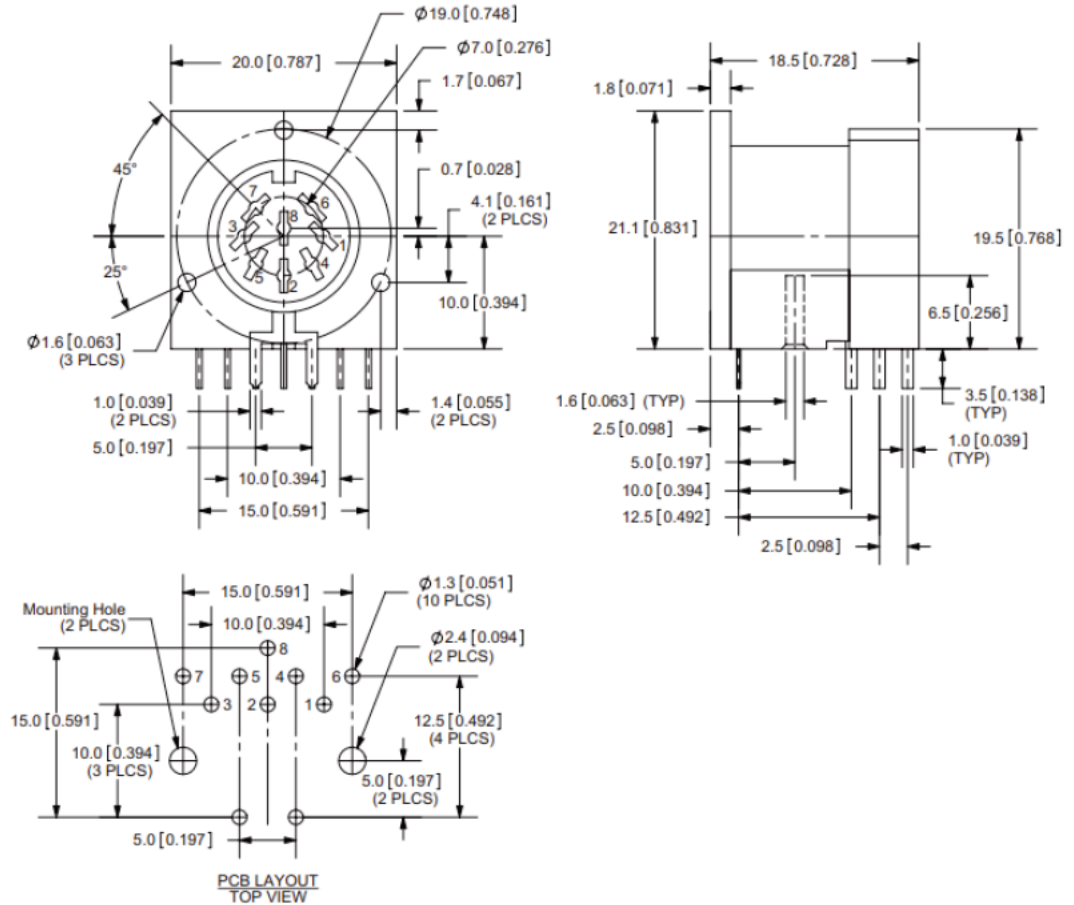
SDS-60J



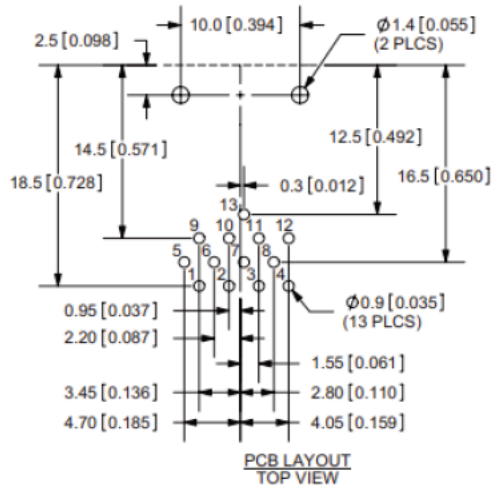
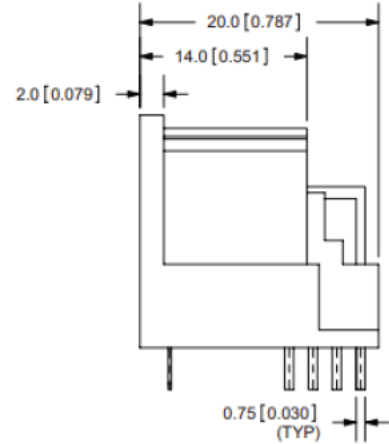
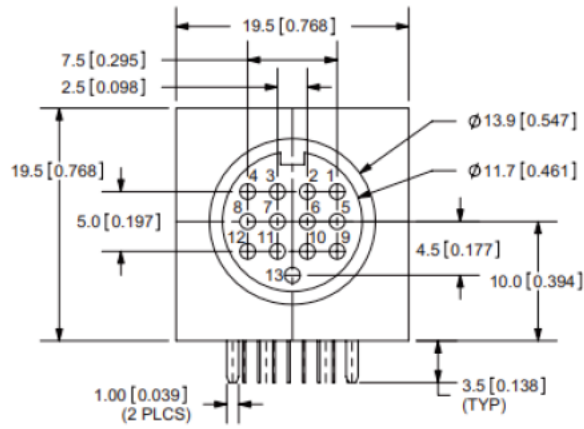
SDS-70J



SDS-80J

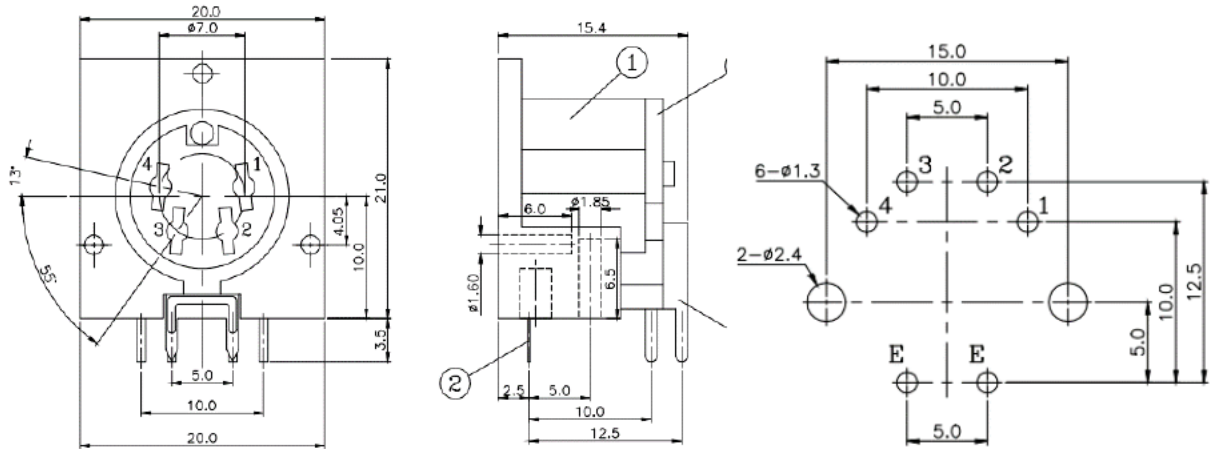


SDD-130J

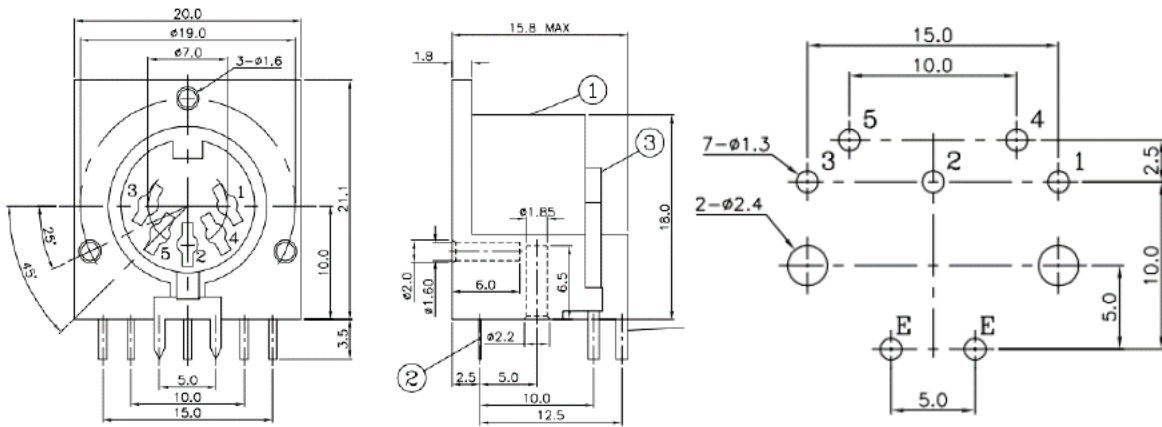


New Designs

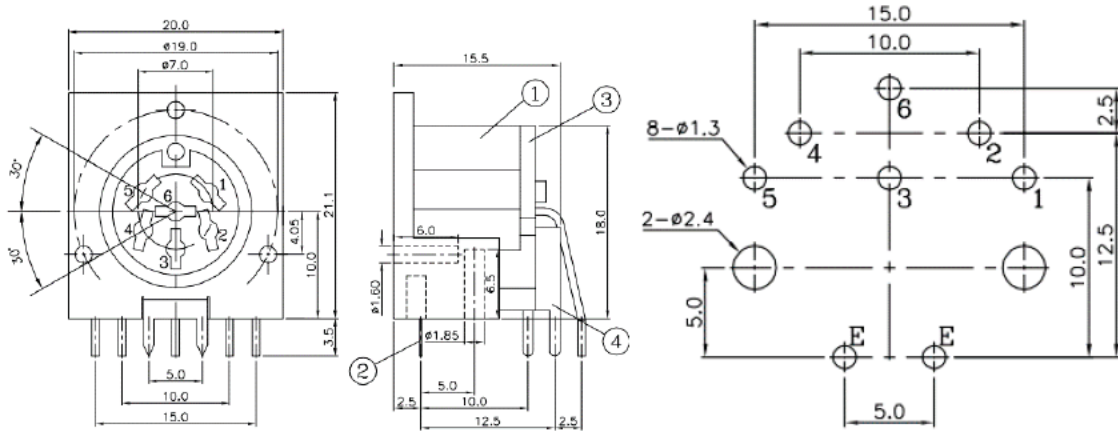
SDS-40J



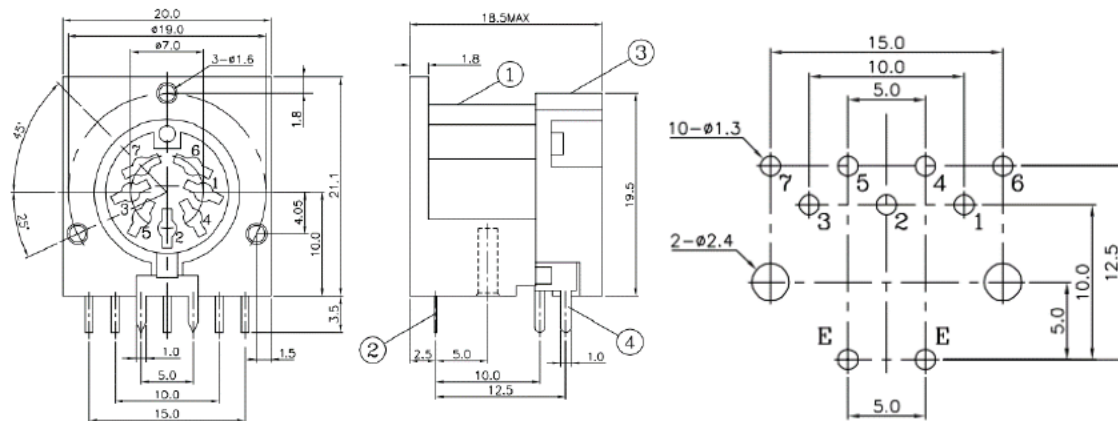
SDS-50J



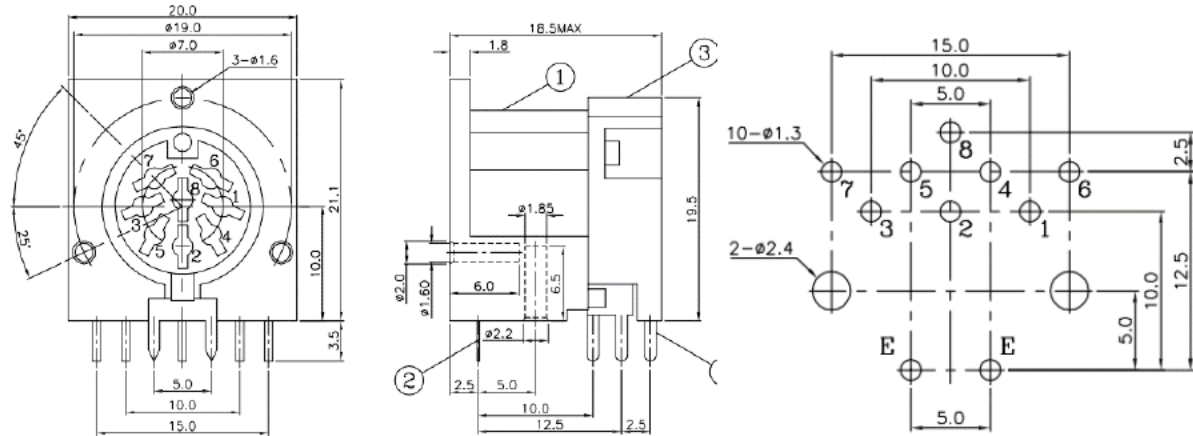
SDS-60J



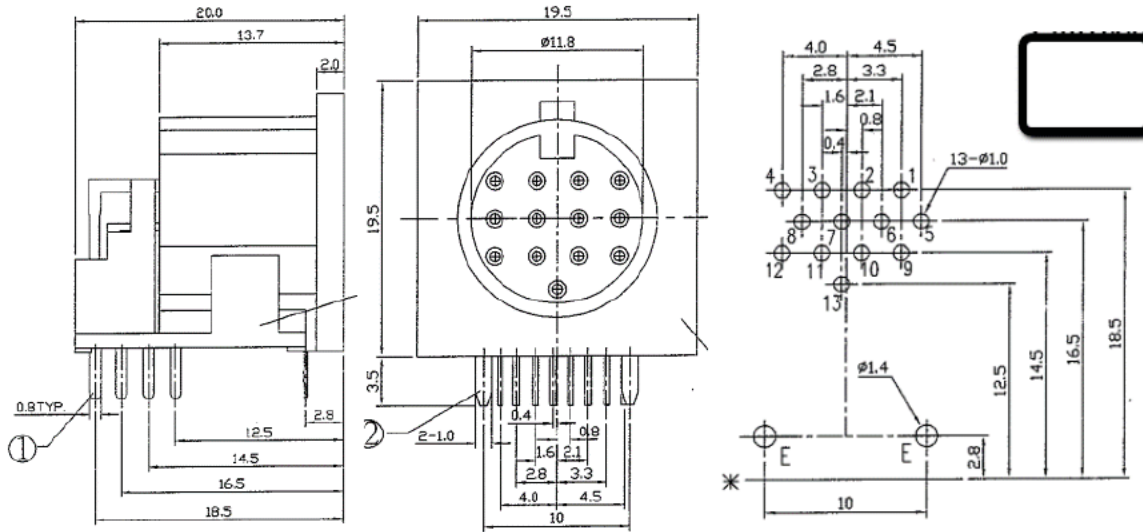
SDS-70J



SDS-80J



SDD-130J



Affected Date Code: February 1st, 2020

Product Availability: currently available

Additional Information: none

PCN Approval:

Operations/Quality

Roger D. Garcia

Product Marketing

RU