



PRODUCT/PROCESS CHANGE NOTICE (PCN)

2400 s 43rd St, Milwaukee, WI 53219
1-800-657-0853 • www.curtisind.com

PCN Number: **2020-05**

Date Issued: 11/16/2020

Product(s) Affected: L6R09H Series

Manufacturing Location Affected: No

PCN Effective Date: 11/01/2020

Means of Distinguishing Changed Devices:

Product Appearance Date Code:

Other: Part Number

Attachment: L6R09H and L6R12H Datasheets

Samples:

Reliability / Qualification Summary:

Contact: Chris DeBraal Title: Engineering Manager Phone: 414-649-4223 Fax: 414-649-4279

E-mail: cjdebraal@curtisind.com

New Tooling Design Change Assembly Process Equipment Material Testing
 Manufacturing Site Data Sheet / Dimensional Specification Other:

Description and Purpose of Change:

The UL/cUL/EN 60950-1 safety standard for power supplies has been replaced with UL/cUL/EN 62368-1. As a result, power supplies originally designed to the 60950-1 standard are being discontinued / End of Life (EOL) and are being replaced with new 62368-1 approved designs. The L6R09H Series has been discontinued and is being replaced by the new 62368-1 approved L6R12H Series. The L6R12H Series is a 12W rated adapter/charger instead of the 9W rated L6R09H Series but has a smaller form factor. Datasheets for the L6R09H and the 62368-1 approved L6R12H are included for comparison purposes.

Customer:

Name:

Title:

E-Mail:

Phone:

Fax:

Customer Acknowledgement of Receipt:

Please complete information below, sign, and fax back to above contact within three (3) days.

Approval for shipments prior to PCN effective date

Customer Comments (Optional):

Customer Signature: _____ Date: _____

L6R09H Series

9W Wall Mount Power Supply

- DOE Level VI Efficiency Rating
- Universal Input: 90 ~ 264Vac, 47/63 Hz
- UL/cUL Safety Approved
- Corded DC Output Connector
- 5Vdc USB Connection Available
- Light Weight and Compact



Model No.	Application	Output Connector	Output Voltage	Output Current			Voltage Accuracy	Ripple Noise	Line Reg.	Load Reg.
				Min	Rated	Peak				
L6R09H-050	ITE	Corded Jack	+5.0V	0	1.50	—	±5%	< ± 1%	± 1%	± 5%
L6R09H-050U	ITE	USB Connector	+5.0V	0	1.50	—	±5%	< ± 1%	± 1%	± 5%
L6R09H-070	ITE	Corded Jack	+7.0V	0	1.28	—	±5%	< ± 1%	± 1%	± 5%
L6R09H-090	ITE	Corded Jack	+9.0V	0	1.00	—	±5%	< ± 1%	± 1%	± 5%
L6R09H-120	ITE	Corded Jack	+12.0V	0	0.75	—	±5%	< ± 1%	± 1%	± 5%

- Output voltages from 5.0Vdc to 24.0Vdc are available in increments of 0.1V. Please contact Tri-Mag, LLC for the part number and specifications for your output voltage requirement and application.
- The output voltage is verified to specs at 60 percent rated load condition.
- The **line regulation** is defined by changing ± 10 percent of input voltage from the nominal line at rated load.
- The **load regulation** is defined by changing ± 40 percent of the measured output load from 60 percent of the rated load.
- The **ripple and noise** is measured by using 20MHz bandwidth limited oscilloscope with each output terminated with a 10 µF electrolytic and a 0.1 µF capacitor at rated load and nominal line.
- The **efficiency** is measured at rated load and nominal line.

L6R09H Series

Innovative, reliable, and inexpensive. That's the **L6R09H Series**.

This economical, DOE Level VI compliant power supply/charger is rated up to 9W when charging any mobile or wireless device.

Plenty of voltage levels to choose from, too. From 5.0Vdc up to 12.0Vdc (in increments of 0.1V), to match your need.

Contact us (800-657-0853 or Sales@Tri-Mag.com) for the part number to match your specifications.

Specifications

Input

Input Voltage	• 90 Vac ~ 264 Vac
Input Frequency	• 47 Hz to 63 Hz
No Load Input Power	• < 0.1W
Input Current	• 1.2A Max.
Inrush Current	• 40A Max.
Leakage Current	• 0.25mA Max.
Input Connection	• US (others available)

Output

Output Voltage Range	• 5.0 to 24.0 Vdc
Output Current Range	• 375 - 1800mA, 9W Max.
Minimum Load	• No min. load required.
Line Regulation	• $\pm 1\%$ at rated load across input voltage range
Load Regulation	• $\pm 5\%$
Ripple & Noise	• 100mVp-p Max.
Overvoltage Protection	• Auto recovery
Overload Protection	• Auto recovery
Short Circuit Protection	• Auto recovery

General

Insulation Resistance	• 50M Ω Min.
Efficiency	• Level VI compliant
MTBF	• 50,000 hrs to MIL-HDBK-217F at +25°C

Environmental

Operating Temperature	• 10°C to 40°C
Operating Humidity	• 5% - 95% RH, Non-Condensing
Storage Temperature	• -20°C to +80°C

EMC & Safety

Safety Approvals	• UL: UL60950-1
	• cUL: UL60950-1
EMC Approvals	• FCC

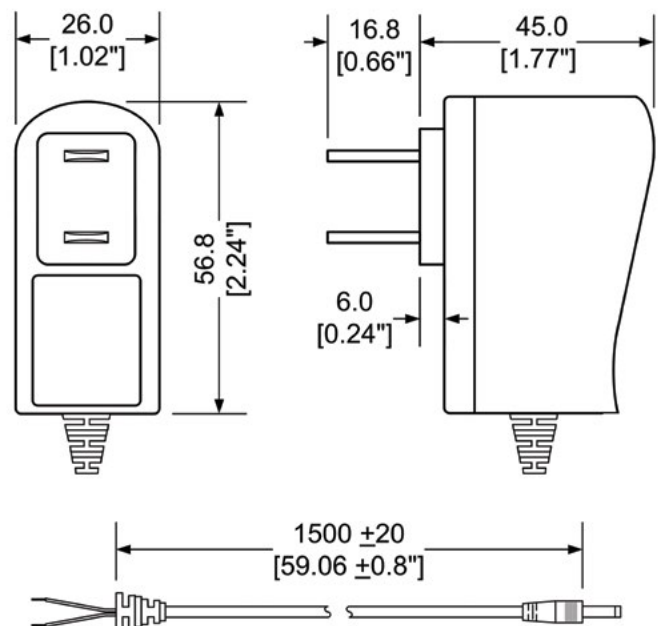
Warranty

Warranty Period	• 1 year
-----------------	----------

Dimensions and Notes

Dimensions in mm	
Tolerance	• $\pm 0.2\text{mm}$
Size	• 56.0 x 45.0 x 26.0 mm 2.20 x 1.77 x 1.02 Inches
Weight	• Approx. 90g (3.17 oz.) Ref.
Connectors	• AC input, US 2-prong inlet plug DC output, standard 2.1mm x 5.5mm x 9.5mm corded dc output barrel or per customer specification.
Cord length	• 1500 \pm 20 mm (59 \pm .8")

Mechanical Drawing



L6R12H Series**12W Wall Mount Power Supply**

- DOE Level VI Efficiency Rating
- Universal Input: 90 ~ 264Vac, 47/63 Hz
- UL/cUL Safety Approved
- Corded Output Connection
- Light Weight and Compact



Model No.	Application	Output Connector	Output Voltage	Output Current			Voltage Accuracy	Ripple Noise	Line Reg.	Load Reg.
				Min	Rated	Peak				
L6R12H-050	ITE	Corded Jack	+5.0V	0	2.00	—	±5%	< ± 1%	± 1%	± 5%
L6R12H-060	ITE	USB Connector	+6.0V	0	2.00	—	±5%	< ± 1%	± 1%	± 5%
L6R12H-070	ITE	Corded Jack	+7.0V	0	1.71	—	±5%	< ± 1%	± 1%	± 5%
L6R12H-090	ITE	Corded Jack	+9.0V	0	1.33	—	±5%	< ± 1%	± 1%	± 5%
L6R12H-120	ITE	Corded Jack	+12.0V	0	1.00	—	±5%	< ± 1%	± 1%	± 5%
L6R12H-150	ITE	Corded Jack	+15.0V	0	0.80	—	±5%	< ± 1%	± 1%	± 5%
L6R12H-180	ITE	Corded Jack	+18.0V	0	0.67	—	±5%	< ± 1%	± 1%	± 5%
L6R12H-190	ITE	Corded Jack	+19.0V	0	0.63	—	±5%	< ± 1%	± 1%	± 5%
L6R12H-240	ITE	Corded Jack	+24.0V	0	0.50	—	±5%	< ± 1%	± 1%	± 5%
L6R12H-360	ITE	Corded Jack	+36.0V	0	0.33	—	±5%	< ± 1%	± 1%	± 5%

- Output voltages from 5.0Vdc to 36.0Vdc are available in increments of 0.1V. Please contact Tri-Mag, LLC for the part number and specifications for your output voltage requirement and application.
- The output voltage is verified to specs at 60 percent rated load condition.
- The line regulation is defined by changing ± 10 percent of input voltage from the nominal line at rated load.
- The load regulation is defined by changing ± 40 percent of the measured output load from 60 percent of the rated load.
- The ripple and noise is measured by using 20MHz bandwidth limited oscilloscope with each output terminated with a 10 µF electrolytic and a 0.1 µF capacitor at rated load and nominal line.
- The efficiency is measured at rated load and nominal line.

L6R12H Series

Innovative, reliable, and inexpensive. That's the **L6R12H Series**.

This economical, DOE Level VI compliant power supply/charger is rated up to 12W when charging any mobile or wireless device.

Plenty of voltage levels to choose from, too. From 5.0Vdc all the way up to 36.0Vdc (in increments of 0.1V), to match your need.

Contact us (800-657-0853 or Sales@Tri-Mag.com) for the part number to match your specifications.

Specifications

Input

Input Voltage	• 90 Vac ~ 264 Vac
Input Frequency	• 47 Hz to 63 Hz
No Load Input Power	• < 0.1W
Input Current	• 1.2A Max.
Inrush Current	• 40A Max.
Leakage Current	• 0.25mA Max.
Input Connection	• US (others available)

Output

Output Voltage Range	• 5.0 to 36.0 Vdc
Output Current Range	• 333 - 2000mA, 12W Max.
Minimum Load	• No min. load required.
Line Regulation	• $\pm 1\%$ at rated load across input voltage range
Load Regulation	• $\pm 5\%$
Ripple & Noise	• 100mVp-p Max.
Overvoltage Protection	• Auto recovery
Overload Protection	• Auto recovery
Short Circuit Protection	• Auto recovery

General

Insulation Resistance	• 50M Ω Min.
Efficiency	• Level VI compliant
MTBF	• 50,000 hrs to MIL-HDBK-217F at +25°C

Environmental

Operating Temperature	• 10°C to 40°C
Operating Humidity	• 5% - 95% RH, Non-Condensing
Storage Temperature	• -20°C to +80°C

EMC & Safety

Safety Approvals	• UL: UL62368-1
	• cUL: UL62368-1
EMC Approvals	• FCC

Warranty

Warranty Period	• 3 years
-----------------	-----------

Dimensions and Notes

Dimensions in mm	
Tolerance	• $\pm 0.2\text{mm}$
Size	• 43.5 x 39.2 x 24.0 mm 1.71 x 1.54 x 0.95 Inches
Weight	• Approx. 100g (3.53 oz.)
Connectors	• AC input, US 2-prong inlet plug DC output, standard 5.5mm x 2.1mm corded dc output jack or per customer specification.
Cord length	• 1500 \pm 20 mm (59 \pm .8")

Mechanical Drawing

