

## Product Change Notice

PCN#: EE-PCN21003  
01/20/2021

### CLASSIFICATION OF CHANGE:

Fit

### DESCRIPTION OF CHANGE:

XLR-48 and XLR-51 Mounting points

### REASON FOR CHANGE:

Improve mechanical strength and ease of installation.

### EXPECTED INFLUENCE ON QUALITY, RELIABILITY, AND PERFORMANCE:

Corner mounting points are designed to increase strength and reduce accidental damage. Eliminate the need for a support spacer between the top and bottom plate. When using the bottom plate mounting holes only, a socket head (M8) screw/bolt is required. A hex head screw/bolt will no longer fit.

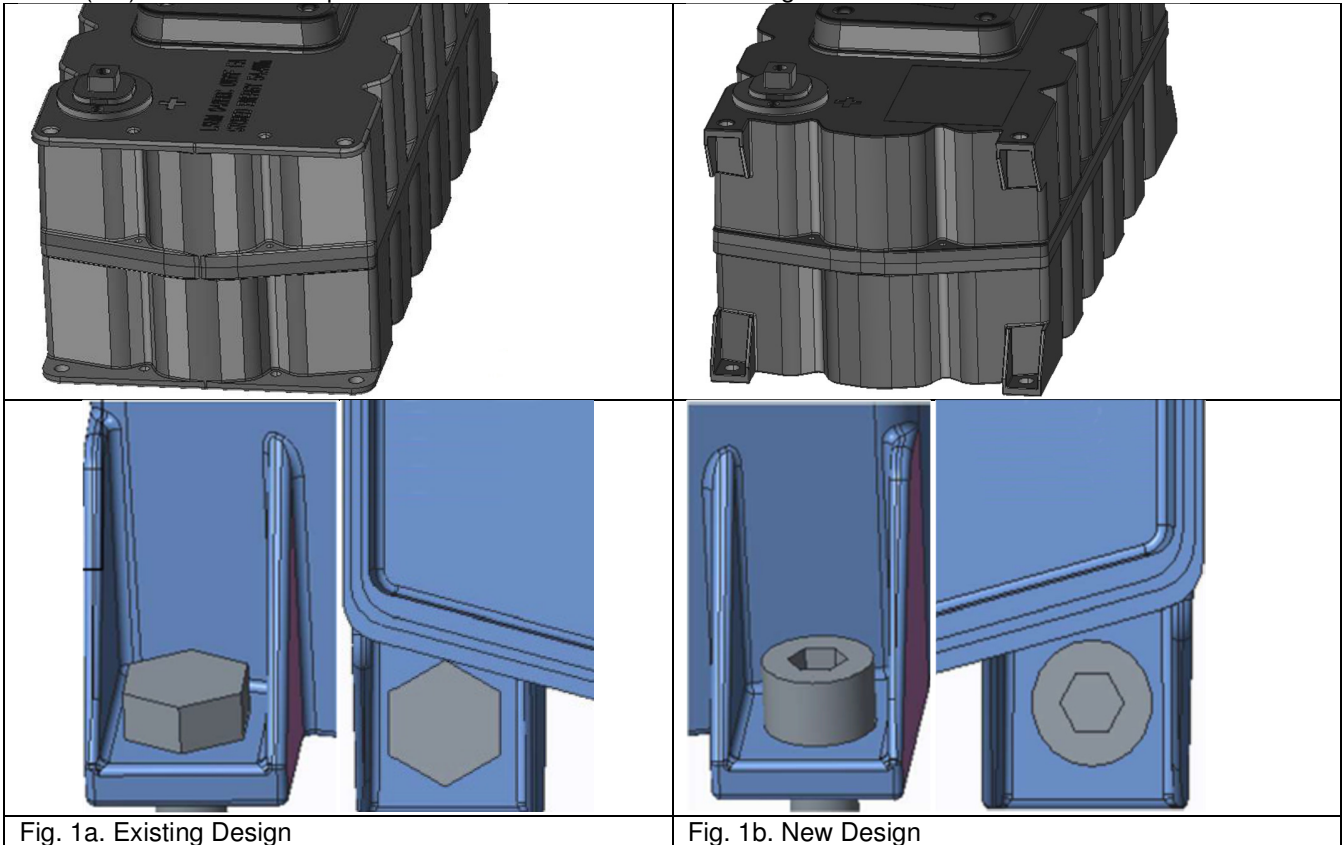


Fig. 1a. Existing Design

Fig. 1b. New Design

There is no change needed in the bolt when mounting through the top plate. However, a spacer is no longer needed.



Fig. 2. Example mounting with top to bottom bolt. Either a hex head bolt or a socket head may be used. (Prototype picture only. Final product will remain painted blue. PCBA and top cover not shown.)

**PARTS FAMILIES AFFECTED:**

XLR-48R6167-R
XLR-51R3187-R

**TIME SCHEDULE:**

Start Shipment Date:

Last Time Buy Date: N/A

Last Time Shipment Date: N/A

**SAMPLE AVAILABILITY:**

Q2'2021

**QUALIFICATION DATA:**

Upon request

**ISSUED BY:**

Jason Lee, Global Product Manager:

**CONTACT INFORMATION:**

For questions or comments, please contact your local [Eaton sales representative](#).