

PRODUCT ADVISORY NOTICE

KEEPING YOU INFORMED OF PRODUCT CHANGES

To: All Customers, Sales Representatives and Distributors

Date: March 16, 2022

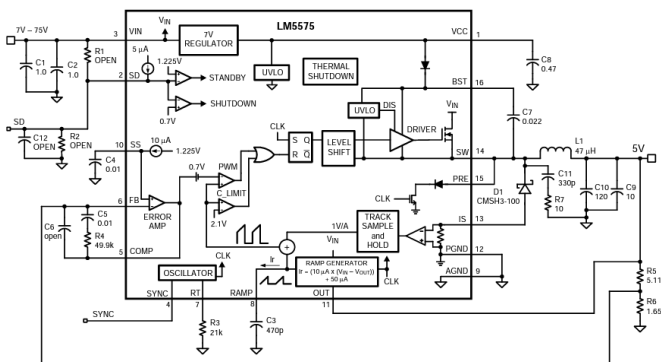
Subject: Schottky Diode Alternate for CANBUS Products

This Product Advisory Notice is to alert you that Grayhill is changing to a Schottky Diode Alternate for select CANBUS Products. **Please forward this notification to the appropriate person(s) in your organization.**

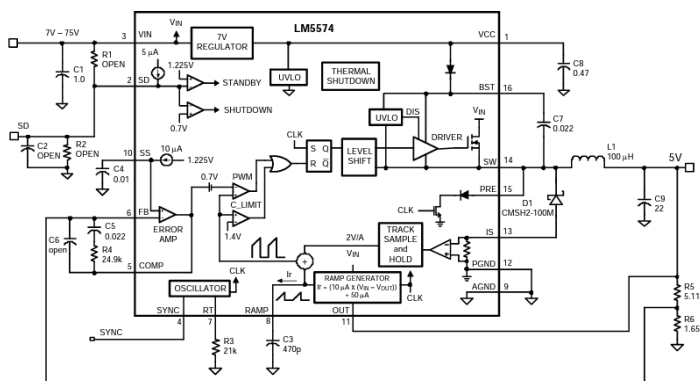
Description of Change

The current semiconductor shortage has caused a supply chain issue with a Diodes Inc. Schottky Diode used in many different assemblies at Grayhill. Grayhill has identified an alternate part that would help prevent delivery disruptions to all customers. The original diode is Diodes Inc. PN B280-13-F, which is an 80V 2A Schottky Diode in an SMB package. The diode is used as the boost diode with different switching regulator circuits in multiple Grayhill designs. The four different use cases are shown below.

LM5575 D1



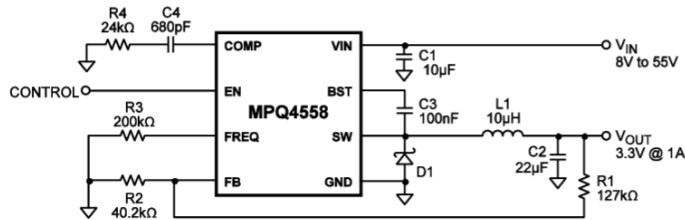
LM5574 D1



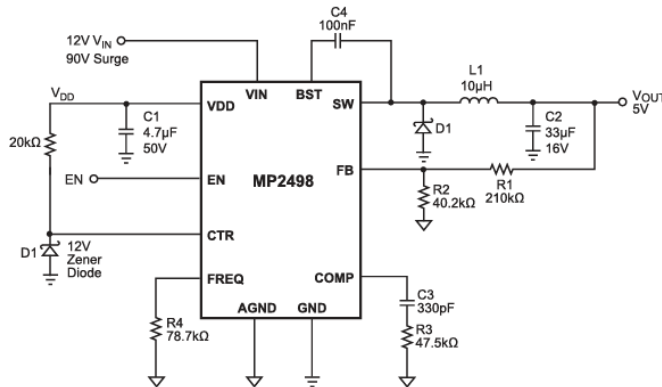
PRODUCT ADVISORY NOTICE

KEEPING YOU INFORMED OF PRODUCT CHANGES

MPQ4558 D1



MP2498 D1



Proposed Alternate Diotec SK28

The alternate diode, Diotec PN SK28 carries a reverse voltage rating of 80V and average forward rectified current of 2A, which is identical to the Diodes Inc B280-13-F. A datasheet comparison revealed no significant differences. The SK28 does have a slightly higher forward voltage (0.85V versus 0.79V) drop at higher currents but this will not affect performance. Grayhill has already procured these components and is in urgent need to start using them.

[SK28 Datasheet](#)

[B280-13-F Datasheet](#)

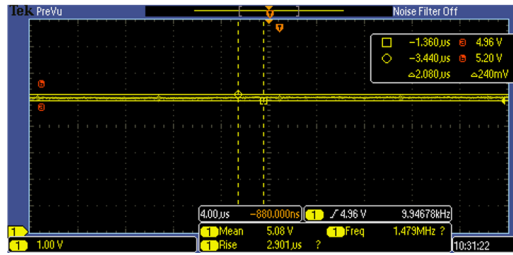


PRODUCT ADVISORY NOTICE

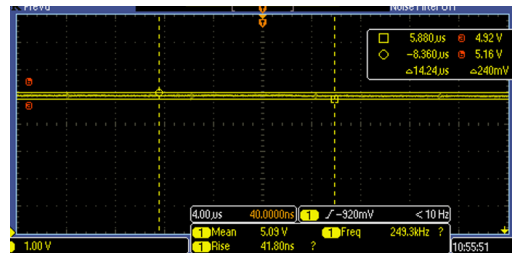
KEEPING YOU INFORMED OF PRODUCT CHANGES

MPQ4558

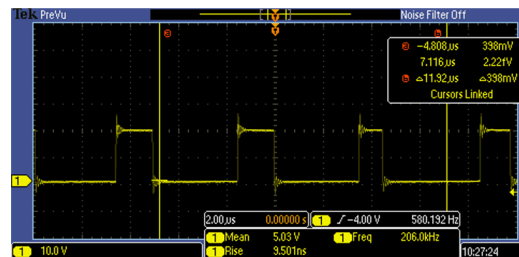
B280-13-F 5V Rail



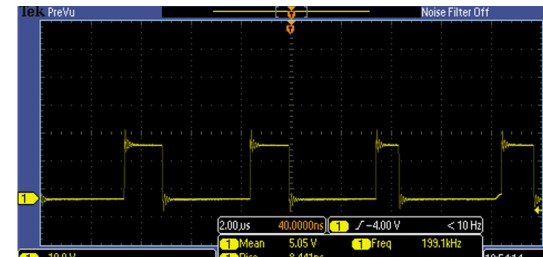
SK28 5V Rail



B280-13-F Switch Node

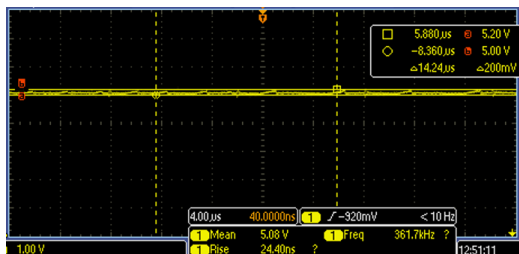


SK28 Switch Node

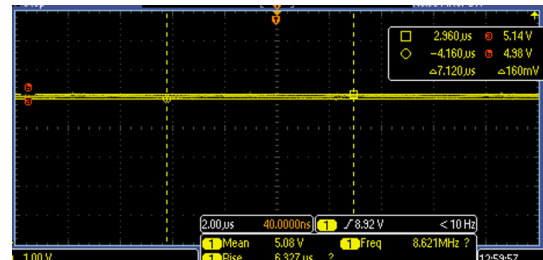


LM5575

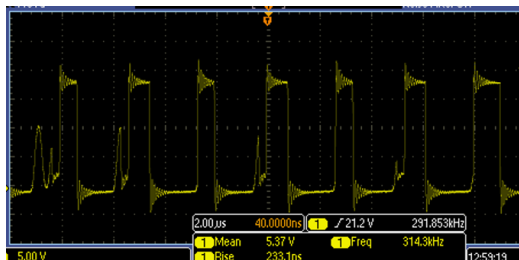
B280-13-F 5V Rail



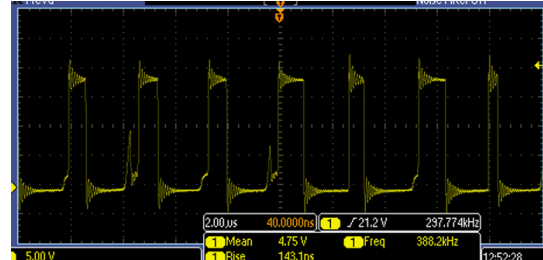
SK28 5V Rail



B280-13-F Switch Node



SK28 Switch Node

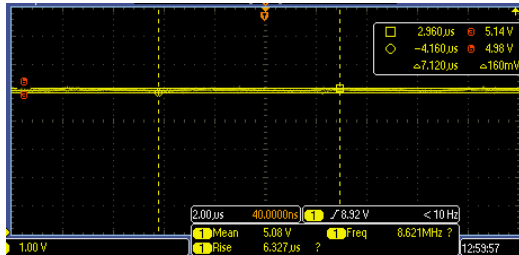


PRODUCT ADVISORY NOTICE

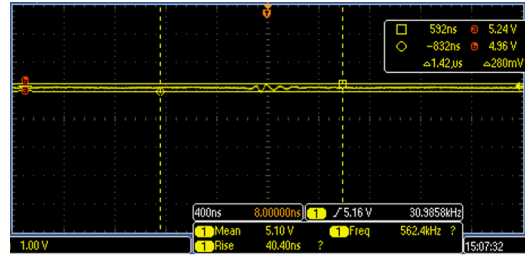
KEEPING YOU INFORMED OF PRODUCT CHANGES

LM5574

B280-13-F 5V Rail



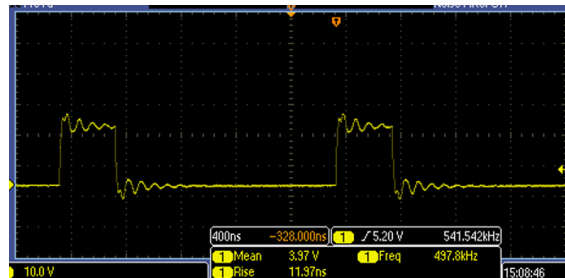
SK28 5V Rail



B280-13-F Switch Node



SK28 Switch Node



MP2498

B280-13-F 5V Rail

No board available at this time.

SK28 5V Rail

B280-13-F Switch Node

No board available at this time.

SK28 Switch Node

Effective Date

This change will be implemented on production units immediately.

Actions Required

None. This change will be implemented on all open orders for the affected Grayhill Part Numbers below.



PRODUCT ADVISORY NOTICE

KEEPING YOU INFORMED OF PRODUCT CHANGES

Part Numbers Affected

The following Grayhill Part Numbers are affected by this PAN:

3AYY1004-1	3AYY1027-15	3AYY1063-1	3J0015-100	3JYY1004-7	3JYY1015-175
3AYY1004-3	3AYY1027-2	3AYY1068-1	3J0015-100N	3JYY1004-8	3JYY1015-176
3AYY1004-4	3AYY1027-2	3AYY1068-101	3J0015-200	3JYY1004-9	3JYY1015-179N
3AYY1005-3	3AYY1027-2	3AYY1068-102	3J0015-200N	3JYY1005-111	3JYY1015-187
3AYY1008-1	3AYY1027-2	3AYY1068-103	3J0015-200R	3JYY1013-1	3JYY1015-188
3AYY1008-2	3AYY1027-3	3AYY1068-104	3J0115-100	3JYY1013-10	3JYY1015-189
3AYY1008-3	3AYY1027-3	3AYY1068-2	3J0115-100N	3JYY1013-11	3JYY1015-192
3AYY1008-4	3AYY1027-3	3AYY1070-1	3J0115-200	3JYY1013-12	3JYY1015-198
3AYY1010-5	3AYY1027-3	3AYY1070-2	3J0115-200N	3JYY1013-13	3JYY1015-203
3AYY1012-1	3AYY1027-3	3AYY1072-1	3J1005-100	3JYY1013-14	3JYY1015-213
3AYY1012-2	3AYY1027-4	3AYY1072-2	3J1005-100N	3JYY1013-2	3JYY1015-230
3AYY1012-3	3AYY1027-4	3AYY1072-3	3J1005-200	3JYY1013-3	3JYY1017-1
3AYY1012-4	3AYY1027-4	3AYY1081-1	3J1005-200N	3JYY1013-4	3JYY1020-1
3AYY1012-5	3AYY1027-4	3AYY1084-1	3J1015-100	3JYY1013-5	3JYY1020-2
3AYY1012-6	3AYY1027-5	3AYY1084-2	3J1015-100N	3JYY1013-6	3JYY1020-3
3AYY1013-1	3AYY1027-5	3AYY1084-3	3J1015-200	3JYY1013-7	3JYY1020-4
3AYY1013-2	3AYY1027-5	3AYY1094-1	3J1015-200N	3JYY1013-8	3JYY1022-4H5AB
3AYY1026-1	3AYY1027-5	3AYY1097-1	3J1015-G1-PLAN	3JYY1013-9	3JYY1022-5H2AB
3AYY1026-2	3AYY1027-6	3AYY1098-1	3J1115-100	3JYY1013-99	3JYY1022-5H3AB
3AYY1026-3	3AYY1027-6	3AYY1098-1	3J1115-100N	3JYY1014-1	3JYY1022-5H5AB
3AYY1026-4	3AYY1027-6	3AYY1098-1	3J1115-200	3JYY1014-2	3JYY1022-6H5AB
3AYY1026-5	3AYY1027-6	3AYY1098-1	3J1115-200N	3JYY1014-3	3JYY1022-7H5AB
3AYY1026-6	3AYY1027-6	3AYY1098-2	3J1115-G1-PLAN	3JYY1015-106	3JYY1022-8H5AB
3AYY1026-7	3AYY1027-7	3AYY1098-2	3J2005-100	3JYY1015-108	3JYY1023-1
3AYY1027-1	3AYY1027-7	3AYY1098-2	3J2005-100N	3JYY1015-109	3JYY1023-2
3AYY1027-1	3AYY1027-7	3AYY1098-2	3J2005-200	3JYY1015-112	3JYY1115-110
3AYY1027-1	3AYY1027-7	3AYY1098-3	3J2005-200N	3JYY1015-114	3JYY1115-113
3AYY1027-1	3AYY1027-8	3AYY1098-3	3J2015-100	3JYY1015-115	3JYY1115-115
3AYY1027-10	3AYY1027-8	3AYY1098-3	3J2015-100N	3JYY1015-117	3JYY1115-118
3AYY1027-10	3AYY1027-8	3AYY1098-3	3J2015-200	3JYY1015-121	3JYY1115-120
3AYY1027-10	3AYY1027-8	3AYY1098-3	3J2015-200N	3JYY1015-123	3JYY1115-124
3AYY1027-10	3AYY1027-9	3AYY1099-1	3J2015-200R	3JYY1015-126	3JYY1115-125
3AYY1027-11	3AYY1027-9	3AYY5288-1	3J2115-100	3JYY1015-131	3JYY1115-127
3AYY1027-11	3AYY1027-9	3AYY5288-10	3J2115-100N	3JYY1015-132	3JYY1115-128
3AYY1027-11	3AYY1027-9	3AYY5288-12	3J2115-200	3JYY1015-133	3JYY1115-128-2
3AYY1027-11	3AYY1027-9	3AYY5288-13	3J2115-200N	3JYY1015-137N	3JYY1115-129
3AYY1027-12	3AYY1028-1	3AYY5288-2	3JYY0115-143	3JYY1015-142	3JYY1115-130
3AYY1027-12	3AYY1028-2	3AYY5288-3	3JYY0115-160	3JYY1015-145	3JYY1115-134
3AYY1027-12	3AYY1030-1	3AYY5288-4	3JYY1001-1	3JYY1015-149	3JYY1115-135
3AYY1027-12	3AYY1030-2	3AYY5288-5	3JYY1001-2	3JYY1015-151N	3JYY1115-136
3AYY1027-12	3AYY1030-3	3AYY5288-7	3JYY1003-1	3JYY1015-159	3JYY1115-138
3AYY1027-13	3AYY1030-4	3AYY5288-8	3JYY1004-1	3JYY1015-159-2	3JYY1115-141
3AYY1027-13	3AYY1030-5	3AYY5288-9	3JYY1004-10	3JYY1015-161	3JYY1115-148
3AYY1027-13	3AYY1037-1	3DYY104C-200	3JYY1004-11	3JYY1015-162	3JYY1115-150N
3AYY1027-14	3AYY1038-1	3DYY32C-214	3JYY1004-12	3JYY1015-164	3JYY1115-153
3AYY1027-14	3AYY1038-2	3DYY32C-282	3JYY1004-13	3JYY1015-165	3JYY1115-154
3AYY1027-14	3AYY1039-1	3J0005-100	3JYY1004-3	3JYY1015-166	3JYY1115-155
3AYY1027-15	3AYY1040-1	3J0005-100N	3JYY1004-4	3JYY1015-167N	3JYY1115-157
3AYY1027-15	3AYY1040-2	3J0005-200	3JYY1004-5	3JYY1015-172	3JYY1115-160
3AYY1027-15	3AYY1057-1	3J0005-200N	3JYY1004-6	3JYY1015-174	3JYY1115-163



PRODUCT ADVISORY NOTICE

KEEPING YOU INFORMED OF PRODUCT CHANGES

3JYY1115-173	3K120-4RN3AG	3KYY1008-302	3KYY1008-642	3KYY1012-142	3KYY1012-371N
3JYY1115-177	3K120-G1-PLAN	3KYY1008-329	3KYY1008-660	3KYY1012-154	3KYY1012-373
3JYY1115-180	3K206-2RC3AG	3KYY1008-330	3KYY1008-673	3KYY1012-175	3KYY1012-374
3JYY1115-181	3K206-2RN3AG	3KYY1008-331	3KYY1008-673-2	3KYY1012-183	3KYY1012-381N
3JYY1115-183	3K208-2RC3AG	3KYY1008-332	3KYY1008-674	3KYY1012-192	3KYY1012-381N-2
3JYY1115-184N	3K208-2RN3AG	3KYY1008-333	3KYY1008-675	3KYY1012-195	3KYY1012-387
3JYY1115-185	3K208-4RC3AA	3KYY1008-337	3KYY1008-677	3KYY1012-196	3KYY1012-388
3JYY1115-193	3K208-4RC3AG	3KYY1008-338	3KYY1008-678	3KYY1012-210	3KYY1012-414
3JYY1115-197	3K208-4RN3AG	3KYY1008-349	3KYY1008-679	3KYY1012-220	3KYY1012-420
3JYY1115-201	3KYY1002-10	3KYY1008-349-2	3KYY1008-694	3KYY1012-221	3KYY1012-425
3JYY1115-202	3KYY1002-9	3KYY1008-350	3KYY1008-713	3KYY1012-222	3KYY1012-426
3JYY1115-202N	3KYY1003-1	3KYY1008-350-2	3KYY1008-714	3KYY1012-239	3KYY1012-427
3JYY1115-207N	3KYY1003-2	3KYY1008-351	3KYY1008-715	3KYY1012-240	3KYY1012-442
3JYY1115-210	3KYY1003-3	3KYY1008-351-2	3KYY1008-732	3KYY1012-241	3KYY1012-453
3JYY1115-224	3KYY1003-4	3KYY1008-352	3KYY1008-737	3KYY1012-243	3KYY1012-459N
3JYY1115-226	3KYY1003-5	3KYY1008-353	3KYY1008-775	3KYY1012-244	3KYY1012-460N
3JYY1115-233	3KYY1008-101	3KYY1008-353-2	3KYY1008-776	3KYY1012-245	3KYY1012-465
3JYY1115-478	3KYY1008-103	3KYY1008-354	3KYY1008-781	3KYY1012-248N	3KYY1012-466
3K006-2RC3AG	3KYY1008-11	3KYY1008-354-2	3KYY1008-784-1	3KYY1012-249N	3KYY1012-468
3K006-2RN3AG	3KYY1008-138	3KYY1008-355	3KYY1008-784-2	3KYY1012-251	3KYY1012-469
3K008-2RC3AG	3KYY1008-139	3KYY1008-355-2	3KYY1008-784-3	3KYY1012-252	3KYY1012-470
3K008-2RN3AG	3KYY1008-149	3KYY1008-355-3	3KYY1008-784-4	3KYY1012-258	3KYY1012-476N
3K008-4RC3AA	3KYY1008-150	3KYY1008-378	3KYY1008-784-5	3KYY1012-259	3KYY1012-515
3K008-4RC3AG	3KYY1008-151	3KYY1008-394	3KYY1008-784-6	3KYY1012-260	3KYY1012-517
3K008-4RN3AG	3KYY1008-152	3KYY1008-409	3KYY1008-790-13	3KYY1012-262	3KYY1012-527
3K012-4RC3AG	3KYY1008-161	3KYY1008-410	3KYY1008-790-2	3KYY1012-263	3KYY1012-540
3K012-4RN3AG	3KYY1008-164	3KYY1008-411	3KYY1008-790-3	3KYY1012-273	3KYY1012-541N
3K015-3RC3AG	3KYY1008-174	3KYY1008-430	3KYY1008-790-4	3KYY1012-278	3KYY1012-547
3K015-3RN3AG	3KYY1008-179	3KYY1008-432	3KYY1008-790-6	3KYY1012-281	3KYY1012-550
3K020-4RC3AG	3KYY1008-181	3KYY1008-433	3KYY1008-790-7	3KYY1012-282	3KYY1012-551
3K020-4RN3AG	3KYY1008-182	3KYY1008-458	3KYY1008-790-8	3KYY1012-283	3KYY1012-559N
3K106-2RC3AG	3KYY1008-2	3KYY1008-461	3KYY1008-799	3KYY1012-284	3KYY1012-572
3K106-2RN3AG	3KYY1008-206	3KYY1008-462	3KYY1008-802	3KYY1012-285	3KYY1012-578N
3K106-G1-PLAN	3KYY1008-211	3KYY1008-475	3KYY1008-819	3KYY1012-286N	3KYY1012-580
3K108-2RC3AG	3KYY1008-212	3KYY1008-475-2	3KYY1008-823	3KYY1012-292N	3KYY1012-588N
3K108-2RN3AG	3KYY1008-223	3KYY1008-480	3KYY1012-007	3KYY1012-295N	3KYY1012-601N
3K108-4RC3AA	3KYY1008-224	3KYY1008-539	3KYY1012-008	3KYY1012-300	3KYY1012-602N
3K108-4RC3AG	3KYY1008-238	3KYY1008-549	3KYY1012-009	3KYY1012-301	3KYY1012-609
3K108-4RN3AG	3KYY1008-253	3KYY1008-561N	3KYY1012-010	3KYY1012-307N	3KYY1012-626
3K108H-G1-PLAN	3KYY1008-256	3KYY1008-562N	3KYY1012-102	3KYY1012-308N	3KYY1012-627
3K108V-G1-PLAN	3KYY1008-264	3KYY1008-565	3KYY1012-115	3KYY1012-313	3KYY1012-639
3K112-4RC3AA	3KYY1008-269	3KYY1008-568	3KYY1012-116	3KYY1012-317	3KYY1012-640
3K112-4RC3AG	3KYY1008-270	3KYY1008-585	3KYY1012-117	3KYY1012-318	3KYY1012-641
3K112-4RN3AG	3KYY1008-271	3KYY1008-586	3KYY1012-122	3KYY1012-321	3KYY1012-643
3K112-G1-PLAN	3KYY1008-272	3KYY1008-593	3KYY1012-123	3KYY1012-335	3KYY1012-649
3K115-3RC3AG	3KYY1008-280	3KYY1008-593N	3KYY1012-124	3KYY1012-339	3KYY1012-650
3K115-3RN3AG	3KYY1008-288	3KYY1008-610	3KYY1012-132	3KYY1012-357	3KYY1012-651N
3K115-G1-PLAN	3KYY1008-291	3KYY1008-611	3KYY1012-135	3KYY1012-364	3KYY1012-653
3K120-4RC3AA	3KYY1008-293N	3KYY1008-612	3KYY1012-136	3KYY1012-368	3KYY1012-665
3K120-4RC3AG	3KYY1008-299	3KYY1008-630	3KYY1012-137	3KYY1012-370N	3KYY1012-671



PRODUCT ADVISORY NOTICE

KEEPING YOU INFORMED OF PRODUCT CHANGES

3KYY1012-710	3KYY1106-582	3KYY1108-274	3KYY1108-472	3KYY1115-109	3KYY1115-789-1
3KYY1012-711	3KYY1106-623	3KYY1108-279	3KYY1108-495	3KYY1115-118	3KYY1115-789-2
3KYY1012-712	3KYY1106-624	3KYY1108-287	3KYY1108-496	3KYY1115-131	3KYY1115-805-3
3KYY1012-716	3KYY1106-638	3KYY1108-289	3KYY1108-497	3KYY1115-169	3KYY1115-813
3KYY1012-733	3KYY1106-661	3KYY1108-297	3KYY1108-498	3KYY1115-177	3KYY1115-816
3KYY1012-752	3KYY1106-700	3KYY1108-304	3KYY1108-499	3KYY1115-191	3KYY1115-818
3KYY1012-772-1	3KYY1106-701	3KYY1108-305	3KYY1108-500	3KYY1115-191N	3KYY1115-831
3KYY1012-772-2	3KYY1106-729	3KYY1108-306	3KYY1108-501	3KYY1115-194	3KYY1120-125
3KYY1012-772-3	3KYY1106-736N	3KYY1108-315	3KYY1108-518	3KYY1115-204	3KYY1120-130
3KYY1012-772-4	3KYY1106-763	3KYY1108-326N	3KYY1108-519	3KYY1115-208	3KYY1120-157
3KYY1012-774	3KYY1106-790-12	3KYY1108-327N	3KYY1108-520	3KYY1115-209	3KYY1120-158
3KYY1012-790	3KYY1106-790-14	3KYY1108-328	3KYY1108-521	3KYY1115-214	3KYY1120-159
3KYY1012-793	3KYY1106-790-15	3KYY1108-346	3KYY1108-522	3KYY1115-215	3KYY1120-165
3KYY1012-800	3KYY1106-795	3KYY1108-347	3KYY1108-523	3KYY1115-246	3KYY1120-170
3KYY1012-805-1	3KYY1106-801	3KYY1108-348	3KYY1108-524	3KYY1115-255	3KYY1120-180
3KYY1012-805-2	3KYY1106-801-2	3KYY1108-356	3KYY1108-526	3KYY1115-261N	3KYY1120-186
3KYY1012-806N	3KYY1106-804	3KYY1108-357	3KYY1108-533	3KYY1115-265	3KYY1120-187
3KYY1012-812N	3KYY1106-838-1	3KYY1108-358	3KYY1108-534	3KYY1115-267	3KYY1120-188
3KYY1012-817	3KYY1106-838-2	3KYY1108-359	3KYY1108-535	3KYY1115-277	3KYY1120-198
3KYY1012-820	3KYY1108-143	3KYY1108-360	3KYY1108-538	3KYY1115-294	3KYY1120-199
3KYY1012-831	3KYY1108-144	3KYY1108-361	3KYY1108-546N	3KYY1115-309	3KYY1120-202
3KYY1012-842N	3KYY1108-145	3KYY1108-362	3KYY1108-553	3KYY1115-310	3KYY1120-203
3KYY1106-268	3KYY1108-146	3KYY1108-363	3KYY1108-554	3KYY1115-311	3KYY1120-227
3KYY1106-303	3KYY1108-147	3KYY1108-369	3KYY1108-556	3KYY1115-312	3KYY1120-228
3KYY1106-340	3KYY1108-148	3KYY1108-372	3KYY1108-566	3KYY1115-316N	3KYY1120-231
3KYY1106-341	3KYY1108-153	3KYY1108-375	3KYY1108-567	3KYY1115-320	3KYY1120-250
3KYY1106-342	3KYY1108-162	3KYY1108-377	3KYY1108-573	3KYY1115-323	3KYY1120-250N
3KYY1106-345	3KYY1108-163	3KYY1108-380N	3KYY1108-576	3KYY1115-324	3KYY1120-275N
3KYY1106-345-2	3KYY1108-178	3KYY1108-382	3KYY1108-577-1	3KYY1115-325	3KYY1120-298N
3KYY1106-365	3KYY1108-184	3KYY1108-383	3KYY1108-577-2	3KYY1115-376	3KYY1120-314
3KYY1106-366	3KYY1108-189	3KYY1108-384	3KYY1108-577-3	3KYY1115-406	3KYY1120-319
3KYY1106-386	3KYY1108-191	3KYY1108-385	3KYY1108-577-4	3KYY1115-408	3KYY1120-336
3KYY1106-413	3KYY1108-191N	3KYY1108-389	3KYY1108-577-5	3KYY1115-419	3KYY1120-343
3KYY1106-415	3KYY1108-193	3KYY1108-391	3KYY1108-577-6	3KYY1115-428	3KYY1120-379N
3KYY1106-434	3KYY1108-197	3KYY1108-392	3KYY1108-577-7	3KYY1115-457	3KYY1120-452
3KYY1106-435	3KYY1108-2	3KYY1108-395	3KYY1108-577-8	3KYY1115-467	3KYY1120-463
3KYY1106-438N	3KYY1108-205	3KYY1108-396	3KYY1108-587	3KYY1115-536	3KYY1120-464
3KYY1106-444N	3KYY1108-207	3KYY1108-397	3KYY1108-644	3KYY1115-560	3KYY1120-471N
3KYY1106-463	3KYY1108-225	3KYY1108-398	3KYY1108-645	3KYY1115-563	3KYY1120-542N
3KYY1106-464	3KYY1108-226	3KYY1108-399	3KYY1108-662	3KYY1115-571	3KYY1120-543N
3KYY1106-474	3KYY1108-229	3KYY1108-400	3KYY1108-663	3KYY1115-628	3KYY1120-552
3KYY1106-477	3KYY1108-232	3KYY1108-401	3KYY1108-682N	3KYY1115-629	3KYY1120-557N
3KYY1106-525	3KYY1108-233	3KYY1108-402	3KYY1108-779N	3KYY1115-683	3KYY1120-558N
3KYY1106-528	3KYY1108-234	3KYY1108-403	3KYY1108-782	3KYY1115-743N	3KYY1120-570
3KYY1106-529	3KYY1108-235	3KYY1108-404	3KYY1108-790-10	3KYY1115-744N	3KYY1120-592
3KYY1106-531	3KYY1108-236	3KYY1108-417	3KYY1108-790-9	3KYY1115-745N	3KYY1120-592N
3KYY1106-532	3KYY1108-237	3KYY1108-418	3KYY1108-832	3KYY1115-746N	3KYY1120-622N
3KYY1106-537	3KYY1108-247	3KYY1108-429	3KYY1108-833N	3KYY1115-747N	3KYY1120-731
3KYY1106-555	3KYY1108-254	3KYY1108-431N	3KYY1115-107	3KYY1115-771N	3KYY1120-770
3KYY1106-575	3KYY1108-266	3KYY1108-443	3KYY1115-108	3KYY1115-778N	3KYY1120-791N



PRODUCT ADVISORY NOTICE

KEEPING YOU INFORMED OF PRODUCT CHANGES

3KYY1120-792-1
3KYY1120-792-2
3KYY1120-809
3KYY1129-001
3KYY1129-002
3KYY1129-003
3KYY1129-1
3KYY1129-201
3KYY1129-202
3KYY1129-203
3KYY1129-204
3KYY1172-1
3KYY1172-2
3KYY1172-3
3KYY1176-1
3KYY1176-2
3KYY1176-3
3KYY1184-0
3KYY1184-10
3KYY1184-11
3KYY1184-12
3KYY1184-13
3KYY1184-14
3KYY1184-15
3KYY1184-16
3KYY1184-17
3KYY1184-18
3KYY1184-19
3KYY1184-5
3KYY1184-6
3KYY1184-7
3KYY1184-8
3KYY1184-9
3KYY1192-1
93YY5252-1
93YY5252-2
93YY5252-3
93YY5252-4
93YY5273-1
93YY5273-2
93YY5293-1

