



# Product Change Notification

<b>Date Issued :</b>	September 07, 2022	<b>PCN Number :</b>	512554
<b>Reason for Change :</b>	Capacity change or tool replacement		
<b>Description of Change :</b>	This notice is to inform you that Molex Lincoln Nebraska is adding additional tooling that will affect the product listed. New tooling will be exact replica of current tooling. There will be no change to the product Fit, Form, Function or Appearance when compared to current tooling.		
<b>Reason for Short Notice :</b>	Capacity Increase		
<b>Assessment of Change :</b>	Dimension analysis		
<b>Planned Implementation Date :</b>	November 01, 2022		
<b>Sample Availability Date:</b>	October 07, 2022		
<b>Internal Molex Qualification Date :</b>	October 07, 2022		
<b>Last date to request Samples by Customer :</b>	October 18, 2022		
<b>Traceability Code Markings / Date :</b>	Product made after planned implementation date can contain the change		

Before Picture

- **5569 Series**
- Mini-Fit Jr.

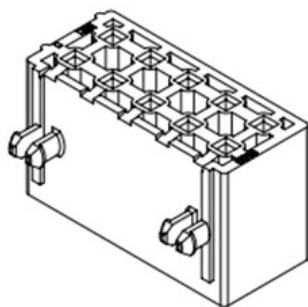


Photo is used as representation of product only. Mini-Fit Jr. may come in different circuit sizes and colors

After Picture

## Overview

- To ensure business continuity, Molex Lincoln Nebraska is adding another set of tooling
  - New tooling will be an exact replica of current tooling
  - Tooling being added to keep up with current and future demand
  
- There is NO impact to Fit, Form or Function
  
- Samples available upon request after date shown above
  
- Part Numbers Impacted
  - See attached list

RELEASED

You may address inquiries regarding this PCN by clicking on the below link  
[mailto:pcn\\_coordinator@molex.com?subject=PCN\\_Notification:512554](mailto:pcn_coordinator@molex.com?subject=PCN_Notification:512554)  
or contact your Local Sales Engineer.

Note: While responding, please retain " PCN Notification : **PCN Notification: 512554** " in the e-mail Subject line for faster response.

[Molex, LLC](#)  
2222 Wellington Court  
Lisle, IL 60532  
TEL (800) 786-6539  
[www.molex.com](http://www.molex.com)

**PCN No Part List**

512554 [0026013101](#)

512554 [0026013114](#)

512554 [0026013127](#)

512554 [0039300020](#)

512554 [0039301020](#)

512554 [0039301021](#)

512554 [0039301022](#)

512554 [0050361756](#)

512554 [0050361758](#)

512554 [0441300018](#)

512554 [0469990013](#)

512554 [0469990515](#)

512554 [0687340555](#)

512554 [0687362646](#)

512554 [0687362656](#)

512554 [0687362658](#)

512554 [0687362666](#)

512554 [0687364331](#)

512554 [1724480002](#)

512554 [1724481002](#)

512554 [6873542056](#)

512554 [6873542066](#)