

NO: SD-106 **PRODUCT:** S8JX-P Power Supplies
DATE: October 2017 **TYPE:** Partial Discontinuation Notice

S8JX-P Power Supplies with 50/100/150W Capacities will be Discontinued; Replace with S8FS-G Series

Discontinuation date: February 2019

Note: Date is subject to change based on raw materials and components availability at the factory.

Reason for discontinuation

Omron continues to streamline the product offering, discontinuing ones with duplicate capabilities. The S8FS-G offers space savings and a price point more in line with OEM machine and panel builders.



Overview Summary

Product Discontinuation	Recommended Replacement
Switch Mode Power Supply Model S8JX-P series 50/100/150W Models	Switch Mode Power Supply Model S8FS-G series 50/100/150W Models
Mounting Bracket Model S82Y-JX02DIN	Mounting Bracket No recommended replacement
Terminal Cover Model S82Y-JTC1	Terminal Cover No recommended replacement

Cautions on Applying Replacements

- Dimensions are different.
- Wire connection is different.
- Mounting method is different.
- Input current and power factor is different.
- Start-up time takes longer.
- Output hold time takes shorter.
- Overcurrent protection characteristics are different.
- There are some models which have different derating curve.
- The output capacity of the S8FS-G05005□□ is 40 W.
- The output capacity of the S8FS-G10005□□ is 80 W.
- The output capacity of the S8FS-G15005□□ is 105 W.

See the detail of differences on the following pages.

Affected Parts

DIN Rail Mounting / Covered Type

Product discontinuation	Recommended replacement
Model	Model
S8JX-P05005CD	S8FS-G05005CD (*1)
S8JX-P05012CD	S8FS-G05012CD
S8JX-P05024CD	S8FS-G05024CD
S8JX-P05048CD	S8FS-G15048CD
S8JX-P10005CD	S8FS-G10005CD (*2)
S8JX-P10012CD	S8FS-G10012CD
S8JX-P10024CD	S8FS-G10024CD
S8JX-P10048CD	S8FS-G15048CD
S8JX-P15005CD	S8FS-G15005CD (*3)
S8JX-P15012CD	S8FS-G15012CD
S8JX-P15024CD	S8FS-G15024CD
S8JX-P15048CD	S8FS-G15048CD

*1. The output capacity is 40 W.

*2. The output capacity is 80 W.

*3. The output capacity is 105 W.

DIN Rail Mounting / Open-Frame Type

Product discontinuation	Recommended replacement
Model	Model
S8JX-P05005D	S8FS-G05005CD (*1)
S8JX-P05012D	S8FS-G05012CD
S8JX-P05024D	S8FS-G05024CD
S8JX-P05048D	S8FS-G15048CD
S8JX-P10005D	S8FS-G10005CD (*2)
S8JX-P10012D	S8FS-G10012CD
S8JX-P10024D	S8FS-G10024CD
S8JX-P10048D	S8FS-G15048CD
S8JX-P15005D	S8FS-G15005CD (*3)
S8JX-P15012D	S8FS-G15012CD
S8JX-P15024D	S8FS-G15024CD
S8JX-P15048D	S8FS-G15048CD

· There are not recommended products for open-frame type.

*1. The output capacity is 40 W.

*2. The output capacity is 80 W.

*3. The output capacity is 105 W.

Front Mounting / Covered Type

Product discontinuation		Recommended replacement	
Model	Mounting	Model	Front-mounting Bracket (Order Separately)
S8JX-P05005C	Side/Bottom	S8FS-G05005C (*1)	—
	Front	S8FS-G05005CD (*1)	S82Y-FSG-30F
S8JX-P05012C	Side/Bottom	S8FS-G05012C	—
	Front	S8FS-G05012CD	S82Y-FSG-30F
S8JX-P05024C	Side/Bottom	S8FS-G05024C	—
	Front	S8FS-G05024CD	S82Y-FSG-30F
S8JX-P05048C	Side/Bottom	S8FS-G15048C	—
	Front	S8FS-G15048CD	S82Y-FSG-30F
S8JX-P10005C	Side/Bottom	S8FS-G10005C (*2)	—
	Front	S8FS-G10005CD (*2)	S82Y-FSG-30F
S8JX-P10012C	Side/Bottom	S8FS-G10012C	—
	Front	S8FS-G10012CD	S82Y-FSG-30F
S8JX-P10024C	Side/Bottom	S8FS-G10024C	—
	Front	S8FS-G10024CD	S82Y-FSG-30F
S8JX-P10048C	Side/Bottom	S8FS-G15048C	—
	Front	S8FS-G15048CD	S82Y-FSG-30F
S8JX-P15005C	Side/Bottom	S8FS-G15005C (*3)	—
	Front	S8FS-G15005CD (*3)	S82Y-FSG-30F
S8JX-P15012C	Side/Bottom	S8FS-G15012C	—
	Front	S8FS-G15012CD	S82Y-FSG-30F
S8JX-P15024C	Side/Bottom	S8FS-G15024C	—
	Front	S8FS-G15024CD	S82Y-FSG-30F
S8JX-P15048C	Side/Bottom	S8FS-G15048C	—
	Front	S8FS-G15048CD	S82Y-FSG-30F

*1. The output capacity is 40 W.

*2. The output capacity is 80 W.

*3. The output capacity is 105 W.

Front Mounting / Open-Frame Type

Product discontinuation		Recommended replacement	
Model	Mounting	Model	Front-mounting Bracket (Order Separately)
S8JX-P05005	Side/Bottom	S8FS-G05005C (*1)	—
	Front	S8FS-G05005CD (*1)	S82Y-FSG-30F
S8JX-P05012	Side/Bottom	S8FS-G05012C	—
	Front	S8FS-G05012CD	S82Y-FSG-30F
S8JX-P05024	Side/Bottom	S8FS-G05024C	—
	Front	S8FS-G05024CD	S82Y-FSG-30F
S8JX-P05048	Side/Bottom	S8FS-G15048C	—
	Front	S8FS-G15048CD	S82Y-FSG-30F
S8JX-P10005	Side/Bottom	S8FS-G10005C (*2)	—
	Front	S8FS-G10005CD (*2)	S82Y-FSG-30F
S8JX-P10012	Side/Bottom	S8FS-G10012C	—
	Front	S8FS-G10012CD	S82Y-FSG-30F
S8JX-P10024	Side/Bottom	S8FS-G10024C	—
	Front	S8FS-G10024CD	S82Y-FSG-30F
S8JX-P10048	Side/Bottom	S8FS-G15048C	—
	Front	S8FS-G15048CD	S82Y-FSG-30F
S8JX-P15005	Side/Bottom	S8FS-G15005C (*3)	—
	Front	S8FS-G15005CD (*3)	S82Y-FSG-30F
S8JX-P15012	Side/Bottom	S8FS-G15012C	—
	Front	S8FS-G15012CD	S82Y-FSG-30F
S8JX-P15024	Side/Bottom	S8FS-G15024C	—
	Front	S8FS-G15024CD	S82Y-FSG-30F
S8JX-P15048	Side/Bottom	S8FS-G15048C	—
	Front	S8FS-G15048CD	S82Y-FSG-30F

• There are not recommended products for open-frame type.

*1. The output capacity is 40 W.

*2. The output capacity is 80 W.

*3. The output capacity is 105 W.

Accessories (Sold separately)

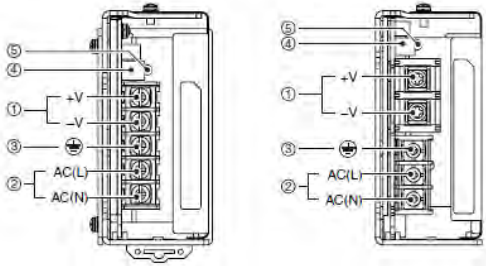
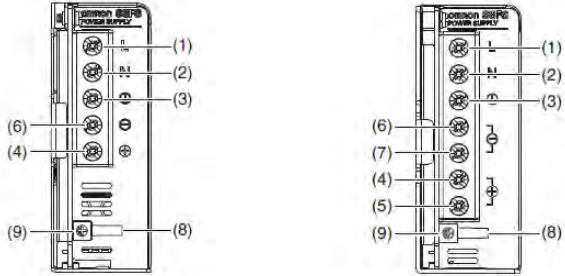
Product discontinuation	Recommended replacement
S82Y-JX02DIN	No recommended replacement
S82Y-JTC1	No recommended replacement

• Following attachment will be end of life due to S8JX-P series discontinuation.

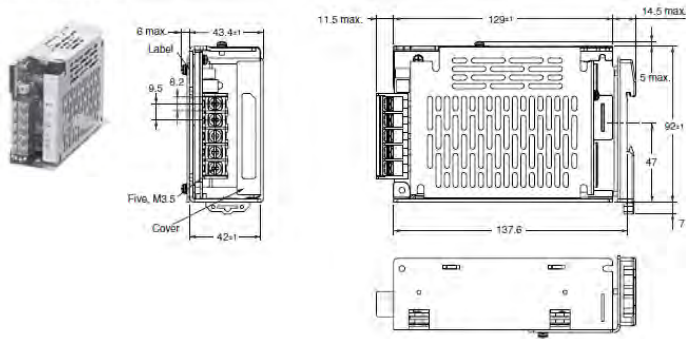
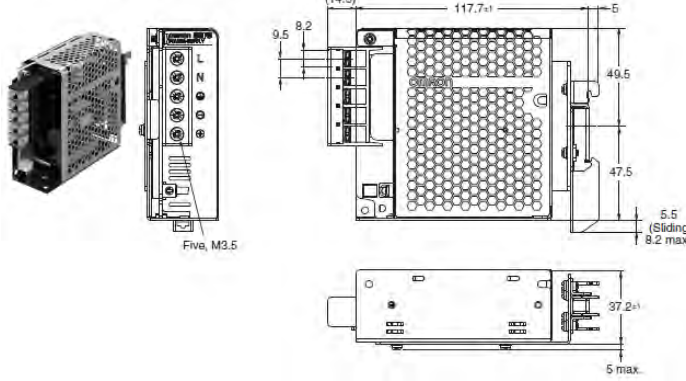
S82Y-J00F

Detail of Differences

Terminal arrangement / Wire connection

Product discontinuation S8JX-P series	Recommended replacement Model S8FS-G series																																																													
<p><50W,100W,150W Models></p>  <table border="1" style="width:100%; border-collapse: collapse; margin-top: 10px;"> <thead> <tr> <th>No.</th> <th>Name</th> <th>Function</th> </tr> </thead> <tbody> <tr> <td>1</td> <td>DC Output Terminals (-V), (+V)</td> <td>Connect the load lines to these terminals.</td> </tr> <tr> <td>2</td> <td>AC Input Terminals (L), (N)</td> <td>Connect the input lines to these terminals. #1</td> </tr> <tr> <td>3</td> <td>Protective Earth Terminal (PE) (⊕)</td> <td>Connect the ground line to these terminals. #2</td> </tr> <tr> <td>4</td> <td>Output Voltage Adjuster (V. ADJ)</td> <td>It is possible to increase or decrease the output voltage.</td> </tr> <tr> <td>5</td> <td>Output Indicator (DC ON: Green)</td> <td>Lights green while a direct current (DC) output is ON.</td> </tr> </tbody> </table> <p>#1. The fuse is located on the (L) side. It is NOT user-replaceable. For a DC power input, connect the low side to the positive (+) terminal. #2. This is the protective earth terminal specified in the safety standards. Always ground this terminal.</p>	No.	Name	Function	1	DC Output Terminals (-V), (+V)	Connect the load lines to these terminals.	2	AC Input Terminals (L), (N)	Connect the input lines to these terminals. #1	3	Protective Earth Terminal (PE) (⊕)	Connect the ground line to these terminals. #2	4	Output Voltage Adjuster (V. ADJ)	It is possible to increase or decrease the output voltage.	5	Output Indicator (DC ON: Green)	Lights green while a direct current (DC) output is ON.	<p><50W,100W,150W Models></p>  <table border="1" style="width:100%; border-collapse: collapse; margin-top: 10px;"> <thead> <tr> <th>No.</th> <th>Terminal name</th> <th>Name</th> <th>Function</th> </tr> </thead> <tbody> <tr> <td>(1)</td> <td>L</td> <td>Input terminals</td> <td rowspan="2">Connect the input lines to these terminals. #1</td> </tr> <tr> <td>(2)</td> <td>N</td> <td></td> </tr> <tr> <td>(3)</td> <td>PE</td> <td>Protective Earth terminal (⊕)</td> <td>Connect the ground line to this terminal. #2</td> </tr> <tr> <td>(4)</td> <td>+V1</td> <td rowspan="4">DC output terminals</td> <td rowspan="4">Connect the load lines to these terminals.</td> </tr> <tr> <td>(5)</td> <td>+V2</td> </tr> <tr> <td>(6)</td> <td>-V1</td> </tr> <tr> <td>(7)</td> <td>-V2</td> </tr> <tr> <td>(8)</td> <td>---</td> <td>Output indicator (DC ON: green)</td> <td>Lights while a direct current (DC) output is ON.</td> </tr> <tr> <td>(9)</td> <td>---</td> <td>Output voltage adjuster (V.ADJ)</td> <td>Use to adjust the voltage.</td> </tr> <tr> <td>(10)</td> <td>+RC</td> <td rowspan="2">Remote control terminals</td> <td rowspan="2">Wire for remote control.</td> </tr> <tr> <td>(11)</td> <td>-RC</td> </tr> <tr> <td>(12)</td> <td>---</td> <td>Parallel operation switch</td> <td>To operate in parallel, set the switch to the "PARALLEL" side.</td> </tr> </tbody> </table> <p>#1. The fuse is located on the (L) side. It is not user-replaceable. For a DC input, connect the positive voltage to the L terminal. #2. This is the protective earth terminal specified in the safety standards. Always ground this terminal.</p>	No.	Terminal name	Name	Function	(1)	L	Input terminals	Connect the input lines to these terminals. #1	(2)	N		(3)	PE	Protective Earth terminal (⊕)	Connect the ground line to this terminal. #2	(4)	+V1	DC output terminals	Connect the load lines to these terminals.	(5)	+V2	(6)	-V1	(7)	-V2	(8)	---	Output indicator (DC ON: green)	Lights while a direct current (DC) output is ON.	(9)	---	Output voltage adjuster (V.ADJ)	Use to adjust the voltage.	(10)	+RC	Remote control terminals	Wire for remote control.	(11)	-RC	(12)	---	Parallel operation switch	To operate in parallel, set the switch to the "PARALLEL" side.
No.	Name	Function																																																												
1	DC Output Terminals (-V), (+V)	Connect the load lines to these terminals.																																																												
2	AC Input Terminals (L), (N)	Connect the input lines to these terminals. #1																																																												
3	Protective Earth Terminal (PE) (⊕)	Connect the ground line to these terminals. #2																																																												
4	Output Voltage Adjuster (V. ADJ)	It is possible to increase or decrease the output voltage.																																																												
5	Output Indicator (DC ON: Green)	Lights green while a direct current (DC) output is ON.																																																												
No.	Terminal name	Name	Function																																																											
(1)	L	Input terminals	Connect the input lines to these terminals. #1																																																											
(2)	N																																																													
(3)	PE	Protective Earth terminal (⊕)	Connect the ground line to this terminal. #2																																																											
(4)	+V1	DC output terminals	Connect the load lines to these terminals.																																																											
(5)	+V2																																																													
(6)	-V1																																																													
(7)	-V2																																																													
(8)	---	Output indicator (DC ON: green)	Lights while a direct current (DC) output is ON.																																																											
(9)	---	Output voltage adjuster (V.ADJ)	Use to adjust the voltage.																																																											
(10)	+RC	Remote control terminals	Wire for remote control.																																																											
(11)	-RC																																																													
(12)	---	Parallel operation switch	To operate in parallel, set the switch to the "PARALLEL" side.																																																											

Dimensions / Mounting dimensions

Product discontinuation Model S8JX-P series	Recommended replacement Model S8FS-G series
<p><50W Model> DIN Rail mounting S8JX-P050□□D (50 W) S8JX-P050□□CD (50 W)</p> 	<p><50W Model> DIN Rail mounting S8FS-G050□□CD</p> 

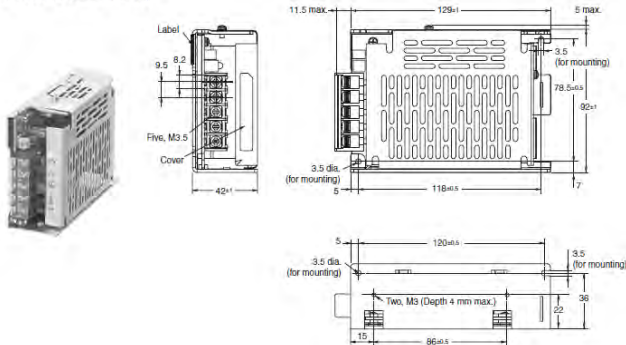
Product discontinuation
Model S8JX-P series

Recommended replacement
Model S8FS-G series

<50W Model>

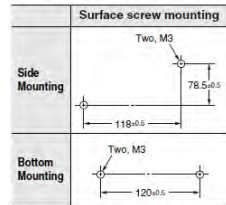
Side mounting / Bottom mounting /
Front mounting (common)

S8JX-P050□□ (50 W)
S8JX-P050□□C (50 W)



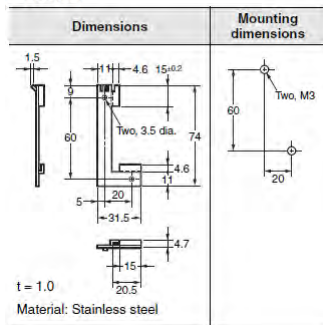
Side mounting / Bottom mounting

Panel mounting holes dimensions



Front mounting

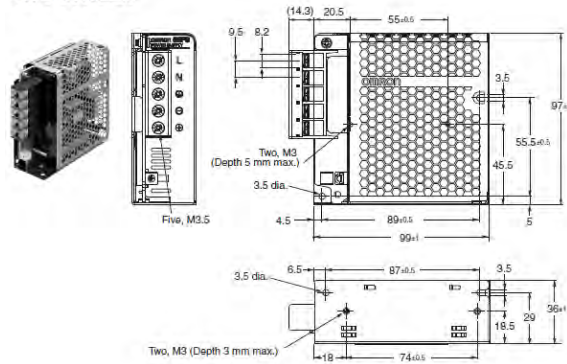
S82Y-J00F Front-mounting Bracket



<50W Model>

Side mounting / Bottom mounting

S8FS-G050□□C



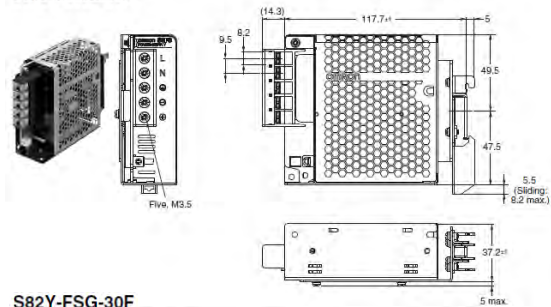
Panel mounting holes dimensions

	Using the mounting holes in the Power Supply	Using the screw holes in the Power Supply
Side Mounting		
Bottom Mounting		

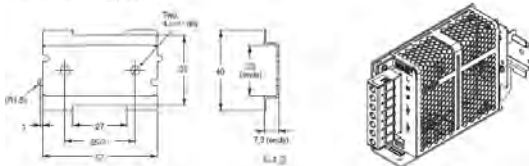
Front mounting

Available for front-mounting by the combination of DIN Rail-mounting type and front-mounting bracket (Model S82Y-FSG-30F)

S8FS-G050□□CD



S82Y-FSG-30F



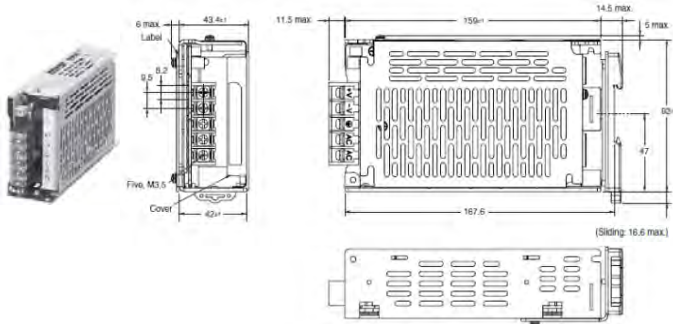
Product discontinuation
Model S8JX-P series

Recommended replacement
Model S8FS-G series

<100W Model>

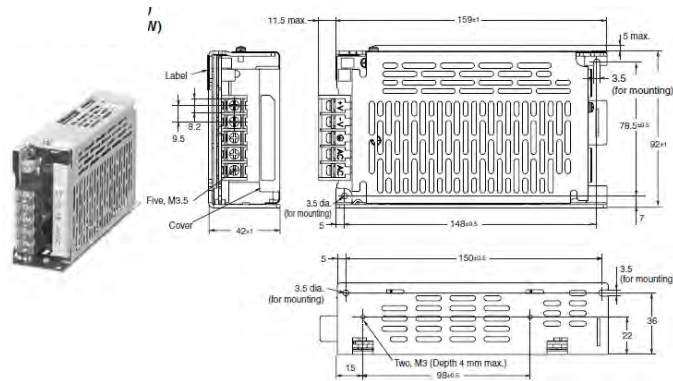
DIN Rail mounting

S8JX-P100□□CD (100 W)
S8JX-P100□□CD (100 W)



**Side mounting / Bottom mounting /
Front mounting (common)**

S8JX-P100□□ (100 W)
S8JX-P100□□C (100 W)



Side mounting / Bottom mounting

Panel mounting holes dimensions

Surface screw mounting	
Side Mounting	Two, M3 78.5±0.5 148±0.5
Bottom Mounting	Two, M3 150±0.5

Front mounting

**S82Y-J00F Front-mounting
Bracket**

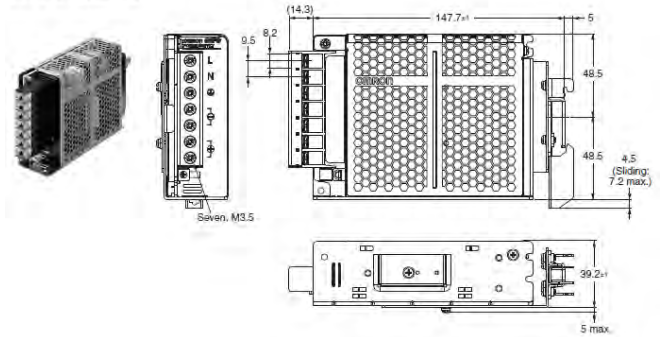
Dimensions	Mounting dimensions

t = 1.0
Material: Stainless steel

<100W Model>

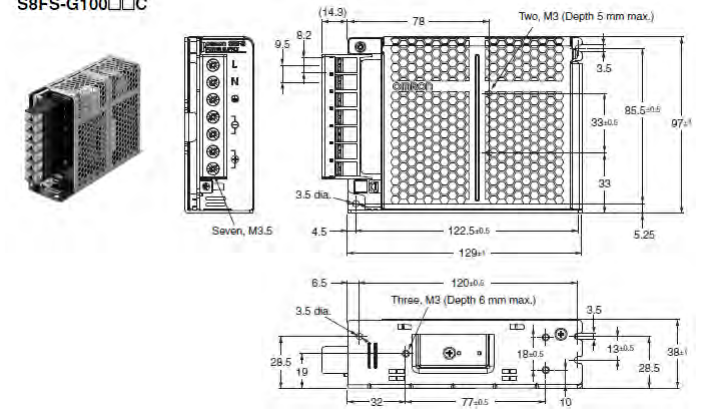
DIN Rail mounting

S8FS-G100□□CD



Side mounting / Bottom mounting

S8FS-G100□□C



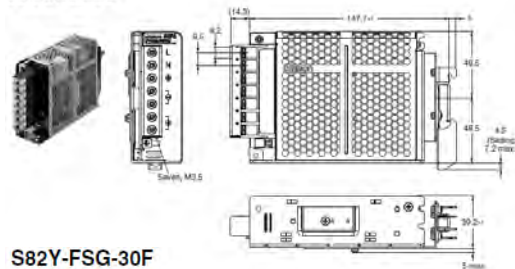
Panel mounting holes dimensions

	Using the mounting holes in the Power Supply	Using the screw holes in the Power Supply
Side Mounting	Two, M3 122.5±0.5 85.5±0.5	Two, 3.5 dia. 33±0.5
Bottom Mounting	Three, M3 120±0.5 13±0.5	Three, 3.5 dia. 77±0.5 18±0.5

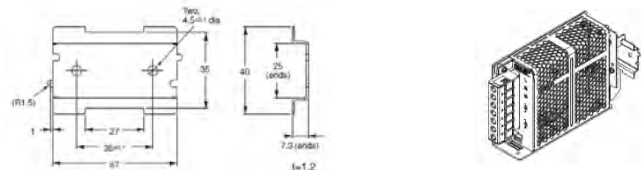
Front mounting

Available for front-mounting by the combination of
DIN Rail-mounting type and front-mounting bracket
(Model S82Y-FSG-30F)

S8FS-G100□□CD



S82Y-FSG-30F

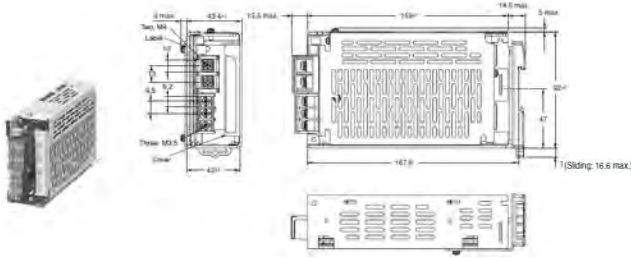


**Product discontinuation
Model S8JX-P series**

**Recommended replacement
Model S8FS-G series**

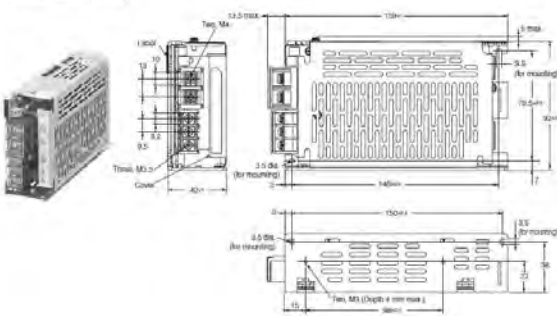
**<150W (5V) Model>
DIN Rail mounting**

S8JX-P15005D (150 W)
S8JX-P15005CD (150 W)



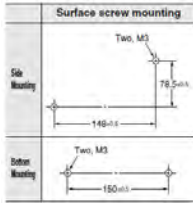
**Side mounting / Bottom mounting /
Front mounting (common)**

S8JX-P15005 (150 W)
S8JX-P15005C (150 W)

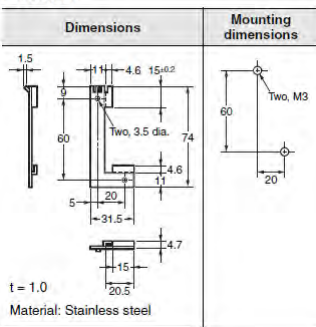


Side mounting / Bottom mounting

Panel mounting holes dimensions

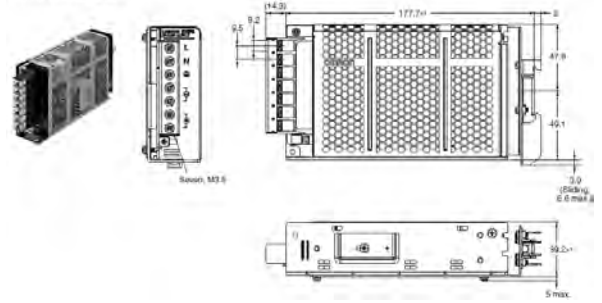


**Front mounting
S82Y-J00F Front-mounting
Bracket**



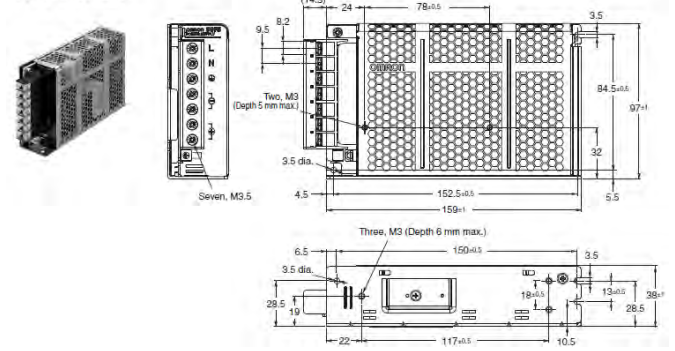
**<150W (5V) Model>
DIN Rail mounting**

S8FS-G150□□□□

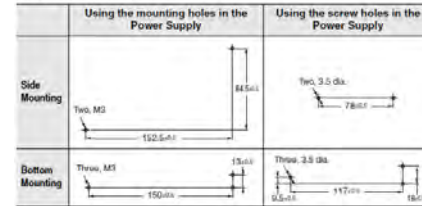


Side mounting / Bottom mounting

S8FS-G150□□□□



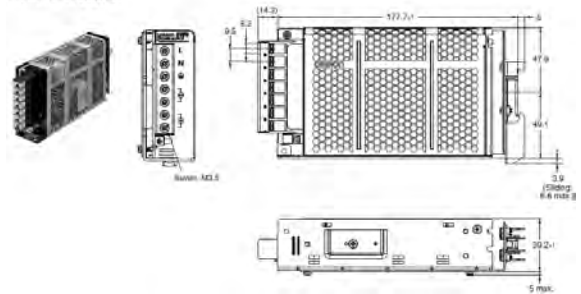
Panel mounting holes dimensions



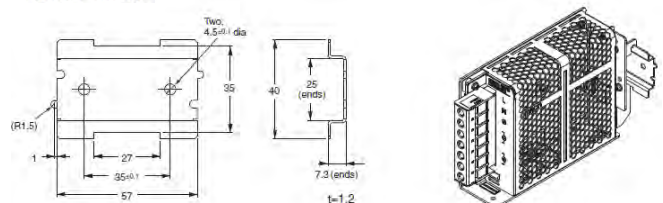
Front mounting

Available for front-mounting by the combination of DIN Rail-mounting type and front-mounting bracket (Model S82Y-FSG-30F).

S8FS-G150□□□□



S82Y-FSG-30F



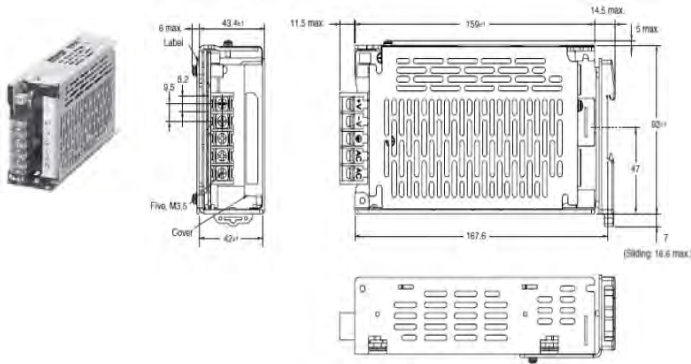
**Product discontinuation
Model S8JX-P series**

**Recommended replacement
Model S8FS-G series**

<150W (12V,24V,48V) Models>

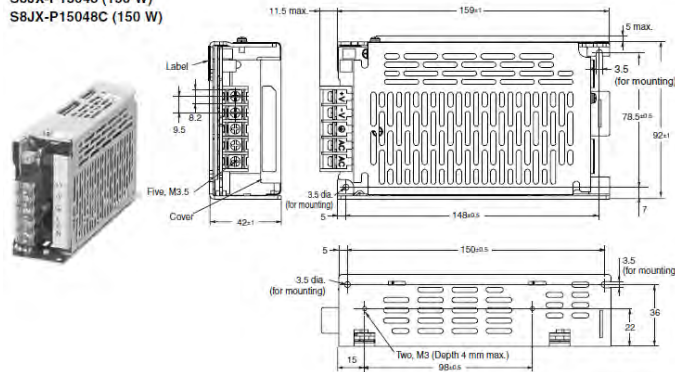
DIN Rail mounting

- S8JX-P15012D (150 W)
- S8JX-P15012CD (150 W)
- S8JX-P15024D (150 W)
- S8JX-P15024CD (150 W)
- S8JX-P15048D (150 W)
- S8JX-P15048CD (150 W)



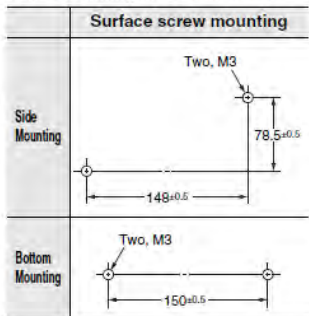
**Side mounting / Bottom mounting /
Front mounting (common)**

- S8JX-P15012 (150 W)
- S8JX-P15012C (150 W)
- S8JX-P15024 (150 W)
- S8JX-P15024C (150 W)
- S8JX-P15048 (150 W)
- S8JX-P15048C (150 W)



Side mounting / Bottom mounting

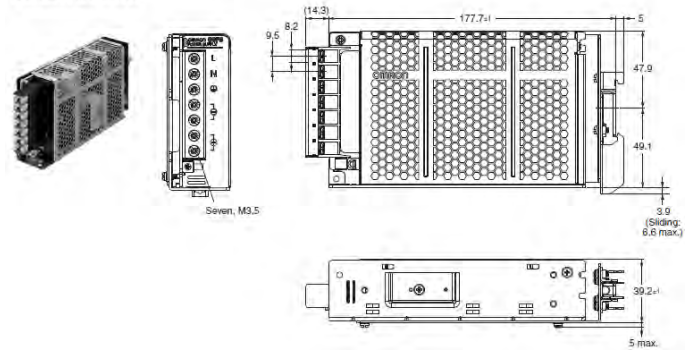
Panel mounting holes dimensions



<150W (12V,24V,48V) Models>

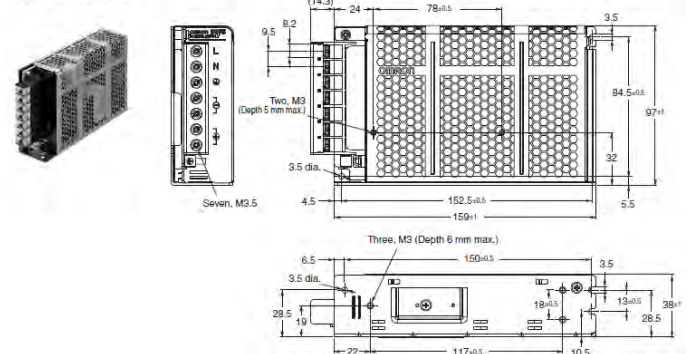
DIN Rail mounting

S8FS-G150□□CD

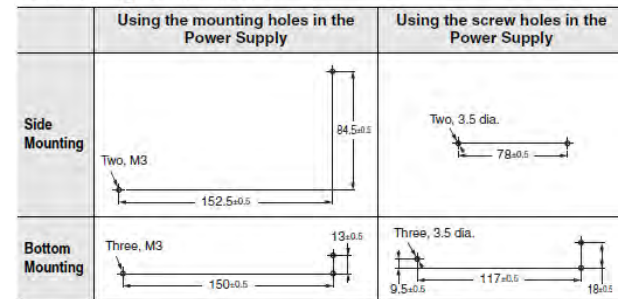


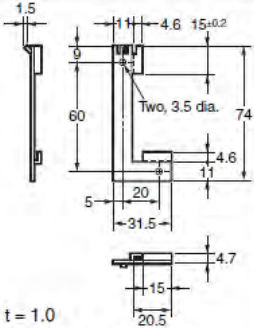
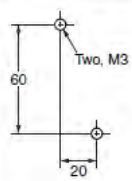
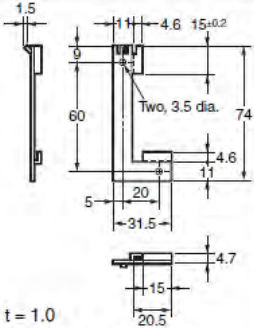
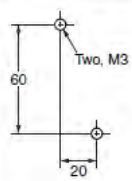
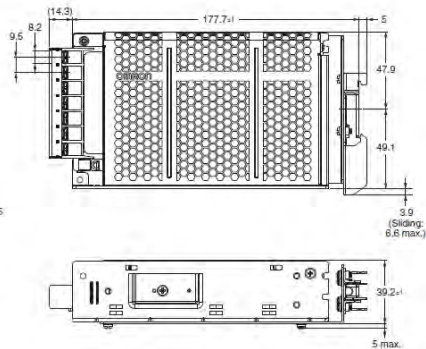
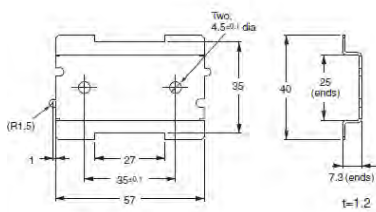
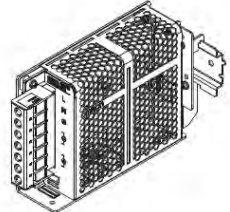
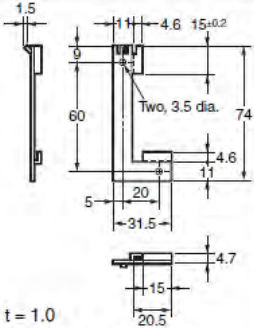
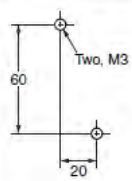
Side mounting / Bottom mounting

S8FS-G150□□C



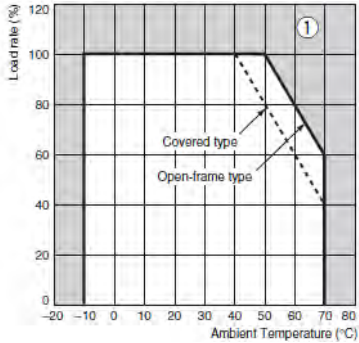
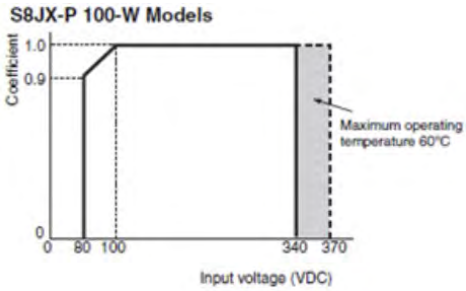
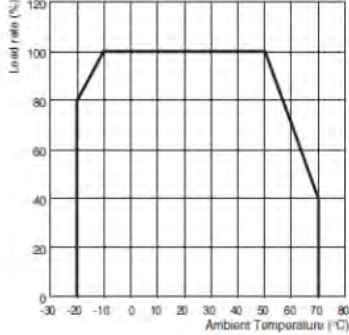
Panel mounting holes dimensions

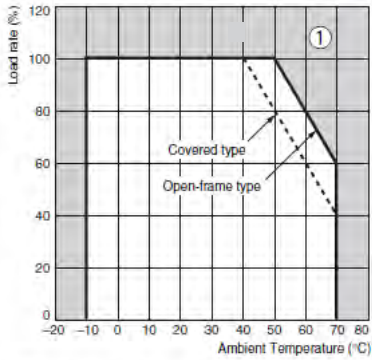
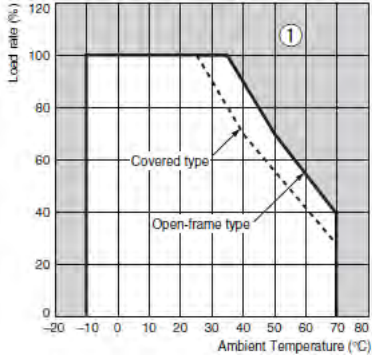
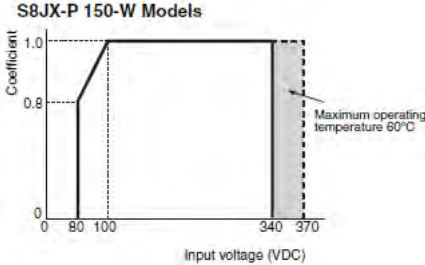



Product discontinuation Model S8JX-P series	Recommended replacement Model S8FS-G series				
<p><150W (12V,24V,48V) Models> Front mounting S82Y-J00F Front-mounting Bracket</p> <table border="1" data-bbox="110 306 537 737"> <thead> <tr> <th data-bbox="110 306 383 359">Dimensions</th> <th data-bbox="383 306 537 359">Mounting dimensions</th> </tr> </thead> <tbody> <tr> <td data-bbox="110 359 383 737">  <p><i>t</i> = 1.0 Material: Stainless steel</p> </td> <td data-bbox="383 359 537 737">  </td> </tr> </tbody> </table>	Dimensions	Mounting dimensions	 <p><i>t</i> = 1.0 Material: Stainless steel</p>		<p><150W (12V,24V,48V) Models> Front mounting Available for front-mounting by the combination of DIN Rail-mounting type and front-mounting bracket (Model S82Y-FSG-30F). S8FS-G150□□CD</p>  <p>S82Y-FSG-30F</p>  
Dimensions	Mounting dimensions				
 <p><i>t</i> = 1.0 Material: Stainless steel</p>					

Characteristics

Item	Product discontinuation Model S8JX-P series	Recommended replacement Model S8FS-G series
Input voltage	50W,100W,150W Models 100 to 240 VAC(85 to 264 VAC) free input 80 to 370 VDC	50W,100W,150W Models 100 to 240 VAC (85 to 264 VAC) free input 120 to 370 VDC
Current	50W Model 0.75 A max.(100 VAC input) 0.4 A max.(200 VAC input) 100W Model 1.4 A max.(100 VAC input) 0.75 A max.(200 VAC input) 150W Model 2.1 A max.(100 VAC input) 1.1 A max.(200 VAC input)	50W Model 1.1 A typ.(100 VAC input) 0.62 A typ.(200 VAC input) 100W Model 2.1 A typ.(100 VAC input) 1.2 A typ.(200 VAC input) 150W Model 3 A typ.(100 VAC input) 1.8 A typ.(200 VAC input)
Power factor	50W,100W,150W Models 0.9 min.	50W,100W,150W Models —
Harmonic current emissions	50W,100W,150W Models Conforms to EN 61000-3-2	50W,100W Models Conforms to EN 61000-3-2 150W Models Conforms to EN 61000-3-2 (Applicable at 80% or less of the rated load.)
Inrush current	50W,100W,150W Models 17.5 A max.(100VAC input) 35 A max.(200VAC input) *for cold start at 25 °C	50W,100W,150W Models 14 A typ. (100 VAC input) 28 A typ. (200 VAC input) *for cold start at 25 °C

Item	Product discontinuation Model S8JX-P series	Recommended replacement Model S8FS-G series
Startup time	50W,100W,150W Models 1000 ms max.	50W,100W,150W Models 1000 ms max.
Hold time	50W,100W,150W Models 20 ms min.	50W,100W,150W Models 8 ms min. (100 VAC input) 16 ms min. (200 VAC input)
Overload protection	50W Model 105 to 160% of rated load current, voltage drop, intermittent, automatic reset 100W,150W Models 105 to 160% of rated load current, voltage drop, automatic reset	50W,100W,150W Models 105 to 160% of rated load current, voltage drop, intermittent, automatic reset
Parallel operation	50W,100W,150W Models No	50W,100W,150W Models No
Cooling method	50W,100W,150W Models Natural cooling	50W,100W,150W Models Natural cooling`
Derating curves	<p>50W,100W Models</p>  <p>(For Customers using 100-W type for a DC Input) When using an input voltage of less than 100 VDC, reduce the load calculated with the above derating curve by at least the following coefficients. When using a voltage exceeding 340 VDC, the ambient temperature should be 60°C or less.</p> <p>S8JX-P 100-W Models</p> 	<p>50W Models</p>  <p>Note: At less than 100 VAC, derate the load at 1.3%/V.</p>

Item	Product discontinuation Model S8JX-P series	Recommended replacement Model S8FS-G series
Derating curves	<p>150W Model DIN Rail mounting / Front mounting / Bottom mounting</p>  <p>Side mounting</p>  <p>Note: 1 (For customers using 150-W type for a DC Input) When using an input voltage of less than 100 VDC, reduce the load calculated with the above derating curve by at least the following coefficients. When using a voltage exceeding 340 VDC, the ambient temperature should be 60°C or less.</p> <p>S8JX-P 150-W Models</p> 	<p>100W,150W Models</p>  <p>Note: At less than 100 VAC, derate the load at 1.3%/V.</p>

Specifications and prices in this product news are as of the issue date and are subject to change without notice. Only main changes in specifications are described in this document. Please be sure to read the relevant catalogs, datasheets, product specifications, instructions, and manuals for precautions and necessary information when using products.