

PRODUCT CHANGE NOTIFICATION

#PCN-DC-HTDX-13

Business Unit	Product Line Code	Type of Change	Action	Date of issue
DC	ABQ	Aesthetic	Notify Distributors and Field	1/11/2013

The following Phoenix Contact products have been modified. Existing specifications will be met or exceeded. Please review and acknowledge this document and inform your personnel as needed.

Description of Change:

Change of the nut for the M12 back panel articles with M12x1 thread.

For the M12 back panel device connectors with M12x1 fastening thread, the thickness of the locking nut will change from 2.0mm to 2.8mm. With this change it will be possible to screw the nut smoothly over the SPEEDCON thread on the M12 fastening thread.
 The mounting recommendation will not change.

Warranty Information:

Stock Status

Can existing stock still be used? Y

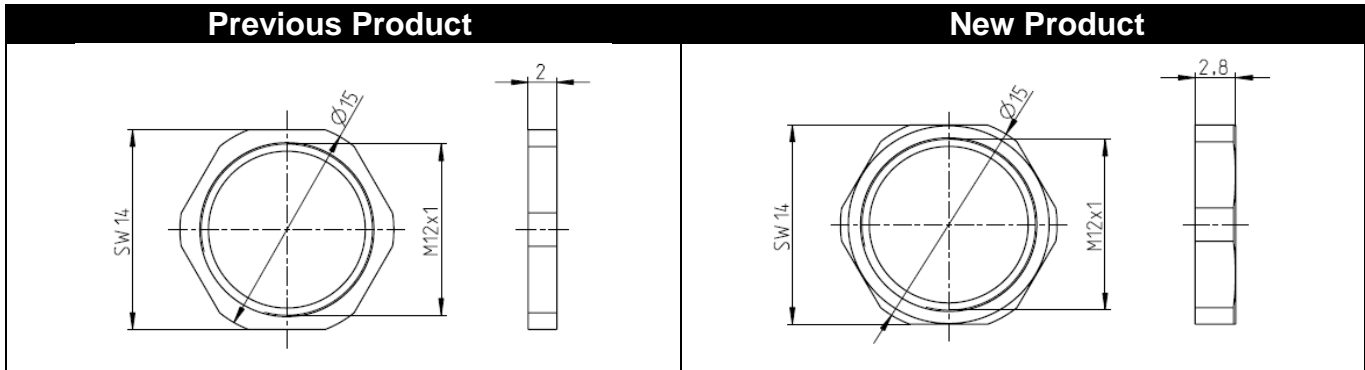
Is mixture of stock acceptable? N

Transaction Dates:

Date modification goes into effect from Germany: 7/11/2012

Expected first shipment (from Phoenix Contact) of the modified product(s): 1/1/2013

PRODUCT CHANGE NOTIFICATION



Should you have any issues with the timeline or content of this change, please contact Phoenix Contact using the contact information below. Customers should acknowledge receipt of the PCN within 30 days of delivery of the PCN; provided, however that the failure to acknowledge receipt does not affect the product change or the effective date thereof.

Contact Info:

LYNDSEY WALLING
Marketing lead Specialist
(800)888-7388x3722
lwalling@phoenixcon.com

Thank you,



Steve Barber,
Product Marketing Manager

PRODUCT CHANGE NOTIFICATION

Part#	Type Description
1551820	SACC-DSI-MS-4CON-M12 SCO
1552955	SACC-DSI-MS-4CON-M12-SCO SH
1551859	SACC-DSI-MSD-4CON-M12 SCO
1552984	SACC-DSI-MSD-4CON-M12-SCO SH
1551833	SACC-DSI-MS-5CON-M12 SCO
1552968	SACC-DSI-MS-5CON-M12-SCO SH
1551846	SACC-DSI-MSB-5CON-M12 SCO
1552971	SACC-DSI-MSB-5CON-M12-SCO SH
1551862	SACC-DSI-MS-8CON-M12 SCO
1552997	SACC-DSI-MS-8CON-M12-SCO SH
1559945	SACC-DSI-MS-12CON-M12 SCO
1559974	SACC-DSI-MS-17CON-M12 SCO
1437106	SACC-DSI-MS-12CON-M12 SCO SH
1437119	SACC-DSI-MS-17CON-M12 SCO SH
1440711	VS-EC-MSDB SH SCO
1551875	SACC-DSI-MS-4CON-M12/0,5 SCO
1551901	SACC-DSI-MSD-4CON-M12/0,5 SCO
1551888	SACC-DSI-MS-5CON-M12/0,5 SCO
1551891	SACC-DSI-MSB-5CON-M12/0,5 SCO
1551914	SACC-DSI-MS-8CON-M12/0,5 SCO
1437122	SACC-DSI-MS-12CON-M12/0,5 SCO
1437135	SACC-DSI-MS-17CON-M12/0,5 SCO
1405201	SACC-DSI-MS-4CON-M12/0,5SCO LP
1406420	SACC-DSI-MS-5CON-M12/0,5SCOCAN
1401814	SACC-DSI-MS-5P-M12/0,5 PVSQ0,5
1444911	SACC-DSI-MS-5P-M12/0,5 PVSQ0,6
1402137	SACC-DSI-MS-5P-M12/0,6 PVCS0,5
1444089	SACC-DSI-MS-8P-M12/0,5 0,14SCO