

PRODUCT CHANGE NOTIFICATION

#PCN-DC-W9HQ-13

Business Unit	Product Line Code	Type of Change	Action	Date of issue
DC	ABM	Aesthetic	Notify Distributors and Field	1/15/2013

The following Phoenix Contact products have been modified. Existing specifications will be met or exceeded. Please review and acknowledge this document and inform your personnel as needed.

Description of Change:

SUNCLIX

Changing of plastic material by field, device and Y-connetors.

The plastic material was changed to improve the handling and optic properties. We changed PA with PPE. The electrical characteristics remain the same. The certification will be updated.

The cable gland of field connector was lengthened to ensure much better handling.

Warranty Information:

Stock Status

Can existing stock still be used? Y

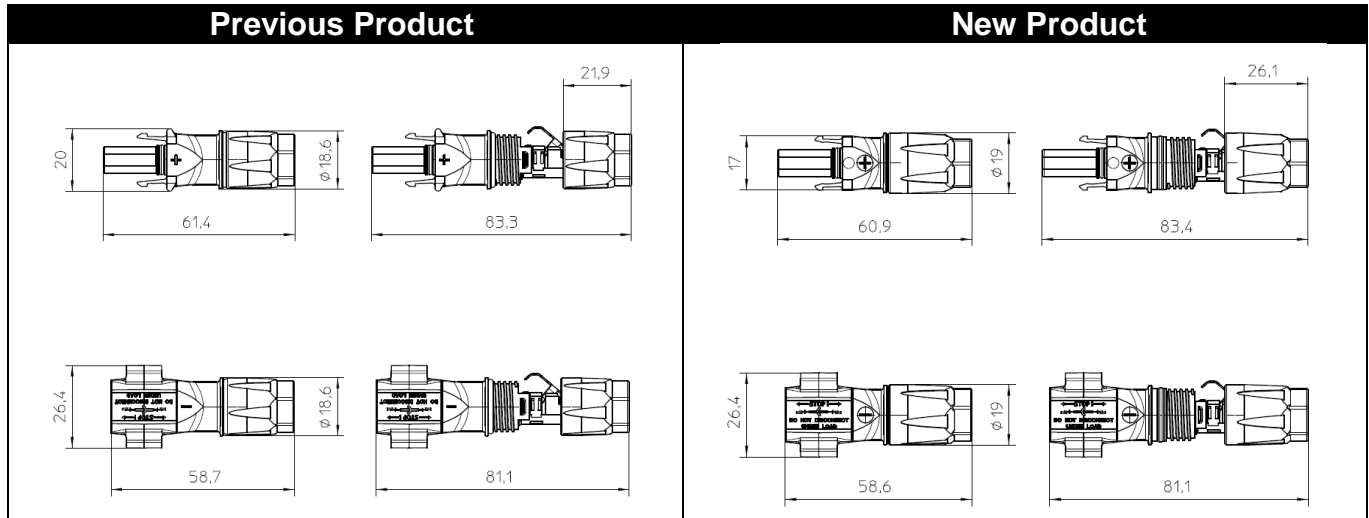
Is mixture of stock acceptable? N

Transaction Dates:

Date modification goes into effect from Germany: 5/30/2012

Expected first shipment (from Phoenix Contact) of the modified product(s): 7/1/2012

PRODUCT CHANGE NOTIFICATION



Should you have any issues with the timeline or content of this change, please contact Phoenix Contact using the contact information below. Customers should acknowledge receipt of the PCN within 30 days of delivery of the PCN; provided, however that the failure to acknowledge receipt does not affect the product change or the effective date thereof.

Contact Info:

LYNDSEY WALLING
Marketing lead Specialist
(800)888-7388x3722
lwalling@phoenixcon.com

Thank you,



Steve Barber,
Product Marketing Manager

PRODUCT CHANGE NOTIFICATION

Part#	Type Description
PV Device Connectors	
1804097	PV-FT-CF-C-2,5-235-BU-FE
1804107	PV-FT-CM-C-2,5-235-RD-FE
1805135	PV-FT-CF-C-2,5-130-BU
1805148	PV-FT-CM-C-2,5-130-RD
1805151	PV-FT-CF-C-4-130-BU
1805164	PV-FT-CM-C-4-130-RD
1805177	PV-FT-CF-C-6-130-BU
1805180	PV-FT-CM-C-6-130-RD
1805753	PV-FT-CF-C-6-3000
1805766	PV-FT-CM-C-6-3000
1806008	PV-FT-CF-C-4-350-BK
1806011	PV-FT-CM-C-4-350-BK
1806024	PV-FT-CF-C-6-350-BK
1806037	PV-FT-CM-C-6-350-BK
1810670	PV-FT-CM-C-4-135-BK-SP
1810683	PV-FT-CF-C-4-265-BK-SP
PV Y-Connectors	
1795019	PV-YC 4/ 1-0,12-SO2 (-/++)
1795022	PV-YC 4/ 1-0,12-SO2 (+/--)
1702495	PV-YC 6/ 1-0,20
1787726	PV-YC 6/ 1-0,12-SO3 (-/++)
1787739	PV-YC 6/ 1-0,12-SO3 (+/--)
PV Field Connectors	
1774674	PV-CF-S 2,5-6 (+)
1785867	PV-CF-S 2,5-6 (+) LBL3
1774687	PV-CM-S 2,5-6 (-)
1785870	PV-CM-S 2,5-6 (-) LBL4