

PRODUCT CHANGE NOTIFICATION

#PCN-TT-QQFK-14

Business Unit	Product Line Code	Type of Change	Action	Date of issue
TT	CL1 CL2 CL3	Mechanical	Notify Distributors and Field	5/29/2014

The following Phoenix Contact products have been modified. Existing specifications will be met or exceeded. Please review and acknowledge this document and inform your personnel as needed.

Description of Change:

The housing has been changed on the side and at the bottom. Overall footprint/dimensions remain unchanged.

Warranty Information:

N/A

Stock Status

Can existing stock still be used? Y

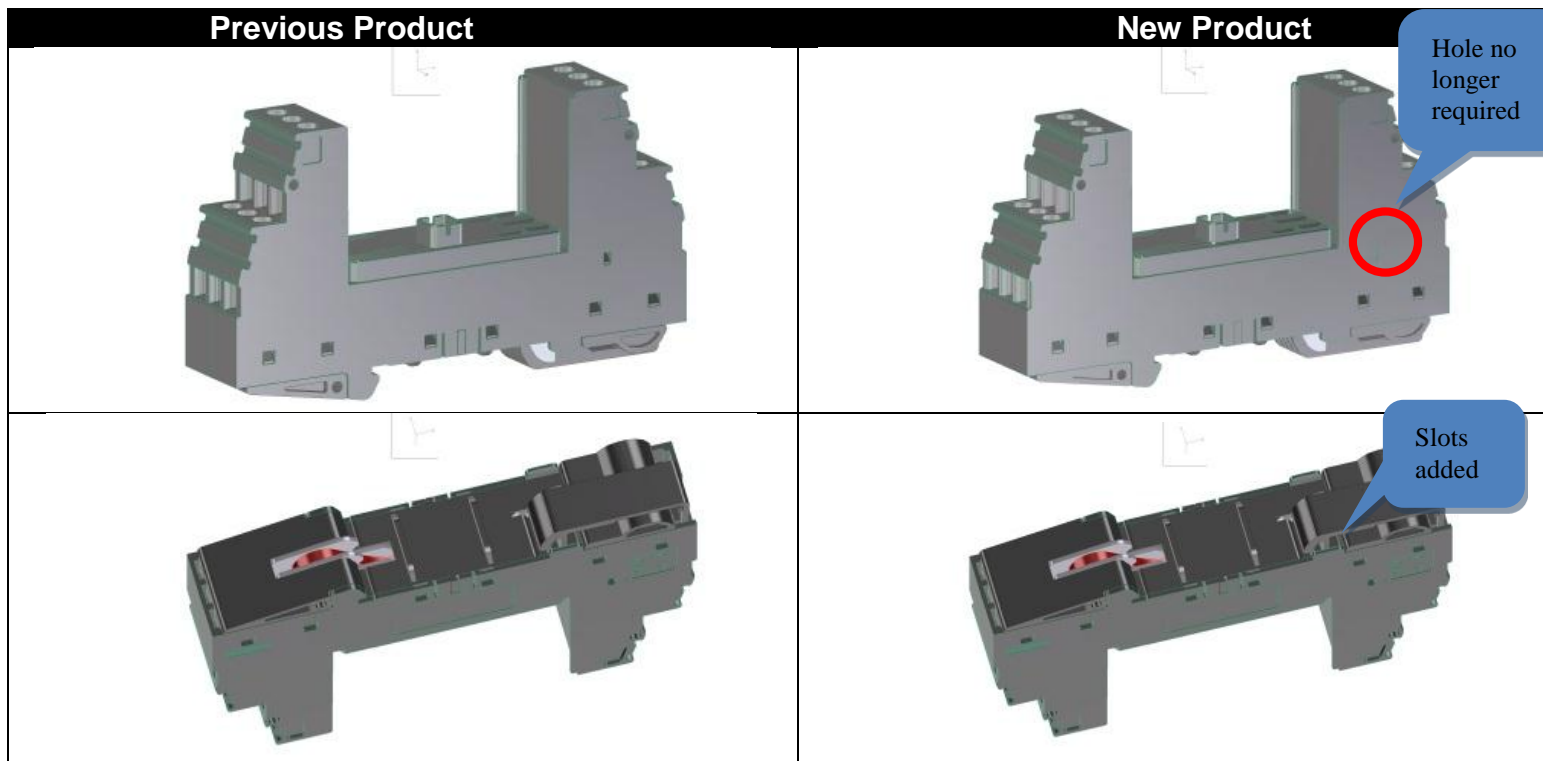
Is mixture of stock acceptable? N

Transaction Dates:

Date modification goes into effect from Germany: 5/21/2014

Expected first shipment (from Phoenix Contact) of the modified product(s): 1Q/2015

PRODUCT CHANGE NOTIFICATION



Should you have any issues with the timeline or content of this change, please contact Phoenix Contact using the contact information below. Customers should acknowledge receipt of the PCN within 30 days of delivery of the PCN; provided, however that the failure to acknowledge receipt does not affect the product change or the effective date thereof.

Contact Info:

Matt Hemphill
mhemphill@phoenixcon.com
(717) 944-1300 x3367

Thank you,



Surge and Overcurrent Protection, Product Marketing Manager

PRODUCT CHANGE NOTIFICATION

Part#	Type Description
2839208	PT 2X2-BE
2839282	PT-BE/FM
2800457	PT 2-PE/S-24AC/FM
2800594	PT 2-PE/S-230AC/FM-GY
2800614	PT 4X1-OC-BE
2800961	PT 2-PE/S-60AC/FM
2804487	PT 2X2-TTY
2805130	PT 2-IT-230AC/FM
2805460	PT 2X1-VF-230AC
2817958	PT 2+1-S-48DC/FM
2839208	PT 2X2-BE
2839224	PT 2X2+F-BE
2839279	PT 2XEX(I)-BE
2839282	PT-BE/FM
2839363	PT 4X1-BE
2839376	PT 4X1+F-BE
2839402	PT 4-BE
2839415	PT 4+F-BE
2839486	PT 4-EX(I)-BE
2856113	PT 1X2-BE
2856126	PT 1X2+F-BE
2856139	PT 2X1-BE
2856142	PT 2X1+F-BE
2856265	PT PE/S+1X2-BE
2856812	PT 2-PE/S-120AC/FM
2858357	PT 2-PE/S-230AC/FM
2859327	PT 2X1-VF-120AC
2882459	PT 4-PE/S-230AC/FM
2882475	PT 4-PE/S-BE/FM
2882828	PT 2-TELE
2901339	PV-SET 8ST-F-VM-SPD-SD-SC
2920010	PT 1X2-BE/FM
2920023	PT 1X2+F-BE/FM
2920036	PT 2X1-BE/FM
2920049	PT 2X1+F-BE/FM