

1 Products affected

Product hierarchy no. *				Part no.	SBU	Type / Description	Customer part no.
SBU PG	PGU	Type					
02	006	016	0000001600	5145.XXXX	Power Entry Module with Filter	5145	

*SBU (2-digit) / PG (3-digit) / PGU (3-digit) / Type (10-digit)

List of affected part numbers see list below.

2 Type of change

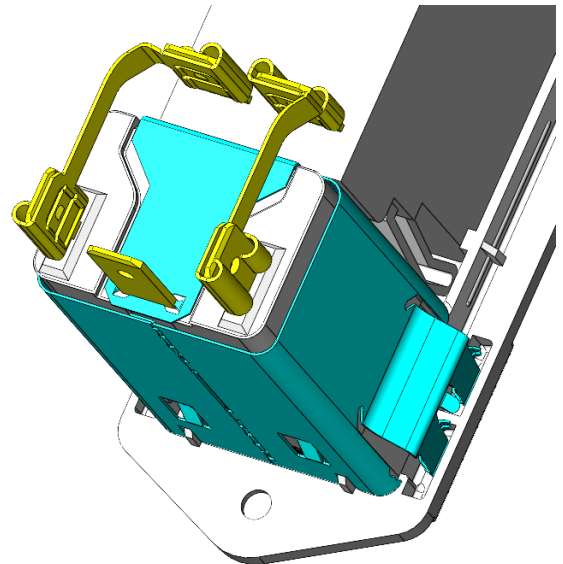
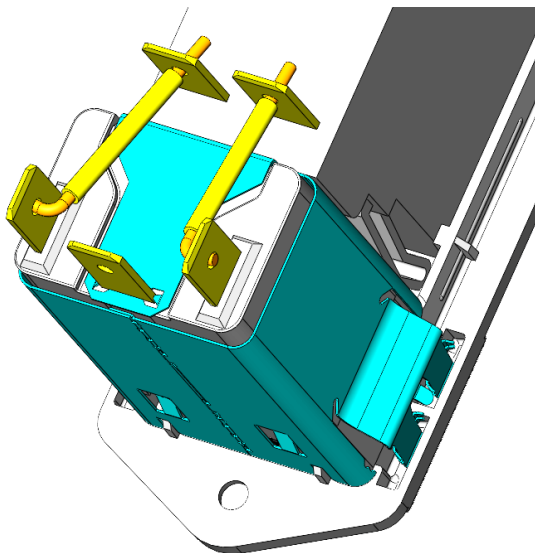
- a) New internal wiring.
- b) Shift of production location.

3 Detailed description of change

- a) Soldered wire connection between filter and circuit breaker replaced by faston connection.

Old version:

New version:



5145					0118.2221	
creation date	created by	release date	released by	notification no.	revision	page
2014-05-27	huberth	2014-08-13	schaidro	26198	-	1 of 3

- b) Production relocation from Switzerland to Czech Republic.
New Country of Origin (CoO).

Old packing label:

SCHURTER		RoHS COMPLIANT	
(1P) Part No. 5145.0012.511		CE	
(Q) Qty. 20		5-ABTWF060C0-511	
(1T) Lot No. 1764711		5145	
(9D) Date Code 1432			
SE	(4L) CoO CH		

New packing label:

SCHURTER		RoHS COMPLIANT	
(1P) Part No. 5145.0012.511		CE	
(Q) Qty. 20		5-ABTWF060C0-511	
(1T) Lot No. 1764711		5145	
(9D) Date Code 1432			
ST	(4L) CoO CZ		

4 Reason of change

- a) Elimination of the critical soldering process on the quick connect terminal.
b) Consolidation of production sites.

5 Release date

- a) The change will be rolled-out starting ww 32/2014 and lasts approx. 3 months depending on the variant.
b) The change will be rolled-out starting ww 39/2014 and lasts approx. 3 months depending on the variant.

6 Impact of change and recommended action

Form: New connection on back side, no change of outer dimensions.
Fit: N/A
Function: N/A
Production Site: Country of Origin (CoO) changes from CH to CZ.
Product Label: Country of Origin (CoO) changes from Switzerland (CH) to Czech Republic (CZ).

5145					0118.2221	
creation date	created by	release date	released by	notification no.	revision	page
2014-05-27	huberth	2014-08-13	schaidro	26198	-	2 of 3

7 Reference Documents / Attachments

Kind of document	Document number	Remarks
Data Sheet 5145	5145	
PCN TA45	0118.2228	

List of affected part numbers				
5145.0012.511	5145.0012.611	5145.0012.711	5145.0022.611	5145.0022.711
5145.0022.731	5145.0022.811	5145.0031.810	5145.0031.811	5145.0031.830
5145.0031.831	5145.0040.211	5145.0040.231	5145.0423.611	5145.0429.611
5145.0470.711	5145.0470.730	5145.0470.731	5145.0470.811	5145.0470.831
5145.0470.831.01	5145.0520.831	5145.0543.311	5145.0551.511	5145.0562.411
5145.0586.511	5145.0586.531	5145.0617.511	5145.0617.711	5145.0646.610
5145.0646.611	5145.0646.631	5145.0646.731	5145.0677.131	5145.0764.711
5145.0764.811	5145.0764.831	5145.0778.731	5145.0847.511	5145.0847.531
5145.0847.810	5145.0861.830	5145.0861.831	5145.0879.310	5145.0880.110
5145.0881.111	5145.0882.210	5145.0882.211	5145.0884.611	5145.0885.810
5145.0885.811	5145.0885.831	5145.0885.831.01	5145.0890.831	5145.0893.711
5145.0979.711	5145.0990.531	5145.0991.510	5145.0991.511	5145.0991.531
5145.0991.611	5145.0991.611.01	5145.1034.811	5145.1034.831	5145.1089.811
5145.1089.831	5145.1184.631	5145.1271.311	5145.1356.411	5145.1474.631
5145.1477.711	5145.1518.511	5145.1593.731	5145.1682.811	5145.1698.811
5145.1736.811	5145.2078.831	5145.2090.211	5145.2091.411	5145.2166.111
5145.2217.711	5145.2304.731	5145.2305.831	5145.2405.811	5145.2421.431
5145.2451.211	5145.2754.811	5145.2755.811	5145.2770.811	5145.2772.731
5145.2773.811	5145.2773.831	5145.2774.131	5145.2775.231	5145.2782.510
5145.2810.511	5145.2836.811	5145.2837.810	5145.2837.811	5145.2841.111
5145.2844.411	5145.2851.811	5145.2857.511	5145.2857.531	5145.2858.230
5145.2858.231	5145.2882.811	5145.2911.631	5145.2956.111	5145.3000.811
5145.3000.830	5145.3158.731	5145.3162.531	5145.3303.831	5145.3383.110
5145.3383.111	5145.3417.811	5145.3455.830	5145.3522.331	5145.3523.531
5145.3583.510	5145.3768.711			

5145					0118.2221	
creation date	created by	release date	released by	notification no.	revision	page
2014-05-27	huberth	2014-08-13	schaidro	26198	-	3 of 3