



Product Change Notification

TE Connectivity

Product Change Notification: PCN-21-117017

PCN Date: 31-JAN-22

TE would like to inform you of the following change(s) to the listed TE Connectivity Product. In case of any further questions about this change(s), please contact your TE Connectivity Sales Engineer. Affected part, drawing and/or specification numbers are listed on the attached sheet(s).

General Product Description:

GPL 296: AMPMODU MTE HEADER ASSEMBLIES

Description of Changes

Allowing the use of up to 50% maximum regrind in the housings. Making tool change at base of housing at the latch area optional at molder's discretion. This tooling change will allow manufacturing an option to prevent flash in the latch area.

Other attachments:

[Optional Tooling Change](#)

Reason for Changes:

Manufacturing request for product improvement. Clarification of the Following PCNs: PCN E-20-000310 & PCN E-21-005551; PCN-E-20-000624 & PCN E-21-005720 and PCN E-20-000650 & PCN E-21-005993.

PCN Attributes:

Product Category:

Kind of Change:

Change Feature:

Potential Customer Impact:

Remarks:

Estimated Dates:

Last Order Date (Obsolete Parts Only):

First Ship Date of Changed Items (Changed Parts Only):

13-OCT-2021

Last Ship Date of Changed Items (Obsolete Parts Only):

Last Date for Mixed Shipments: (Changed Parts Only):

31-OCT-2021

Effectivity Date:

Date of First Samples:

Part Number(s) being Modified:

Part Number	Part Discontinued per PCN	Customer Drawing	Customer Part Number	Alias Part Number(s)	Substitute Part Number	Substitute Alias Part Number(s)	Description Of Difference
1-103634-5	NO						
1-103635-2	NO						
1-103638-3	NO						
1-103639-5	NO						
1-103670-5	NO						
1-103673-6	NO						
1-103673-9	NO						
103634-2	NO						
103634-8	NO						
103635-1	NO						
103635-3	NO			"AMP-0-0103635-3", "E18345-000"			
103638-1	NO						
103638-2	NO			"407085000"			
103638-3	NO						
103638-4	NO						
103638-5	NO			"407161199"			
103638-9	NO						
103639-2	NO						
103639-5	NO						
103639-6	NO						
103639-7	NO						
103669-2	NO						
103669-3	NO						
103670-1	NO						
103670-2	NO						
103670-3	NO			"4-40001-6591"			
103670-4	NO						
103670-6	NO						
103670-7	NO						
103670-9	NO						

Part Number	Part Discontinued per PCN	Customer Drawing	Customer Part Number	Alias Part Number(s)	Substitute Part Number	Substitute Alias Part Number(s)	Description Of Difference
103673-1	NO						
103673-5	NO						
103673-6	NO						
103673-7	NO						
103735-1	NO						
103735-9	NO						
103904-2	NO			"2-42938-5377"			
103908-1	NO			"406746073"			
103908-2	NO						
103908-3	NO			"406803577"			
103908-4	NO						
104361-2	NO			"406790659"			
104361-5	NO						
104362-2	NO						
147278-3	NO						
147323-1	NO						
2-103639-5	NO						
5-103634-1	NO						
5-103634-2	NO						
5-103634-3	NO						
5-103634-4	NO						
5-103634-6	NO						
5-103634-7	NO						
5-103634-8	NO						
5-103634-9	NO						
5-103635-1	NO						
5-103635-2	NO						
5-103635-3	NO						
5-103635-4	NO						
5-103635-5	NO						
5-103635-7	NO						
5-103635-9	NO						
5-103639-1	NO						
5-103639-2	NO						
5-103639-3	NO						
5-103639-4	NO						

Part Number	Part Discontinued per PCN	Customer Drawing	Customer Part Number	Alias Part Number(s)	Substitute Part Number	Substitute Alias Part Number(s)	Description Of Difference
5-103639-5	NO						
5-103639-6	NO						
5-103639-7	NO						
5-103639-9	NO						
5-103669-1	NO						
5-103669-2	NO						
5-103669-3	NO						
5-103669-4	NO						
5-103669-5	NO						
5-103669-6	NO						
5-103669-7	NO						
5-103669-8	NO						
5-103669-9	NO						
5-103672-3	NO						
5-103672-4	NO						
5-103672-5	NO						
5-103672-7	NO						
5-103673-1	NO						
5-103673-2	NO						
5-103673-3	NO						
5-103673-4	NO						
5-103673-7	NO			"CW5998-000", "PER-5-103673-7"			
5-103673-8	NO						
5-103673-9	NO						
5-103735-1	NO						
5-103735-2	NO						
5-103735-3	NO						
5-103735-4	NO						
5-103735-5	NO						
5-103735-6	NO						
5-103735-8	NO						
5-103735-9	NO						
5-103904-1	NO						
5-103904-2	NO						
5-103904-3	NO						

Part Number	Part Discontinued per PCN	Customer Drawing	Customer Part Number	Alias Part Number(s)	Substitute Part Number	Substitute Alias Part Number(s)	Description Of Difference
5-103904-4	NO						
5-103904-6	NO						
5-103908-1	NO						
5-103908-2	NO						
5-103908-3	NO						
5-103908-4	NO						
5-103908-5	NO						
5-103908-6	NO						
5-103908-7	NO						
5-103908-8	NO						
5-103908-9	NO						
5-104361-1	NO						
5-104361-2	NO						
5-104361-3	NO						
5-104361-4	NO						
5-104361-5	NO						
5-104361-6	NO						
5-104361-7	NO						
5-104361-8	NO						
5-104361-9	NO						
5-104362-1	NO						
5-104362-2	NO						
5-104362-3	NO						
5-104362-4	NO						
5-104362-5	NO						
5-104362-6	NO						
5-104362-7	NO						
5-104362-8	NO						
5-104362-9	NO						
5-104450-1	NO						
5-104450-2	NO						
5-104450-3	NO						
5-104450-4	NO						
5-104450-5	NO						
5-104809-1	NO						
5-104809-2	NO						

Part Number	Part Discontinued per PCN	Customer Drawing	Customer Part Number	Alias Part Number(s)	Substitute Part Number	Substitute Alias Part Number(s)	Description Of Difference
5-104809-3	NO						
5-104809-4	NO						
5-104809-7	NO						
5-104809-9	NO						
5-104935-1	NO						
5-104935-2	NO						
5-104935-3	NO						
5-104935-5	NO						
5-104935-6	NO			"2-42938-4341"			
5-104935-7	NO						
5-104935-8	NO						
5-104935-9	NO						
5-1375549-3	NO						
5-1375582-3	NO						
5-1375582-5	NO						
5-1375582-7	NO						
5-1375582-9	NO						
5-1375583-1	NO						
5-147278-2	NO						
5-147278-3	NO						
5-147278-4	NO						
5-147278-5	NO						
5-147278-7	NO						
5-147278-9	NO						
5-147323-3	NO						
5-147323-4	NO						
5-147324-1	NO						
5-147324-2	NO						
6-103634-1	NO						
6-103634-3	NO						
6-103634-5	NO						
6-103635-0	NO						
6-103635-1	NO						
6-103635-3	NO						
6-103635-5	NO						
6-103635-7	NO						

Part Number	Part Discontinued per PCN	Customer Drawing	Customer Part Number	Alias Part Number(s)	Substitute Part Number	Substitute Alias Part Number(s)	Description Of Difference
6-103639-1	NO						
6-103639-3	NO						
6-103639-9	NO						
6-103669-1	NO						
6-103673-6	NO						
6-103673-9	NO						
6-103735-1	NO						
6-103735-3	NO						
6-103735-9	NO						
6-103904-1	NO						
6-103904-7	NO						
6-103908-1	NO						
6-103908-3	NO						
6-103908-5	NO						
6-104910-2	NO						
6-104910-3	NO						
6-104910-4	NO						
6-104910-5	NO						
6-104935-0	NO						
6-104935-1	NO						
6-104935-3	NO						
6-147323-1	NO						
6-147323-4	NO						

The documents listed below are being modified. Related parts that are not explicitly listed on this PCN are not being modified or discontinued as per the PCN. The Last Order Date, Last Ship Date, First Date to Ship Changed Parts and last date for Mixed Shipments apply only to parts explicitly listed on this PCN.

Customer Drawing(s) Being Modified:

Drawing Number	Related Part Number	Customer Part Number	Current Revision	New Revision
103634	5-103634-1, 1-103634-5		W	
103635	5-103635-1, 1-103635-2		U	
103638	1-103638-3		T	
103639	5-103639-3, 5-103639-1, 1-103639-5		AA	
103669	103669-2, 5-103669-1		AC	
103670	1-103670-5		U	

Drawing Number	Related Part Number	Customer Part Number	Current Revision	New Revision
103672	5-103672-3, 5-103672-4		AE	
103673	1-103673-6		V	
103735	5-103735-1, 103735-1		W	
103904	103904-2, 6-103904-1		S	
103906	1-103906-1		P	
103908	5-103908-3, 103908-1		S	
104361	104361-2, 5-104361-3		S	
104362	5-104362-3, 5-104362-4, 104362-2, 5-104362-1		W	
104363	5-104363-1, 5-104363-9		U	
104450	5-104450-1, 5-104450-2		AF	
104809	5-104809-9, 5-104809-1		N	
104910	6-104910-2		J	
104935	5-104935-1		H	
1375549	5-1375549-3		F	
1375582	5-1375582-9, 5-1375582-5, 5-1375582-3		G	
1375583	5-1375583-1		F	
147278	5-147278-9, 5-147278-3, 147278-3		M1	
147323	147323-1, 5-147323-3, 5-147323-4		H	
147324	5-147324-2, 5-147324-1		L	

Part Number(s) being Modified:

Part Number	Part Discontinued per PCN	Customer Drawing	Customer Part Number	Alias Part Number(s)	Substitute Part Number	Substitute Alias Part Number(s)	Description Of Difference
5-104361-3	NO						
5-104361-5	NO						
5-104361-9	NO						
5-104362-4	NO						
5-104362-5	NO						
5-104450-2	NO						

Part Number	Part Discontinued per PCN	Customer Drawing	Customer Part Number	Alias Part Number(s)	Substitute Part Number	Substitute Alias Part Number(s)	Description Of Difference
5-104450-4	NO						
5-104809-1	NO						
5-104809-2	NO						
5-104809-7	NO						
5-1375549-3	NO						
5-1375582-3	NO						
5-1375582-5	NO						
5-1375582-7	NO						
5-147278-9	NO						
5-147323-4	NO						
5-147324-1	NO						
5-147324-2	NO						

The documents listed below are being modified. Related parts that are not explicitly listed on this PCN are not being modified or discontinued as per the PCN. The Last Order Date, Last Ship Date, First Date to Ship Changed Parts and last date for Mixed Shipments apply only to parts explicitly listed on this PCN.

Customer Drawing(s) Being Modified:

Drawing Number	Related Part Number	Customer Part Number	Current Revision	New Revision
104361	5-104361-3		S	
104362	5-104362-4		W	
104363	5-104363-9		U	
104450	5-104450-2		AF	
104809	5-104809-1		N	
1375549	5-1375549-3		F	

Drawing Number	Related Part Number	Customer Part Number	Current Revision	New Revision
1375582	5-1375582-3		G	
147278	5-147278-9		M1	
147323	5-147323-4		H	
147324	5-147324-1		L	

Part Number(s) being Modified:

Part Number	Part Discontinued per PCN	Customer Drawing	Customer Part Number	Alias Part Number(s)	Substitute Part Number	Substitute Alias Part Number(s)	Description Of Difference
5-103634-1	NO						
5-103634-2	NO						
5-103635-1	NO						
5-103635-2	NO						
5-103635-3	NO						
5-103635-4	NO						
5-103635-9	NO						
5-103639-1	NO						
5-103669-1	NO						
5-103672-3	NO						
5-103672-4	NO						
5-104361-3	NO						
5-104361-5	NO						

Part Number	Part Discontinued per PCN	Customer Drawing	Customer Part Number	Alias Part Number(s)	Substitute Part Number	Substitute Alias Part Number(s)	Description Of Difference
5-104361-9	NO						
5-104362-3	NO						
5-104362-4	NO						
5-104362-5	NO						
5-104362-7	NO						
5-104450-1	NO						
5-104450-2	NO						
5-104450-4	NO						
5-104809-1	NO						
5-104809-7	NO						
5-104809-9	NO						
5-1375549-3	NO						
5-1375582-5	NO						
5-1375582-9	NO						
5-147278-3	NO						
5-147278-4	NO						
5-147278-7	NO						
5-147323-4	NO						

Part Number	Part Discontinued per PCN	Customer Drawing	Customer Part Number	Alias Part Number(s)	Substitute Part Number	Substitute Alias Part Number(s)	Description Of Difference
5-147324-1	NO						
5-147324-2	NO						

The documents listed below are being modified. Related parts that are not explicitly listed on this PCN are not being modified or discontinued as per the PCN. The Last Order Date, Last Ship Date, First Date to Ship Changed Parts and last date for Mixed Shipments apply only to parts explicitly listed on this PCN.

Customer Drawing(s) Being Modified:

Drawing Number	Related Part Number	Customer Part Number	Current Revision	New Revision
104361	5-104361-3		S	
104362	5-104362-4		W	
104363	5-104363-9		U	
104450	5-104450-2		AF	
104809	5-104809-1		N	
1375549	5-1375549-3		F	
1375582	5-1375582-9		G	
147323	5-147323-4		H	
147324	5-147324-1		L	

Part Number(s) being Modified:

Part Number	Part Discontinued per PCN	Customer Drawing	Customer Part Number	Alias Part Number(s)	Substitute Part Number	Substitute Alias Part Number(s)	Description Of Difference
5-103634-1	NO						
5-103634-2	NO						
5-103635-1	NO						
5-103635-2	NO						
5-103635-3	NO						

Part Number	Part Discontinued per PCN	Customer Drawing	Customer Part Number	Alias Part Number(s)	Substitute Part Number	Substitute Alias Part Number(s)	Description Of Difference
5-103635-4	NO						
5-103635-9	NO						
5-103639-1	NO						
5-103669-1	NO						
5-103672-3	NO						
5-103672-4	NO						
5-104361-3	NO						
5-104361-5	NO						
5-104362-3	NO						
5-104362-4	NO						
5-104362-5	NO						
5-104362-7	NO						
5-104450-1	NO						
5-104450-2	NO						
5-104809-9	NO						
5-1375582-5	NO						
5-1375582-9	NO						
5-147278-3	NO						

Part Number	Part Discontinued per PCN	Customer Drawing	Customer Part Number	Alias Part Number(s)	Substitute Part Number	Substitute Alias Part Number(s)	Description Of Difference
5-147278-4	NO						
5-147278-7	NO						
5-147323-4	NO						
5-147324-2	NO						

The documents listed below are being modified. Related parts that are not explicitly listed on this PCN are not being modified or discontinued as per the PCN. The Last Order Date, Last Ship Date, First Date to Ship Changed Parts and last date for Mixed Shipments apply only to parts explicitly listed on this PCN.

Customer Drawing(s) Being Modified:

Drawing Number	Related Part Number	Customer Part Number	Current Revision	New Revision
103634	5-103634-1		W	
103635	5-103635-1		U	
103639	5-103639-1		AA	
103669	5-103669-1		AC	
103672	5-103672-3		AE	
104361	5-104361-3		S	
104362	5-104362-3		W	
104363	5-104363-1		U	
104450	5-104450-1		AF	
104809	5-104809-9		N	
1375582	5-1375582-5		G	
147278	5-147278-3		M1	
147323	5-147323-4		H	
147324	5-147324-2		L	

Part Number(s) being Modified:

Part Number	Part Discontinued per PCN	Customer Drawing	Customer Part Number	Alias Part Number(s)	Substitute Part Number	Substitute Alias Part Number(s)	Description Of Difference
104362-2	NO						

Part Number	Part Discontinued per PCN	Customer Drawing	Customer Part Number	Alias Part Number(s)	Substitute Part Number	Substitute Alias Part Number(s)	Description Of Difference
147323-1	NO						
6-103904-1	NO						
6-103904-7	NO						

The documents listed below are being modified. Related parts that are not explicitly listed on this PCN are not being modified or discontinued as per the PCN. The Last Order Date, Last Ship Date, First Date to Ship Changed Parts and last date for Mixed Shipments apply only to parts explicitly listed on this PCN.

Customer Drawing(s) Being Modified:

Drawing Number	Related Part Number	Customer Part Number	Current Revision	New Revision
103904	6-103904-1		S	
104362	104362-2		W	
147323	147323-1		H	

Part Number(s) being Modified:

Part Number	Part Discontinued per PCN	Customer Drawing	Customer Part Number	Alias Part Number(s)	Substitute Part Number	Substitute Alias Part Number(s)	Description Of Difference
5-103635-1	NO						
5-103635-2	NO						
5-103635-3	NO						
5-103635-4	NO						
5-103635-5	NO						
5-103639-3	NO						
5-103669-1	NO						

Part Number	Part Discontinued per PCN	Customer Drawing	Customer Part Number	Alias Part Number(s)	Substitute Part Number	Substitute Alias Part Number(s)	Description Of Difference
5-103669-3	NO						
5-103669-5	NO						
5-103735-1	NO						
5-103908-3	NO						
5-104362-1	NO						

The documents listed below are being modified. Related parts that are not explicitly listed on this PCN are not being modified or discontinued as per the PCN. The Last Order Date, Last Ship Date, First Date to Ship Changed Parts and last date for Mixed Shipments apply only to parts explicitly listed on this PCN.

Customer Drawing(s) Being Modified:

Drawing Number	Related Part Number	Customer Part Number	Current Revision	New Revision
103635	5-103635-1		U	
103639	5-103639-3		AA	
103669	5-103669-1		AC	
103735	5-103735-1		W	
103908	5-103908-3		S	
104362	5-104362-1		W	
104363	5-104363-1		U	

Part Number(s) being Modified:

Part Number	Part Discontinued per PCN	Customer Drawing	Customer Part Number	Alias Part Number(s)	Substitute Part Number	Substitute Alias Part Number(s)	Description Of Difference
1-103634-5	NO						
1-103635-2	NO						
1-103638-3	NO						

Part Number	Part Discontinued per PCN	Customer Drawing	Customer Part Number	Alias Part Number(s)	Substitute Part Number	Substitute Alias Part Number(s)	Description Of Difference
1-103639-5	NO						
1-103670-5	NO						
1-103673-6	NO						
1-103673-9	NO						
103634-2	NO						
103634-8	NO						
103635-1	NO						
103635-3	NO			"AMP-0-0103635-3", "E18345-000"			
103638-1	NO						
103638-2	NO			"407085000"			
103638-3	NO						
103638-4	NO						
103638-5	NO			"407161199"			
103638-9	NO						
103639-2	NO						
103639-5	NO						
103639-6	NO						
103639-7	NO						
103669-2	NO						
103669-3	NO						
103670-1	NO						
103670-2	NO						
103670-3	NO			"4-40001-6591"			
103670-4	NO						
103670-6	NO						
103670-7	NO						
103670-9	NO						
103673-1	NO						
103673-5	NO						
103673-6	NO						
103673-7	NO						
103735-1	NO						

Part Number	Part Discontinued per PCN	Customer Drawing	Customer Part Number	Alias Part Number(s)	Substitute Part Number	Substitute Alias Part Number(s)	Description Of Difference
103735-9	NO						
103904-2	NO			"2-42938-5377"			
103908-1	NO			"406746073"			
103908-2	NO						
103908-3	NO			"406803577"			
103908-4	NO						
104361-2	NO			"406790659"			
104361-5	NO						
147278-3	NO						
2-103639-5	NO						
5-103634-2	NO						
5-103634-3	NO						
5-103634-4	NO						
5-103634-6	NO						
5-103634-7	NO						
5-103634-8	NO						
5-103634-9	NO						
5-103635-1	NO						
5-103635-2	NO						
5-103635-3	NO						
5-103635-4	NO						
5-103635-5	NO						
5-103635-7	NO						

Part Number	Part Discontinued per PCN	Customer Drawing	Customer Part Number	Alias Part Number(s)	Substitute Part Number	Substitute Alias Part Number(s)	Description Of Difference
<u>5-103635-9</u>	NO						
<u>5-103639-1</u>	NO						
<u>5-103639-2</u>	NO						
<u>5-103639-3</u>	NO						
<u>5-103639-4</u>	NO						
<u>5-103639-5</u>	NO						
<u>5-103639-6</u>	NO						
<u>5-103639-7</u>	NO						
<u>5-103639-9</u>	NO						
<u>5-103669-1</u>	NO						
<u>5-103669-2</u>	NO						
<u>5-103669-3</u>	NO						
<u>5-103669-4</u>	NO						
<u>5-103669-5</u>	NO						
<u>5-103669-6</u>	NO						
<u>5-103669-7</u>	NO						
<u>5-103669-8</u>	NO						
<u>5-103669-9</u>	NO						

Part Number	Part Discontinued per PCN	Customer Drawing	Customer Part Number	Alias Part Number(s)	Substitute Part Number	Substitute Alias Part Number(s)	Description Of Difference
5-103672-4	NO						
5-103672-5	NO						
5-103672-7	NO						
5-103673-1	NO						
5-103673-2	NO						
5-103673-3	NO						
5-103673-4	NO						
5-103673-7	NO			"CW5998-000", "PER-5-103673-7"			
5-103673-8	NO						
5-103673-9	NO						
5-103735-1	NO						
5-103735-2	NO						
5-103735-3	NO						
5-103735-4	NO						
5-103735-5	NO						
5-103735-6	NO						
5-103735-8	NO						
5-103735-9	NO						

Part Number	Part Discontinued per PCN	Customer Drawing	Customer Part Number	Alias Part Number(s)	Substitute Part Number	Substitute Alias Part Number(s)	Description Of Difference
5-103904-1	NO						
5-103904-2	NO						
5-103904-3	NO						
5-103904-4	NO						
5-103904-6	NO						
5-103908-1	NO						
5-103908-2	NO						
5-103908-3	NO						
5-103908-4	NO						
5-103908-5	NO						
5-103908-6	NO						
5-103908-7	NO						
5-103908-8	NO						
5-103908-9	NO						
5-104361-1	NO						
5-104361-2	NO						
5-104361-4	NO						
5-104361-5	NO						

Part Number	Part Discontinued per PCN	Customer Drawing	Customer Part Number	Alias Part Number(s)	Substitute Part Number	Substitute Alias Part Number(s)	Description Of Difference
5-104361-6	NO						
5-104361-7	NO						
5-104361-8	NO						
5-104362-1	NO						
5-104362-2	NO						
5-104362-3	NO						
5-104362-4	NO						
5-104362-5	NO						
5-104362-6	NO						
5-104362-7	NO						
5-104362-8	NO						
5-104362-9	NO						
5-104450-1	NO						
5-104450-2	NO						
5-104450-3	NO						
5-104450-5	NO						
5-104809-1	NO						
5-104809-2	NO						

Part Number	Part Discontinued per PCN	Customer Drawing	Customer Part Number	Alias Part Number(s)	Substitute Part Number	Substitute Alias Part Number(s)	Description Of Difference
5-104809-3	NO						
5-104809-4	NO						
5-104809-7	NO						
5-104935-1	NO						
5-104935-2	NO						
5-104935-3	NO						
5-104935-5	NO						
5-104935-6	NO			"2-42938-4341"			
5-104935-7	NO						
5-104935-8	NO						
5-104935-9	NO						
5-1375583-1	NO						
5-147278-2	NO						
5-147278-3	NO						
5-147278-4	NO						
5-147278-5	NO						
5-147278-7	NO						
5-147323-3	NO						

Part Number	Part Discontinued per PCN	Customer Drawing	Customer Part Number	Alias Part Number(s)	Substitute Part Number	Substitute Alias Part Number(s)	Description Of Difference
<u>5-147324-1</u>	NO						
<u>6-103634-1</u>	NO						
<u>6-103634-3</u>	NO						
<u>6-103634-5</u>	NO						
<u>6-103635-0</u>	NO						
<u>6-103635-1</u>	NO						
<u>6-103635-3</u>	NO						
<u>6-103635-5</u>	NO						
<u>6-103635-7</u>	NO						
<u>6-103639-1</u>	NO						
<u>6-103639-3</u>	NO						
<u>6-103639-9</u>	NO						
<u>6-103669-1</u>	NO						
<u>6-103673-6</u>	NO						
<u>6-103673-9</u>	NO						
<u>6-103735-1</u>	NO						
<u>6-103735-3</u>	NO						
<u>6-103735-9</u>	NO						

Part Number	Part Discontinued per PCN	Customer Drawing	Customer Part Number	Alias Part Number(s)	Substitute Part Number	Substitute Alias Part Number(s)	Description Of Difference
6-103908-1	NO						
6-103908-3	NO						
6-103908-5	NO						
6-104910-2	NO						
6-104910-3	NO						
6-104910-4	NO						
6-104910-5	NO						
6-104935-0	NO						
6-104935-1	NO						
6-104935-3	NO						
6-147323-1	NO						
6-147323-4	NO						

The documents listed below are being modified. Related parts that are not explicitly listed on this PCN are not being modified or discontinued as per the PCN. The Last Order Date, Last Ship Date, First Date to Ship Changed Parts and last date for Mixed Shipments apply only to parts explicitly listed on this PCN.

Customer Drawing(s) Being Modified:

Drawing Number	Related Part Number	Customer Part Number	Current Revision	New Revision
103634	1-103634-5		W	
103635	1-103635-2		U	
103638	1-103638-3		T	
103639	1-103639-5		AA	
103669	103669-2		AC	
103670	1-103670-5		U	

Drawing Number	Related Part Number	Customer Part Number	Current Revision	New Revision
103672	5-103672-4		AE	
103673	1-103673-6		V	
103735	103735-1		W	
103904	103904-2		S	
103906	1-103906-1		P	
103908	103908-1		S	
104361	104361-2		S	
104362	5-104362-1		W	
104363	5-104363-1		U	
104450	5-104450-1		AF	
104809	5-104809-1		N	
104910	6-104910-2		J	
104935	5-104935-1		H	
1375583	5-1375583-1		F	
147278	147278-3		M1	
147323	5-147323-3		H	
147324	5-147324-1		L	

Part Number(s) being Modified:

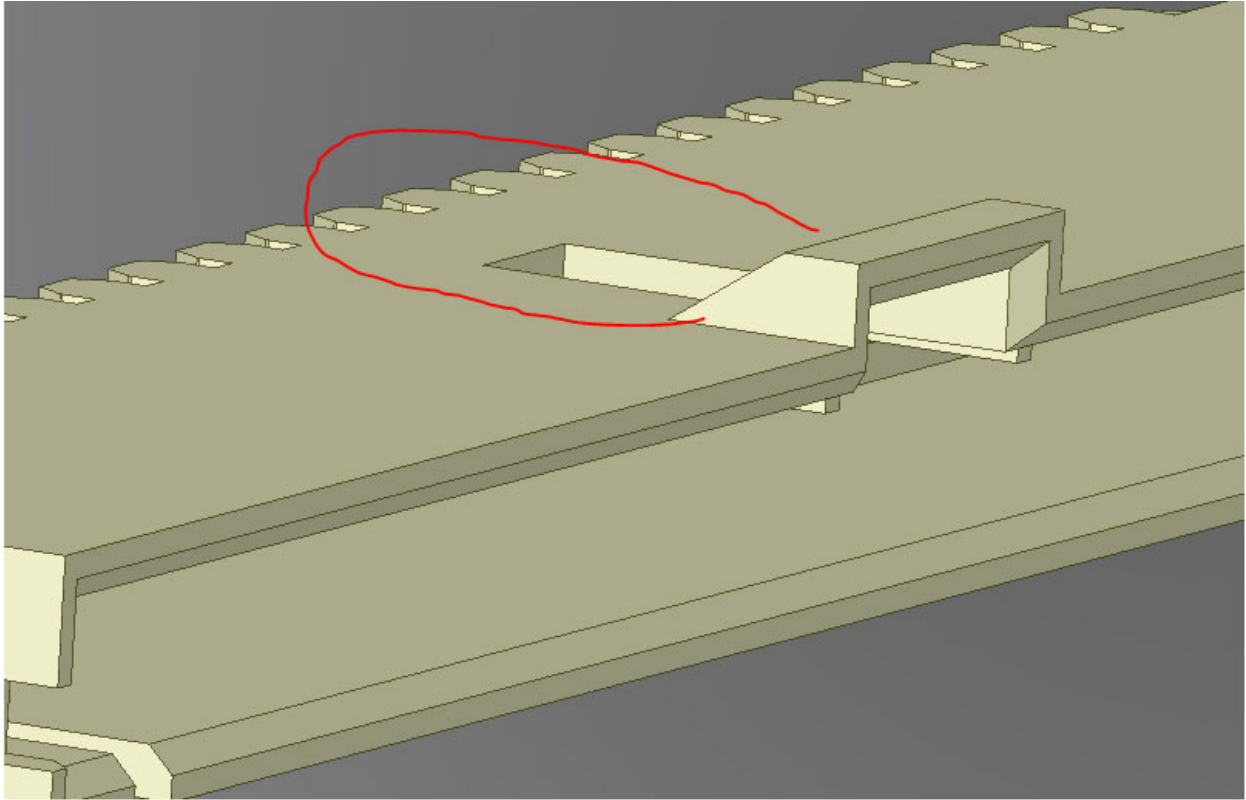
Part Number	Part Discontinued per PCN	Customer Drawing	Customer Part Number	Alias Part Number(s)	Substitute Part Number	Substitute Alias Part Number(s)	Description Of Difference
5-104361-3	NO						
5-104361-5	NO						
5-104361-9	NO						
5-104362-4	NO						
5-104362-5	NO						
5-104450-2	NO						
5-104450-4	NO						

Part Number	Part Discontinued per PCN	Customer Drawing	Customer Part Number	Alias Part Number(s)	Substitute Part Number	Substitute Alias Part Number(s)	Description Of Difference
5-104809-1	NO						
5-104809-2	NO						
5-104809-7	NO						
5-1375549-3	NO						
5-1375582-3	NO						
5-1375582-5	NO						
5-1375582-7	NO						
5-147278-9	NO						
5-147323-4	NO						
5-147324-1	NO						
5-147324-2	NO						

OPTIONAL MTE SHROUDED HEADER HOUSING

(Optional at Molder's Discretion)

ORIGINAL HOUSING - ACCEPTABLE



OPTIONAL HOUSING - ACCEPTABLE

