



**Mallory Sonalert Products, Inc.**

Part #: **SBT12MMTPC**

**Sales Outline Drawing**

Revision: **J**

**Specifications:**

**cUL Recognized to IEC60601-1-8 3rd Edition Amendment 1**

**Temp/Energy Delivery Melody**

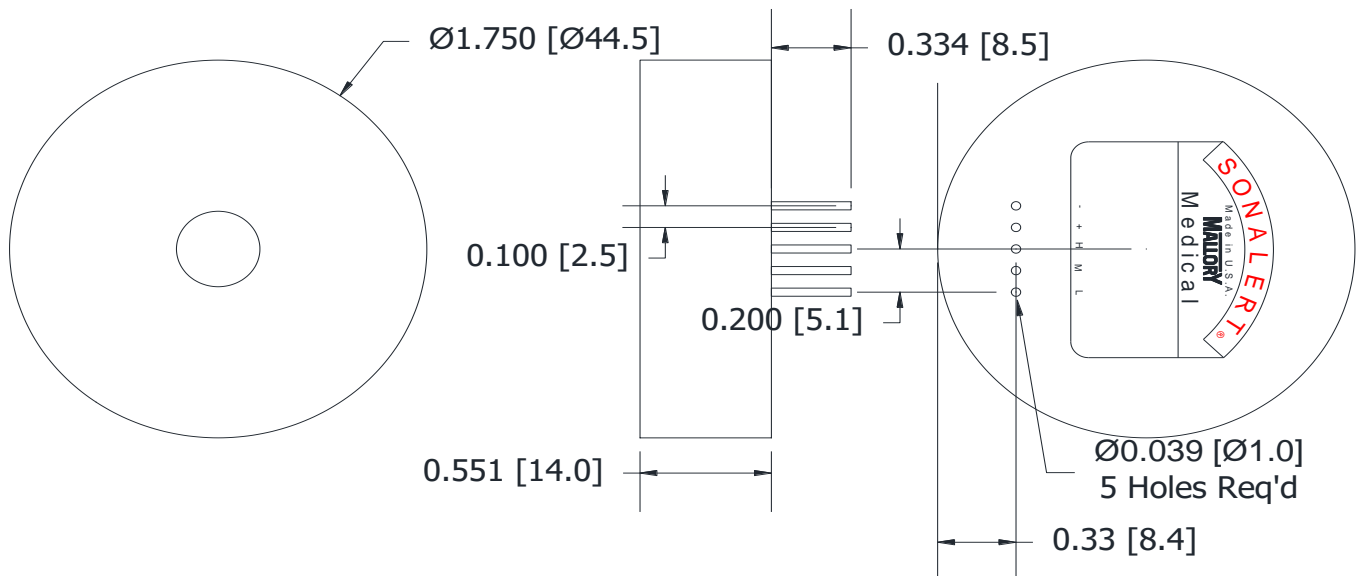
Sound Level Category:	Silence	Loud	Loud	Loud
Mode of Operation:	Silence - NO SOUND	Low Priority Alarm - 2 beeps repeating every 20 sec	Medium Priority Alarm: 3 beeps repeating every 7.5 sec	High Priority Alarm - 10 beeps repeating every 2.5 sec
Loudness @ 10cm:	Silence	85 to 95 dB(A) Typ.	85 to 95 dB(A) Typ.	85 to 95 dB(A) Typ.
Frequency:	Silence	150 to 4000 Hz	150 to 4000 Hz	150 to 4000 Hz
Connection:	Connect "+" to "+" & "-" to "-" of Power Supply	Connect "+" to "+" & "-" & L to "-" of Power Supply	Connect "+" to "+" & "-" & M to "-" of Power Supply	Connect "+" to "+" & "-" & H to "-" of Power Supply
Voltage Rating:	9 to 12 VDC			
Average Current Draw:	<15mA Typ.	<15mA Typ.	<15mA Typ.	<20mA Typ.
Ipk Current*:	75mA			
Housing Material:	ABS 777D Plastic Resin, Black			
Storage Temperature:	-40° to +85° C			
Operating Temperature:	-30° to +65° C			
Weight Typical:	0.6 oz (17g)			
Options:	Please contact factory.			
Condition by wave solder (°C)	260 ± 5 within 5 sec			
Condition by hand solder (°C)	350 ± 20 within 5 sec			

**Dimensions:** Inches [mm]

**cUL Recognized**

**ROHS Compliant**

PATENT NUMBER: 7880593



\*Ipk = Instantaneous Peak

tolerances:  $\pm 0.01$  [ $\pm 0.3$ ]  
 $\pm 0.005$  [ $\pm 0.1$ ]