

# Data sheet

RP025xxIBWC Type 007

Page 1/6

P/N  
310071xx

xx=number of poles

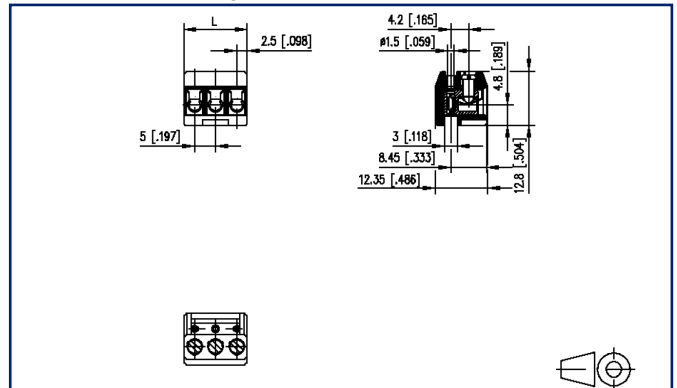
2022/12/20

Version: U

## Illustrations



Dimensional drawing



See enlarged drawings at the end of document

## Product specification

- screw type terminal block, pluggable
- centerline 5.00 mm, direction of connection 90°
- wire protector, fittable without loss of poles
- color black
- wire entry perpendicular to plug direction, lamella




**Technical Data**

General Data			
Tightening torque SEV	0.5 Nm		
Tightening torque UL	4.4 lb-in		
min. number of poles	2		
max. number of poles	24		
Insulating material class	CTI 600		
clearance/creepage dist.	2.3 mm		
Protection category	IP20		
Min. insul. strip length	6 mm		
Rated current	10 A		
Overvoltage category	III	III	II
Pollution degree	3	2	2
Rated voltage	100 V	320 V	320 V
Rated test voltage	2.5 kV	2.5 kV	2.5 kV

Terminal data	
rat.wiring solid AWGmax	0.33 mm <sup>2</sup> - 2.5 mm <sup>2</sup> / AWG 22 - AWG 12
rat.wiring strand.AWGmax	0.33 mm <sup>2</sup> - 2.5 mm <sup>2</sup> / AWG 22 - AWG 12

Approvals	
extended wiring UL	Wire range extended to No. 30 AWG for factory-wiring. Two same size wires No. 22-16 AWG Cu, Sol/Str for field-wiring; No. 30-16 AWG Cu Sol/Str factory-wiring.

 V / A / AWG	300 / 15 / 22 - 12
approval UL - File No.	E121004
2.5 mm <sup>2</sup>	250 V / 2.5 kV / 10 A

Material	
insulating material	PA66
flammability class	V0
contact material	CuBe
Contact surface	Ni + Ag
terminal body thread	M3
terminal body material	CuZnPb
terminal body surface	Cu + Ni
screw thread	M3
screw material	8,8
screw surface	Zn Cr(VI)-frei/free

## Technical Data

wire protector material	CuSn
wire protector surface	Sn
Glow-Wire Flammability GWFI	850 °C acc. to IEC 60695-2-12
Glow-Wire Flammability GWIT	775 °C acc. to IEC 60695-2-13
REACH	compliant
REACH - substance (SVHC)	Lead / 7439-92-1

## Climatic Data

upper limit temperature	105 °C
lower limit temperature	-40 °C

## general

Tolerance	ISO 2768 -mH
-----------	--------------

# U | Contact

Data sheet  
RP025xxIBWC Type 007

Page 4/6

P/N  
310071xx

xx=number of poles

2022/12/20

Version: U

## Accessories

P/N	Designation
710084	Mounting flange right for type 07, 08
710085	Mounting flange left for type 07, 08
710121-2	Coding pin short for type 007
710122-2	Coding pin long for type 007
716846	Coding comb pastel blue

# U | Contact

Data sheet  
RP025xxIBWC Type 007

Page 5/6

P/N  
310071xx

xx=number of poles

2022/12/20

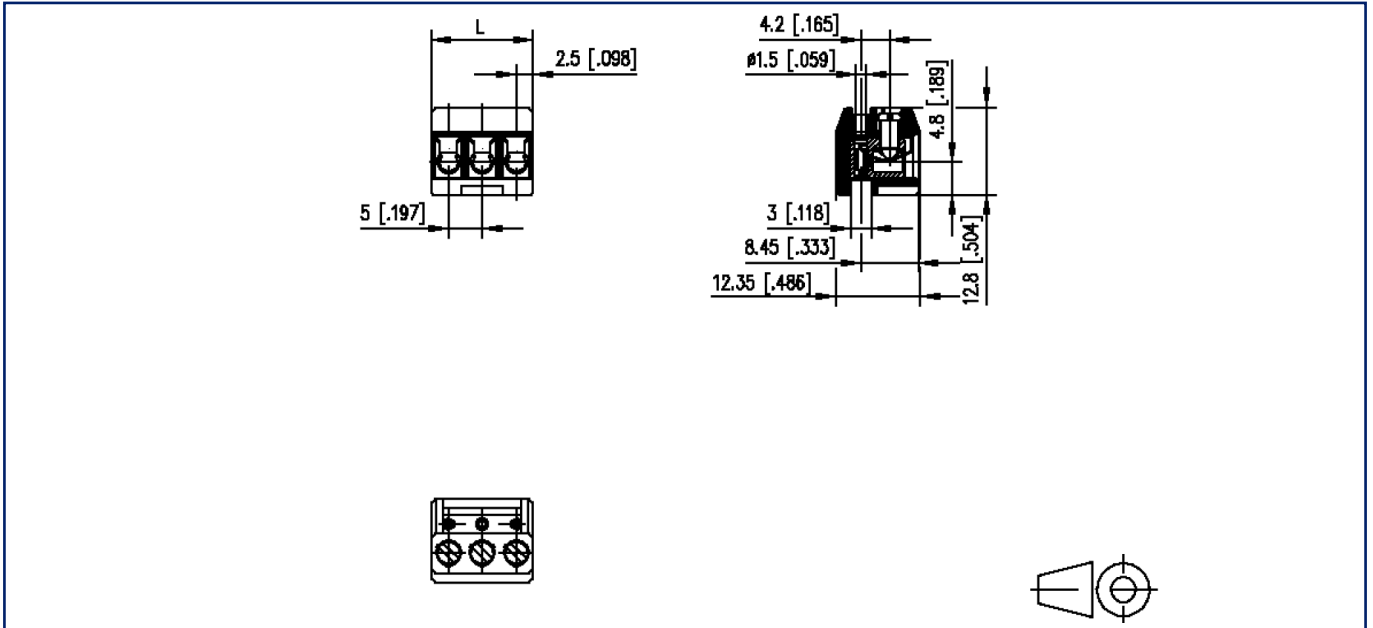
Version: U

## Counterpart

P/N	Designation
310171	PR015xxVBHC Type 017
310271	PR015xxVBVC Type 027
310391	PT055xxHBHC Type 039
310411	PT065xxVBEN Type 041
310421	PT065xxVBVN Type 042
314171	PM035xxVBHC Type 417

## Illustrations

Dimensional drawing



$L = (\text{pole size} - 1) \times \text{centerline} + 5 \text{ mm } [0.197]$