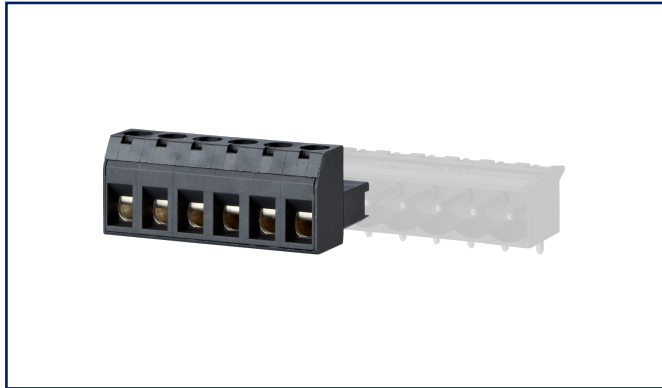


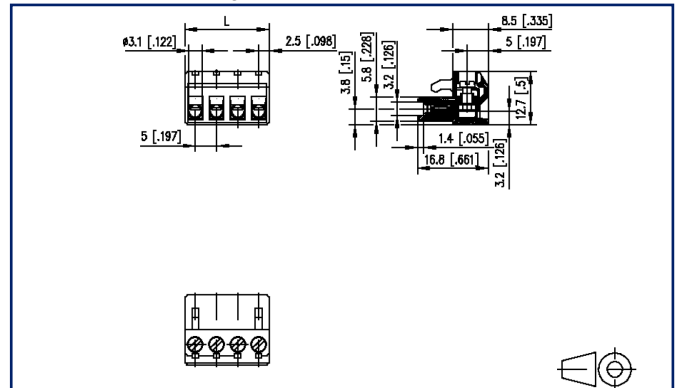
# Data sheet

## RP015xxWBLC Type 049

### Illustrations



Dimensional drawing



See enlarged drawings at the end of document

### Product specification


- screw type terminal block, pluggable
- centerline 5.00 mm, direction of connection vertical 0°
- lift system, fittable without loss of poles
- color black
- wire entry uncodeable side parallel to plug direction, lamella



**Technical Data**

General Data			
Tightening torque SEV	0.5 Nm		
Tightening torque UL	4.4 lb-in		
min. number of poles	2		
max. number of poles	24		
Insulating material class	CTI 600		
clearance/creepage dist.	4.7 mm		
Protection category	IP20		
Min. insul. strip length	6 mm		
Rated current	10 A		
Overvoltage category	III	III	II
Pollution degree	3	2	2
Rated voltage	160 V	400 V	400 V
Rated test voltage	2.5 kV	2.5 kV	2.5 kV

Terminal data	
rat.wiring solid AWGmax	0.33 mm <sup>2</sup> - 2.5 mm <sup>2</sup> / AWG 22 - AWG 12
rat.wiring strand.AWGmax	0.33 mm <sup>2</sup> - 2.5 mm <sup>2</sup> / AWG 22 - AWG 12

Approvals	
 V / A / AWG	300 / 15 / 22 - 12
approval UL - File No.	E121004
2.5 mm <sup>2</sup>	320 V / 1 kV / 13.5 A

Material	
insulating material	PA66
flammability class	V0
contact material	CuBe
Contact surface	Ni + Ag
terminal body thread	M3
terminal body material	CuZnPb
terminal body surface	Ni
screw thread	M3
screw material	8,8
screw surface	Zn Cr(VI)-frei/free
wire protector material	CuNiZn
Glow-Wire Flammability GWFI	960 °C acc. to IEC 60695-2-12

# U | Contact

## Data sheet RP015xxWBLC Type 049

Page 3/6

P/N  
310491xx

xx=number of poles

2022/12/20

Version: R

### Technical Data

Glow-Wire Flammability GWIT	775 °C acc. to IEC 60695-2-13
REACH	compliant
REACH - substance (SVHC)	Lead / 7439-92-1

### Climatic Data

upper limit temperature	105 °C
lower limit temperature	-40 °C

### general

Tolerance	ISO 2768 -mH
-----------	--------------

# U | Contact

Data sheet  
RP015xxWBLC Type 049

Page 4/6

P/N  
310491xx

xx=number of poles

2022/12/20

Version: R

## Accessories

P/N	Designation
716906	Coding comb orange



# U | Contact

Data sheet  
RP015xxWBLC Type 049

Page 5/6

P/N  
310491xx

xx=number of poles

2022/12/20

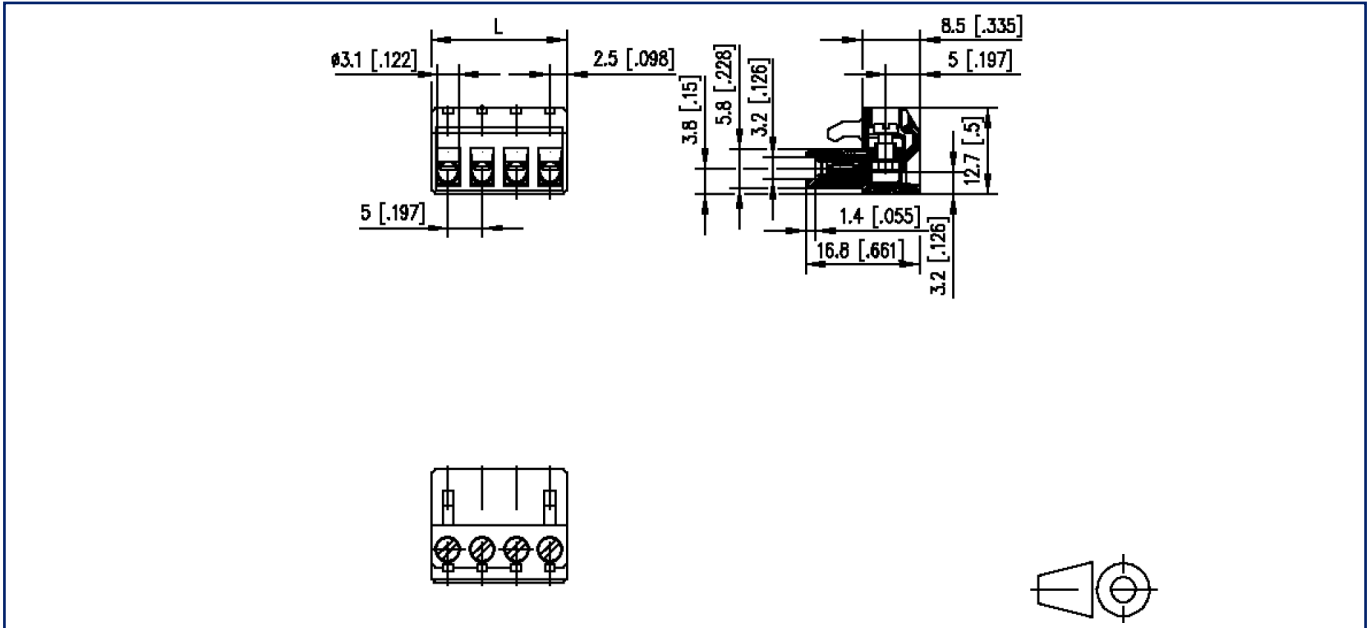
Version: R

## Counterpart

P/N	Designation
310191	PT045xxVBEC Type 019
310201	PT045xxVBBN Type 020
310291	PT045xxHBEC Type 029
310301	PT045xxHBBN Type 030
310311	PT045xxHBVC Typ 031
310321	PT045xxHBVN Typ 032
310341	PT045xxHBON Typ 034

## Illustrations

Dimensional drawing



$L = (\text{pole size} - 1) \times \text{centerline} + 5 \text{ mm} [0.197]$