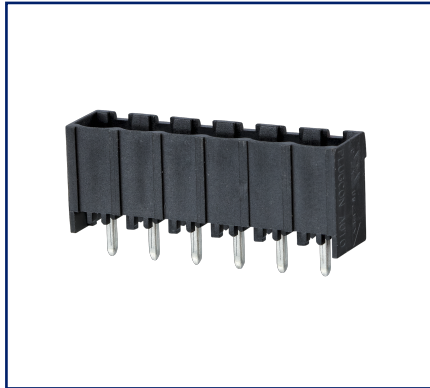


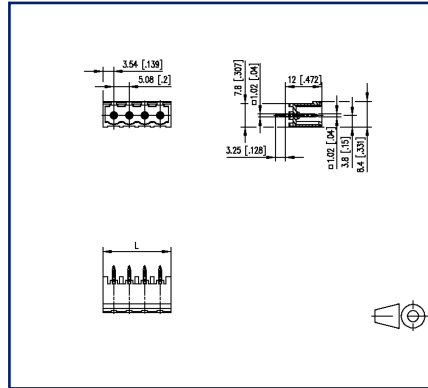
Data sheet

PR066xxVBBN Type 179

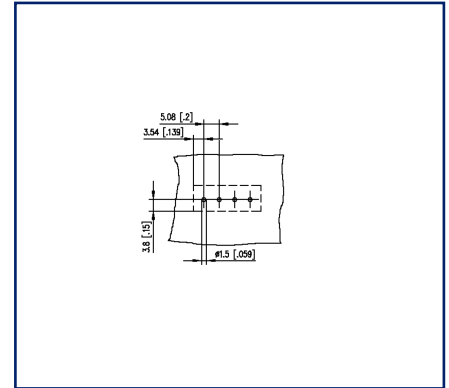
Illustrations



Dimensional drawing



Drill pattern




See enlarged drawings at the end of document

Product specification

- pin header, THR solderable
- centerline 5.08 mm, direction of connection vertical 0°
- closed ends
- color black
- Tape & Reel packaging possible
- codeable



Technical Data

General Data			
Solder pin length	3.25 mm		
min. number of poles	2		
max. number of poles	12		
Insulating material class	CTI 600		
clearance/creepage dist.	4.08 mm		
Protection category	IP00		
Rated current	13.5 A		
Overvoltage category	III	III	II
Pollution degree	3	2	2
Rated voltage	320 V	800 V	800 V
Rated test voltage	4 kV	4 kV	4 kV
Approvals			
 V / A	300 / 15		
approval UL - File No.	E121004		
1.5 mm ²	320 V / 4 kV / 13.5 A / 1.0 x 1.0 mm		
Material			
insulating material	PA66/6T		
flammability class	V0		
contact pin material	CuMg		
contact pin surface	Cu + Sn		
Glow-Wire Flammability GWFI	960 °C acc. to IEC 60695-2-12		
Glow-Wire Flammability GWIT	775 °C acc. to IEC 60695-2-13		
REACH	compliant		
Climatic Data			
upper limit temperature	105 °C		
lower limit temperature	-40 °C		
general			
Tolerance	ISO 2768 -mH		
Solderability	reflowable		

U | Contact

Data sheet
PR066xxVBBN Type 179

Page 3/6

P/N
311791xx

xx=number of poles

2023/02/15

Version: Y

Accessories

P/N	Designation
700024-01-9	Coding star white

© 2023 METZ CONNECT - Technische Änderungen vorbehalten! Subject to modifications! Sous réserve de modifications techniques!



U | Contact

Data sheet
PR066xxVBBN Type 179

Page 4/6

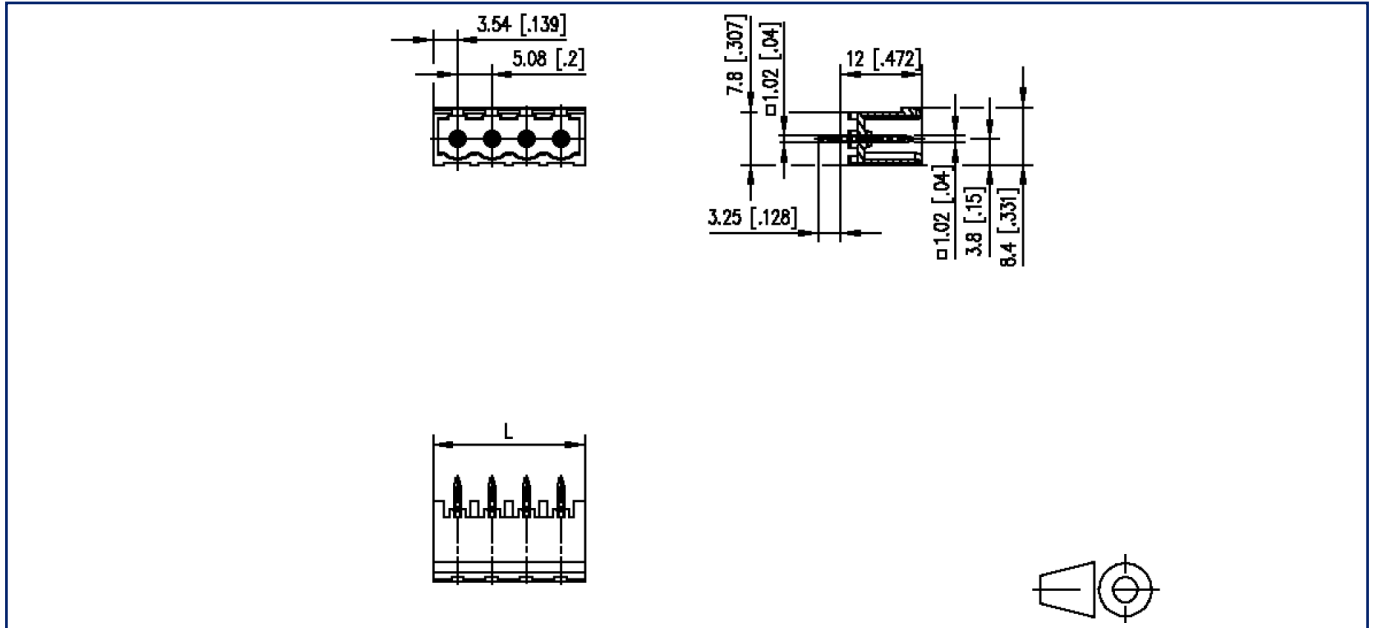
P/N
311791xx
xx=number of poles
2023/02/15
Version: Y

Counterpart of

P/N	Designation
312131	RP036xxHBLC Type 213
312141	RP036xxHBLD Type 214
312491	RP016xxVBLC Type 249
312501	RP016xxSBLC Typ 250
ASP046	SP046xxVBNC ASP046
SP06602VBNC	
SP066XXVBNC	SP066xxVBNC

Illustrations

Dimensional drawing



$L = (\text{pole size} - 1) \times \text{centerline} + 7.08 \text{ mm} [0.279]$

Illustrations

Drill pattern

