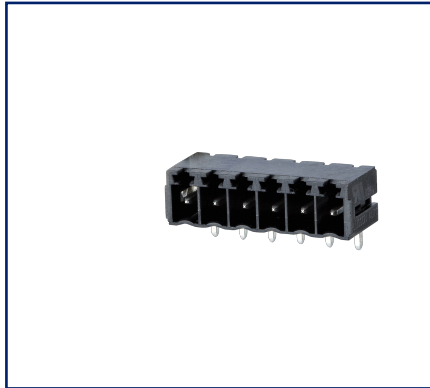
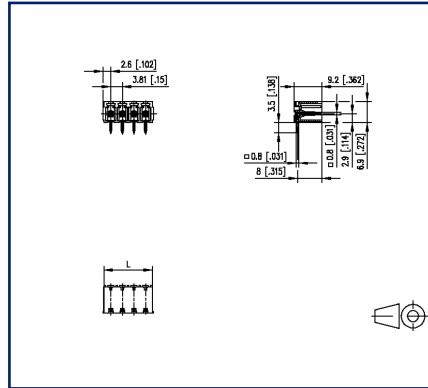


**Data sheet**  
**PR044xxHBBN Type 190**

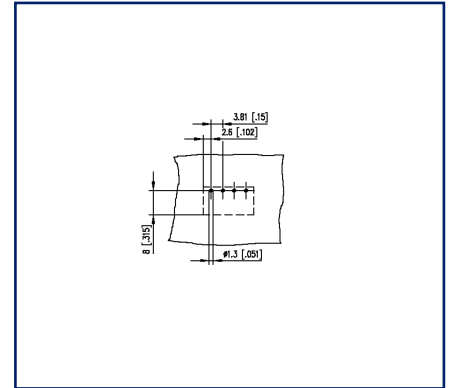
**Illustrations**



Dimensional drawing



Drill pattern



See enlarged drawings at the end of document

**Product specification**

- pin header, THR solderable
- centerline 3.81 mm, direction of connection 90°
- closed ends
- color black
- Tape & Reel packaging possible
- codeable




## Technical Data

### General Data

|                           |         |       |       |
|---------------------------|---------|-------|-------|
| Solder pin length         | 3.5 mm  |       |       |
| min. number of poles      | 2       |       |       |
| max. number of poles      | 12      |       |       |
| Insulating material class | CTI 600 |       |       |
| clearance/creepage dist.  | 3.01 mm |       |       |
| Protection category       | IP00    |       |       |
| Rated current             | 10 A    |       |       |
| Overvoltage category      | III     | III   | II    |
| Pollution degree          | 3       | 2     | 2     |
| Rated voltage             | 200 V   | 500 V | 500 V |
| Rated test voltage        | 4 kV    | 4 kV  | 4 kV  |

### Approvals

|   |                                      |
|---|--------------------------------------|
|  V / A | 300 / 8                              |
| approval UL - File No.  | E121004                              |
| 1.5 mm <sup>2</sup>   | 130 V / 2.5 kV / 10 A / 0.8 x 0.8 mm |

### Material

|                             |                               |
|-----------------------------|-------------------------------|
| insulating material         | PA66/6T                       |
| flammability class          | V0                            |
| contact pin material        | CuMg                          |
| contact pin surface         | Ni + Sn                       |
| Glow-Wire Flammability GWFI | 960 °C acc. to IEC 60695-2-12 |
| Glow-Wire Flammability GWIT | 775 °C acc. to IEC 60695-2-13 |
| REACH                       | compliant                     |

### Climatic Data

|                         |        |
|-------------------------|--------|
| upper limit temperature | 105 °C |
| lower limit temperature | -40 °C |

### general

|               |              |
|---------------|--------------|
| Tolerance     | ISO 2768 -mH |
| Solderability | reflowable   |

# U | Contact

Data sheet  
**PR044xxHBBN Type 190**

Page 3/6

P/N  
**311901xx**

**xx=number of poles**

2023/02/15

Version: W

## Accessories

| P/N            | Designation                                    |
|----------------|--|
| 700333-01-1216 | LED-light transmitter for headers, pluggable   |
| 700333-02-1216 | LED-light transmitter for headers, pluggable   |
| 700333-03-1216 | LED-light transmitter for headers, pluggable   |
| 720293-01-2    | Coding Star for pin header, centerline 3.81 mm |

# U | Contact

Data sheet  
**PR044xxHBBN Type 190**

Page 4/6

P/N  
**311901xx**

**xx=number of poles**

2023/02/15

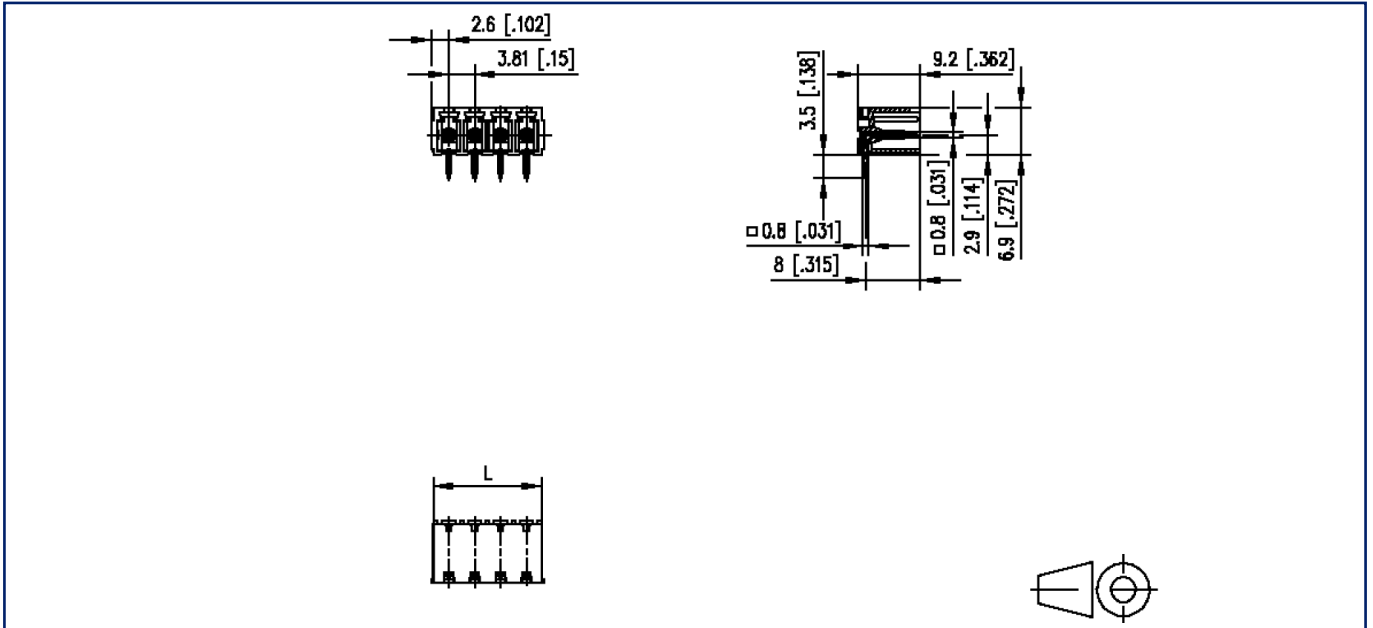
Version: W

## Counterpart of

| P/N    | Designation          |
|--------|----------------------|
| 311131 | RP034xxHBLO Type 113 |
| 311141 | RP034xxHBLN Type 114 |
| 313691 | RP034xxVBLN Type 369 |
| ASP044 | SP044xxVBNN ASP044   |
| ASP064 | SP064xxVGNN ASP064   |

## Illustrations

Dimensional drawing



$L = (\text{pole size} - 1) \times \text{centerline} + 5.2 \text{ mm} [0.205]$

## Illustrations

### Drill pattern

