

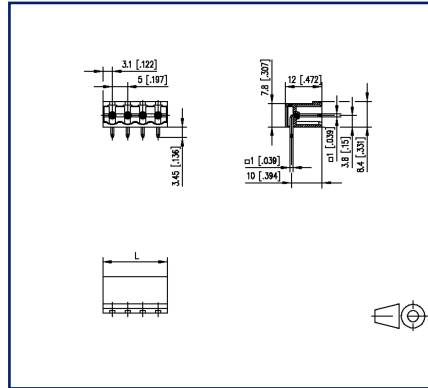
# Data sheet

## PT115xxHBBN Type 330

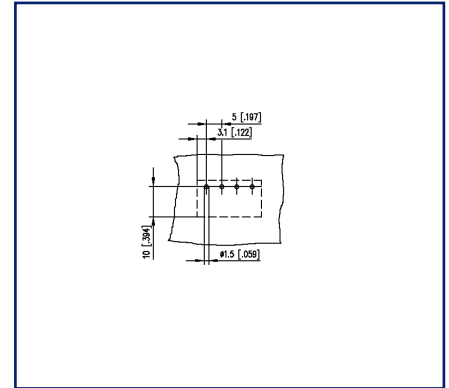
### Illustrations



Dimensional drawing



Drill pattern



See enlarged drawings at the end of document

### Product specification

- pin header, solderable
- centerline 5.00 mm, direction of connection 90°
- closed ends
- color black
- codeable




**Data sheet**  
**PT115xxHBBN Type 330**

**Technical Data**

**General Data**

Solder pin length	3.45 mm		
min. number of poles	2		
max. number of poles	24		
Insulating material class	CTI 600		
clearance/creepage dist.	4 mm		
Protection category	IP00		
Rated current	10 A		
Overvoltage category	III	III	II
Pollution degree	3	2	2
Rated voltage	320 V	800 V	800 V
Rated test voltage	4 kV	4 kV	4 kV

**Approvals**

 V / A	300 / 16
approval UL - File No.	E121004
1.5 mm <sup>2</sup>	320 V / 4 kV / 13.5 A / 1.0 x 1.0 mm

**Material**

insulating material	PA66
flammability class	V0
contact pin material	CuFe
contact pin surface	Ni + Ag
Glow-Wire Flammability GWFI	960 °C acc. to IEC 60695-2-12
Glow-Wire Flammability GWIT	775 °C acc. to IEC 60695-2-13
REACH	compliant

**Climatic Data**

upper limit temperature	105 °C
lower limit temperature	-40 °C

**general**

Tolerance	ISO 2768 -mH
Solderability	Acc. to JEDEC JESD22-B102E 245°C/5s

© 2022 METZ CONNECT - Technische Änderungen vorbehalten! Subject to modifications! Sous réserve de modifications techniques!

# U | Contact

Data sheet

**PT115xxHBBN Type 330**

Page 3/6

P/N

**313301xx**

**xx=number of poles**

2022/12/20

Version: V

## Accessories

P/N	Designation
700024-01-9	Coding star white
700523-0157	Geh_Kappe_swg_Block



# U | Contact

Data sheet

**PT115xxHBBN Type 330**

Page 4/6

P/N

**313301xx****xx=number of poles**

2022/12/20

Version: V

## Counterpart of

P/N	Designation
313131	RP035xxHBLC Type 313
313141	RP035xxHBLD Type 314
31314103-08	RP035xxHBLD Typ 314
31314103-09	RP035xxHBLD Typ 314
313491	RP015xxVBLC Type 349
313501	RP015xxSBLC Type 350
ASP045	SP045xxVBNC ASP045
SP065XXVBNC	SP065xxVBNC
SP065XXVBPC	SP065xxVBPC
SP995XXVBNC	SP995xxVBNC

# U | Contact

Data sheet

**PT115xxHBBN Type 330**

Page 5/6

P/N

**313301xx**

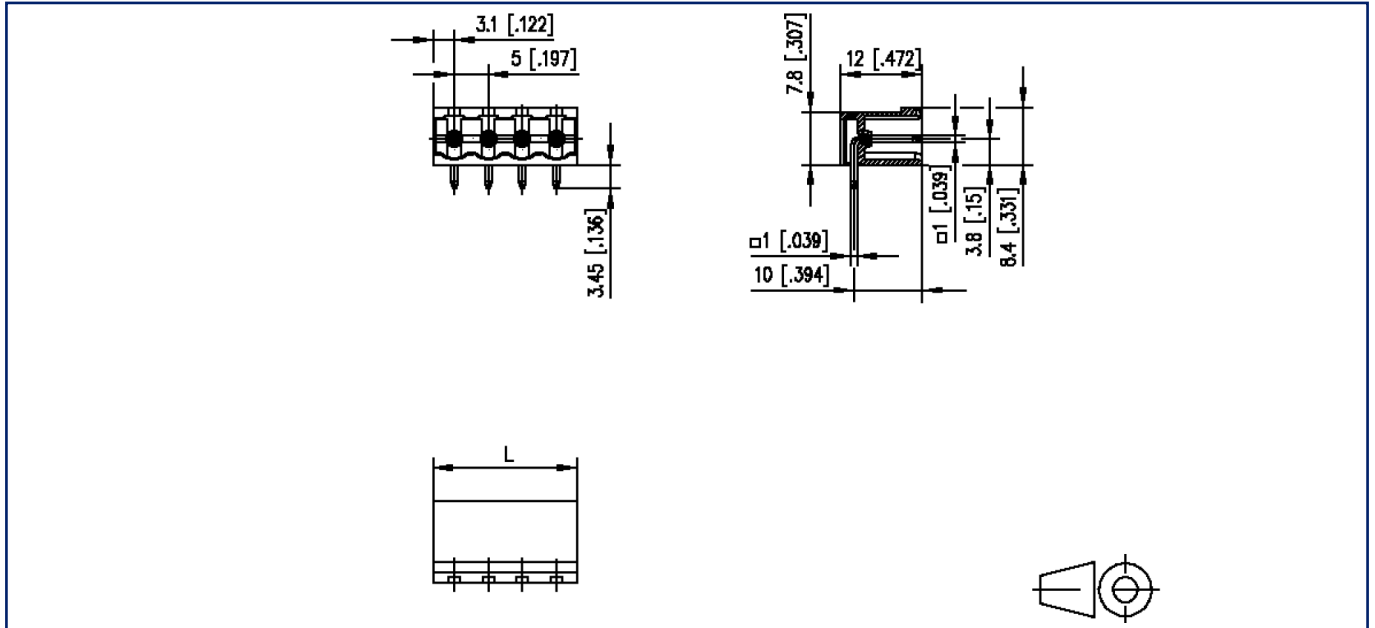
**xx=number of poles**

2022/12/20

Version: V

## Illustrations

Dimensional drawing



$L = (\text{pole size} - 1) \times \text{centerline} + 6.2 \text{ mm} [0.244]$



## Illustrations

### Drill pattern

