

Data sheet

RP015xxVBLC Type 349

Page 1/6

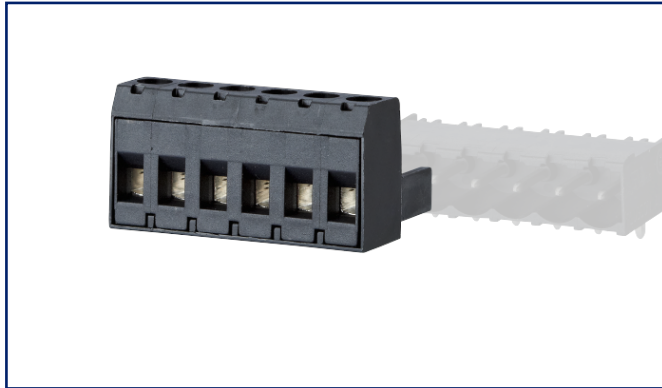
P/N
313491xx

xx=number of poles

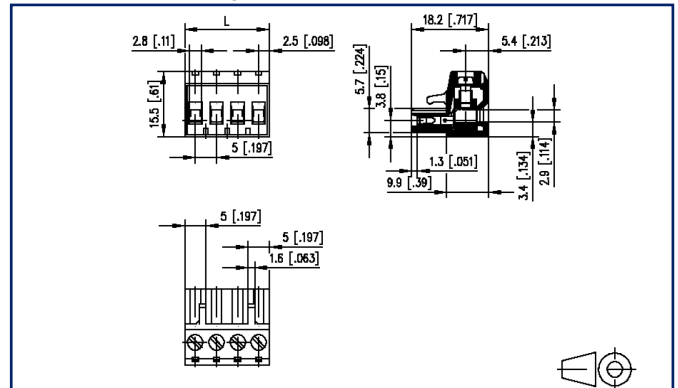
2022/12/20

Version: T

Illustrations



Dimensional drawing



See enlarged drawings at the end of document

Product specification


- screw type terminal block, pluggable
- centerline 5.00 mm, direction of connection vertical 0°
- lift system, fittable without loss of poles
- color black
- wire entry codeable side perpendicular to plug direction



Technical Data

| General Data | | | |
|---------------------------|-----------|--------|--------|
| Tightening torque SEV | 0.5 Nm | | |
| Tightening torque UL | 4.4 lb-in | | |
| min. number of poles | 2 | | |
| max. number of poles | 24 | | |
| Insulating material class | CTI 600 | | |
| clearance/creepage dist. | 3.6 mm | | |
| Protection category | IP20 | | |
| Min. insul. strip length | 8 mm | | |
| Rated current | 12 A | | |
| Overvoltage category | III | III | II |
| Pollution degree | 3 | 2 | 2 |
| Rated voltage | 160 V | 400 V | 400 V |
| Rated test voltage | 2.5 kV | 2.5 kV | 2.5 kV |

| Terminal data | |
|--------------------------|--|
| rat.wiring solid AWGmax | 0.08 mm ² - 2.5 mm ² / AWG 28 - AWG 12 |
| rat.wiring strand.AWGmax | 0.08 mm ² - 2.5 mm ² / AWG 28 - AWG 12 |

| Approvals | |
|---|--|
| extended wiring UL | 2 AWG 16-18, or 1 AWG 16 stranded with 1 AWG 18 solid, or 1 AWG 16 stranded with 1 AWG 18 stranded |
|  V / A / AWG | 300 / 16 / 28 - 12 |
| approval UL - File No. | E121004 |
| 2.5 mm ² | 320 V / 1 kV / 13.5 A |

| Material | |
|-----------------------------|-------------------------------|
| insulating material | PA66 |
| flammability class | V0 |
| contact material | CuSn |
| Contact surface | Sn |
| terminal body thread | M3 |
| terminal body material | CuZnPb |
| terminal body surface | Ni |
| screw thread | M3 |
| screw material | 8,8 |
| screw surface | Zn Cr(VI)-frei/free |
| Glow-Wire Flammability GWFI | 960 °C acc. to IEC 60695-2-12 |

U | Contact

Data sheet RP015xxVBLC Type 349

Page 3/6

P/N
313491xx

xx=number of poles

2022/12/20

Version: T

Technical Data

| | |
|-----------------------------|-------------------------------|
| Glow-Wire Flammability GWIT | 775 °C acc. to IEC 60695-2-13 |
| REACH | compliant |
| REACH - substance (SVHC) | Lead / 7439-92-1 |

Climatic Data

| | |
|-------------------------|--------|
| upper limit temperature | 105 °C |
| lower limit temperature | -40 °C |

general

| | |
|-----------|--------------|
| Tolerance | ISO 2768 -mH |
|-----------|--------------|

U | Contact

Data sheet
RP015xxVBLC Type 349

Page 4/6

P/N
313491xx

xx=number of poles

2022/12/20

Version: T

Accessories

| P/N | Designation |
|-------------|---|
| 700025-01-9 | Coding star white with a group of 6 coding pins |

© 2022 METZ CONNECT - Technische Änderungen vorbehalten! Subject to modifications! Sous réserve de modifications techniques!



Data sheet
RP015xxVBLC Type 349

Page 5/6

P/N
313491xx**xx=number of poles**

2022/12/20

Version: T

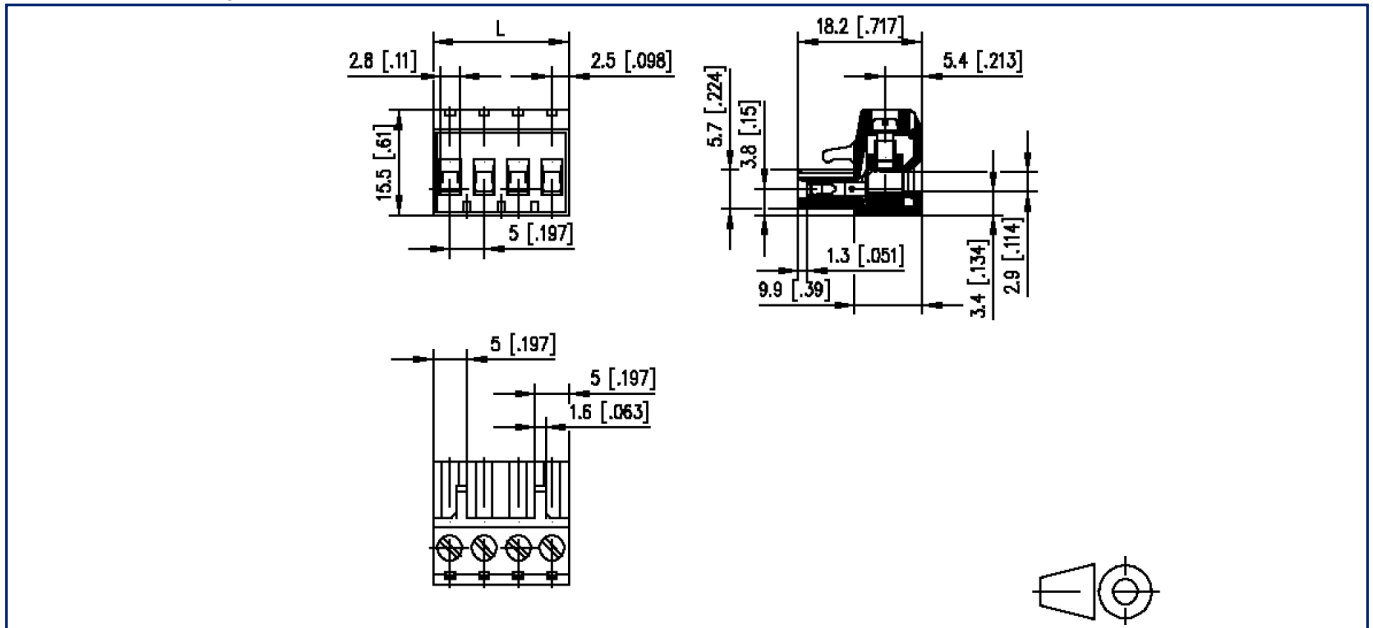
Counterpart

| P/N | Designation |
|------------|----------------------|
| 311761 | PR065xxHBBN Type 176 |
| 311771 | PR065xxVBBN Type 177 |
| 312701 | PT175xxVGDN Type 270 |
| 312741 | PT165xxVGDN Type 274 |
| 312761 | PT165xxHGDN Type 276 |
| 312781 | PT105xxVGDN Type 278 |
| 312801 | PT105xxHGDN Type 280 |
| 313191 | PT115xxVBEC Typ 319 |
| 313201 | PT115xxVBBN Type 320 |
| 313291 | PT115xxHBEC Type 329 |
| 313301 | PT115xxHBBN Type 330 |
| 313371 | PR075xxHBEL Type 337 |
| 313381 | PR075xxHBER Type 338 |
| 314761 | PR065xxHBEC Type 476 |
| 314771 | PR065xxVBEC Type 477 |



Illustrations

Dimensional drawing



$L = (\text{pole size} - 1) \times \text{centerline} + 5 \text{ mm } [0.197]$