

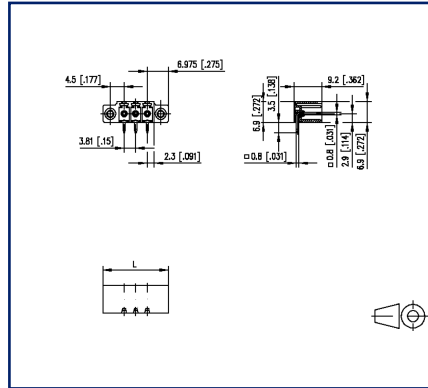
# Data sheet

## PT094xxHBBF Type 392

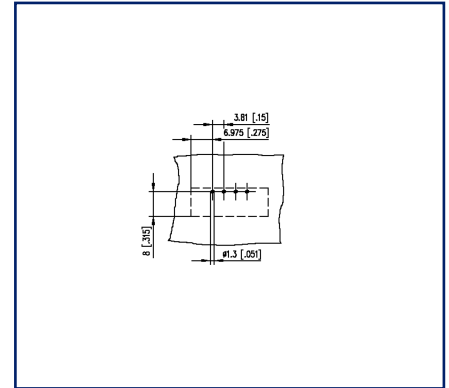
### Illustrations



Dimensional drawing



Drill pattern



See enlarged drawings at the end of document

### Product specification

- pin header, solderable
- centerline 3.81 mm, direction of connection 90°
- closed ends
- color black, mounting flange
- codeable




## Technical Data

### General Data

|                           |         |       |       |
|---------------------------|---------|-------|-------|
| Solder pin length         | 3.5 mm  |       |       |
| min. number of poles      | 2       |       |       |
| max. number of poles      | 24      |       |       |
| Insulating material class | CTI 600 |       |       |
| clearance/creepage dist.  | 3.01 mm |       |       |
| Protection category       | IP00    |       |       |
| Rated current             | 9 A     |       |       |
| Overvoltage category      | III     | III   | II    |
| Pollution degree          | 3       | 2     | 2     |
| Rated voltage             | 200 V   | 500 V | 500 V |
| Rated test voltage        | 4 kV    | 4 kV  | 4 kV  |

### Approvals

|   |                                     |
|---|-------------------------------------|
|  V / A | 300 / 8                             |
| approval UL - File No.  | E121004                             |
| 1.5 mm <sup>2</sup>   | 160 V / 2.5 kV / 9 A / 0.8 x 0.8 mm |

### Material

|                             |                               |
|-----------------------------|-------------------------------|
| insulating material         | PA66                          |
| flammability class          | V0                            |
| contact pin material        | CuFe                          |
| contact pin surface         | Ni + Sn                       |
| Thread insert               | CuZnPb                        |
| Glow-Wire Flammability GWFI | 960 °C acc. to IEC 60695-2-12 |
| Glow-Wire Flammability GWIT | 775 °C acc. to IEC 60695-2-13 |
| REACH                       | compliant                     |
| REACH - substance (SVHC)    | Lead / 7439-92-1              |

### Climatic Data

|                         |        |
|-------------------------|--------|
| upper limit temperature | 105 °C |
| lower limit temperature | -40 °C |

### general

|               |                                     |
|---------------|-------------------------------------|
| Tolerance     | ISO 2768 -mH                        |
| Solderability | Acc. to JEDEC JESD22-B102E 245°C/5s |

# U | Contact

Data sheet

**PT094xxHBBF Type 392**

Page 3/6

P/N

**313921xx**

**xx=number of poles**

2022/12/20

Version: B

## Accessories

| P/N         | Designation                                    |
|-------------|--|
| 720293-01-2 | Coding Star for pin header, centerline 3.81 mm |



# U | Contact

Data sheet

**PT094xxHBBF Type 392**

Page 4/6

P/N

**313921xx**

**xx=number of poles**

2022/12/20

Version: B

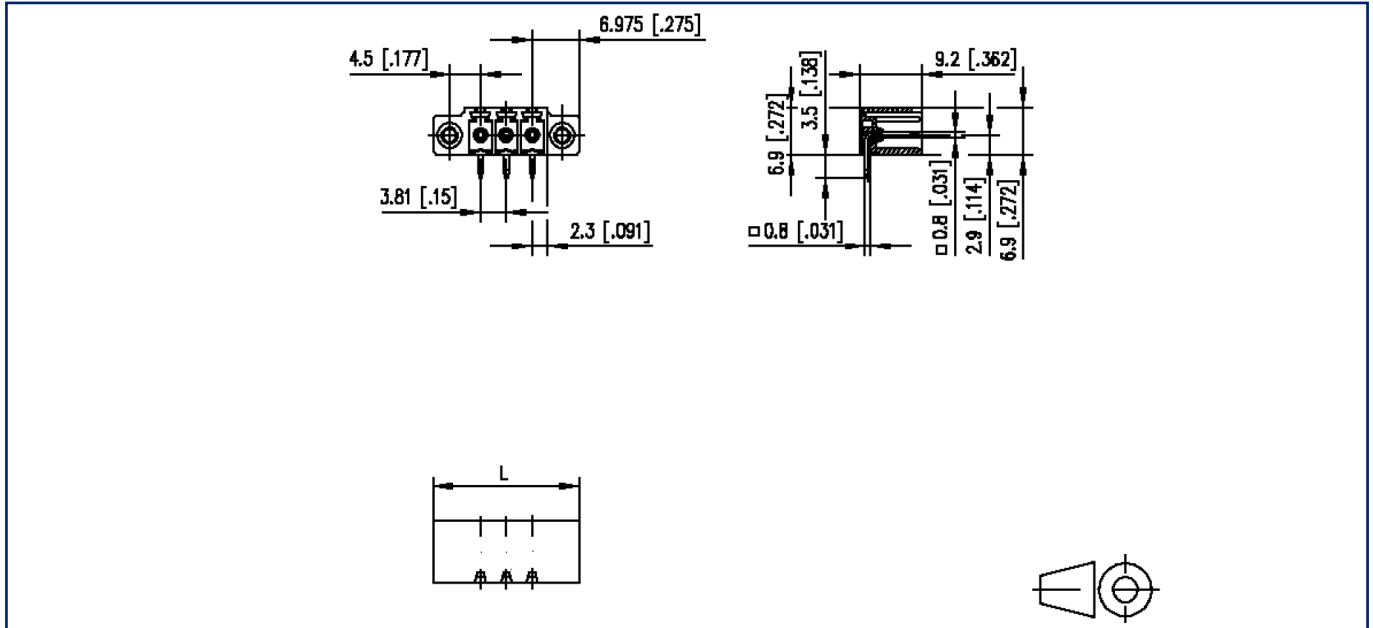
## Counterpart of

| P/N    | Designation          |
|--------|----------------------|
| 313791 | RP034xxVBLF Type 379 |
| ASP084 | SP064xxVGNF ASP084   |



**Illustrations**

Dimensional drawing



$L = (\text{pole size} - 1) \times \text{centerline} + 13.95 \text{ mm} [0.549]$

**Illustrations**

Drill pattern

