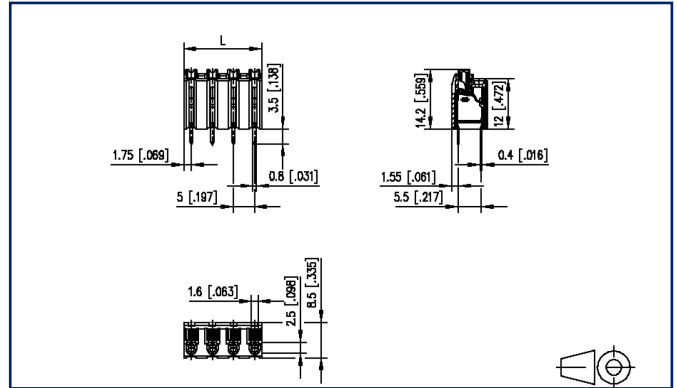


Data sheet
SR215xxVBNC AST215

Illustrations



Dimensional drawing



See enlarged drawings at the end of document

Product specification

- spring clamp terminal block, THR solderable, double solder pins
- centerline 5.00 mm, direction of connection vertical 0°
- fittable without loss of poles
- color black
- Tape & Reel packaging possible
- push-button



Technical Data


General Data

| | | | |
|---------------------------|---------|-------|-------|
| Solder pin length | 3.5 mm | | |
| min. number of poles | 2 | | |
| max. number of poles | 16 | | |
| Insulating material class | CTI 600 | | |
| clearance/creepage dist. | 3.4 mm | | |
| Protection category | IP20 | | |
| Min. insul. strip length | 8.5 mm | | |
| Rated current | 13.5 A | | |
| Overvoltage category | III | III | II |
| Pollution degree | 3 | 2 | 2 |
| Rated voltage | 250 V | 630 V | 630 V |
| Rated test voltage | 4 kV | 4 kV | 4 kV |

Terminal data

| | | | |
|--------------------------|--|--|--|
| rat.wiring solid AWGmax | 0.08 mm ² - 1.5 mm ² / AWG 28 - AWG 16 | | |
| rat.wiring strand.AWGmax | 0.08 mm ² - 1.5 mm ² / AWG 28 - AWG 16 | | |

Approvals

| | | | |
|---|----------------------|--|--|
|  V / A / AWG | 300 / 10 / 28 - 16 | | |
| approval UL - File No. | E121004 | | |
| 1.5 mm ² | 250 V / 17.5 A / T60 | | |

Material

| | |
|-----------------------------|-------------------------------|
| insulating material | PA66/6T |
| flammability class | V0 |
| spring material | Spring steel |
| contact material | CuSn |
| Contact surface | Sn |
| Glow-Wire Flammability GWFI | 960 °C acc. to IEC 60695-2-12 |
| Glow-Wire Flammability GWIT | 775 °C acc. to IEC 60695-2-13 |
| REACH | compliant |
| REACH - substance (SVHC) | none |

Climatic Data

| | |
|-------------------------|--------|
| upper limit temperature | 105 °C |
| lower limit temperature | -40 °C |

general

U | Contact

Data sheet
SR215xxVBNC AST215

Page 3/4

P/N
AST215xx
xx=number of poles
2023/02/20
Version: X

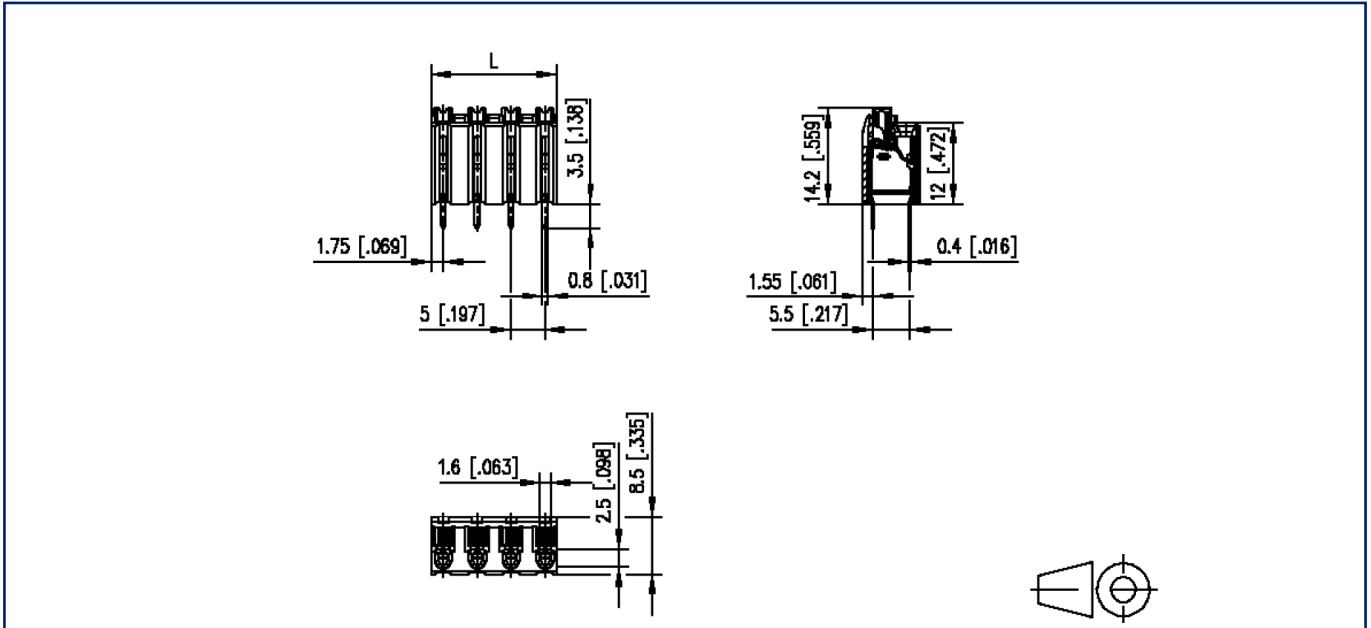
Technical Data

| | |
|---------------|--------------|
| Tolerance | ISO 2768 -mH |
| Solderability | reflowable |



Illustrations

Dimensional drawing



$L = (\text{pole size} - 1) \times \text{centerline} + 3.5 \text{ mm } [0.138]$

© 2023 METZ CONNECT - Technische Änderungen vorbehalten! Subject to modifications! Sous réserve de modifications techniques!