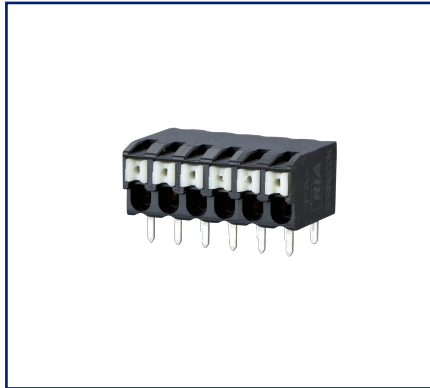
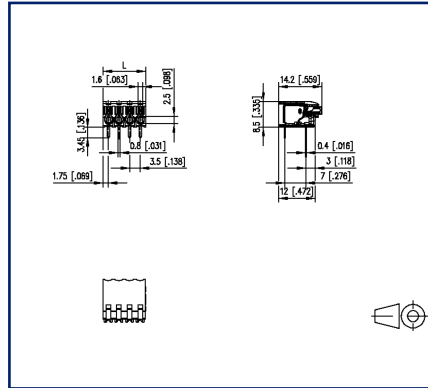


Data sheet
SR213xxHBNC AST223

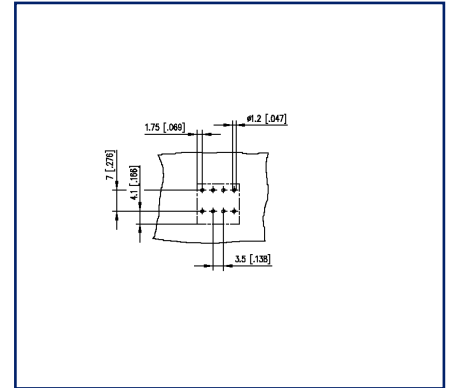
Illustrations



Dimensional drawing



Drill pattern



See enlarged drawings at the end of document

Product specification

- spring clamp terminal block, THR solderable, double solder pins
- centerline 3.50 mm, direction of connection 90°
- fittable without loss of poles
- color black
- Tape & Reel packaging possible
- push-button



Technical Data


General Data

Solder pin length	3.45 mm		
min. number of poles	2		
max. number of poles	12		
Insulating material class	CTI 600		
clearance/creepage dist.	2 mm		
Protection category	IP20		
Min. insul. strip length	8.5 mm		
Rated current	13.5 A		
Overvoltage category	III	III	II
Pollution degree	3	2	2
Rated voltage	160 V	400 V	400 V
Rated test voltage	2.5 kV	2.5 kV	2.5 kV

Terminal data

rat.wiring solid AWGmax	0.08 mm ² - 1.5 mm ² / AWG 28 - AWG 16		
rat.wiring strand.AWGmax	0.08 mm ² - 1.5 mm ² / AWG 28 - AWG 16		

Approvals

 V / A / AWG	150 / 10 / 28 - 16		
approval UL - File No.	E121004		
1.5 mm ²	130 V / 17.5 A / T60		

Material

insulating material	PA66/6T
flammability class	V0
spring material	Spring steel
contact material	CuSn
Contact surface	Sn
Glow-Wire Flammability GWFI	960 °C acc. to IEC 60695-2-12
Glow-Wire Flammability GWIT	775 °C acc. to IEC 60695-2-13
REACH	compliant

Climatic Data

upper limit temperature	105 °C
lower limit temperature	-40 °C

general

Tolerance	ISO 2768 -mH
-----------	--------------

U | Contact

Data sheet

SR213xxHBNC AST223

Page 3/5

P/N

AST223xx

xx=number of poles

2023/02/20

Version: U

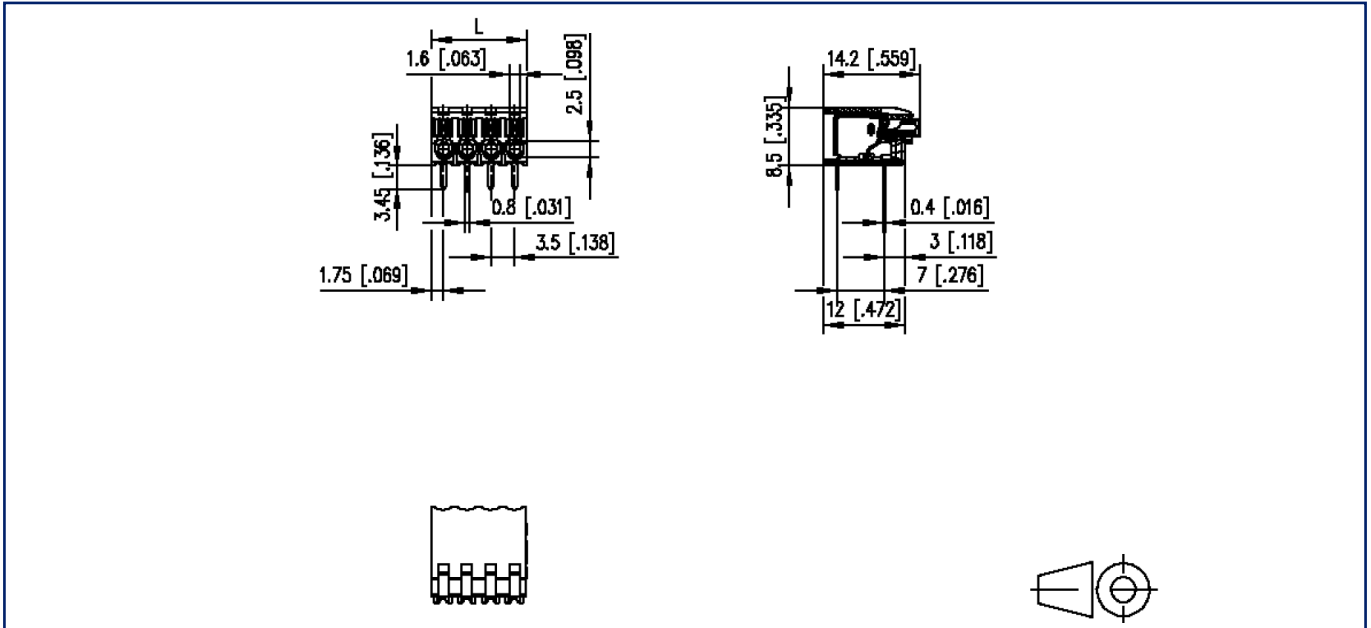
Technical Data

Solderability

reflowable

Illustrations

Dimensional drawing



$L = (\text{pole size} - 1) \times \text{centerline} + 3.5 \text{ mm } [0.138]$

© 2023 METZ CONNECT - Technische Änderungen vorbehalten! Subject to modifications! Sous réserve de modifications techniques!

Illustrations

Drill pattern

