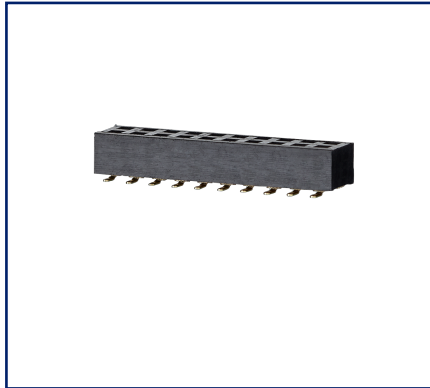
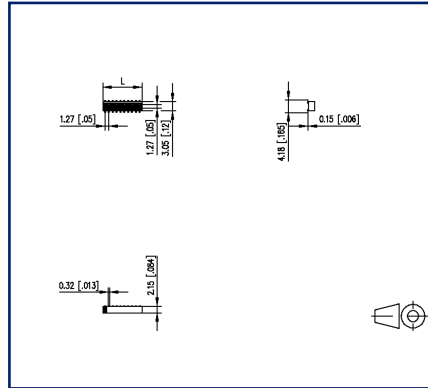


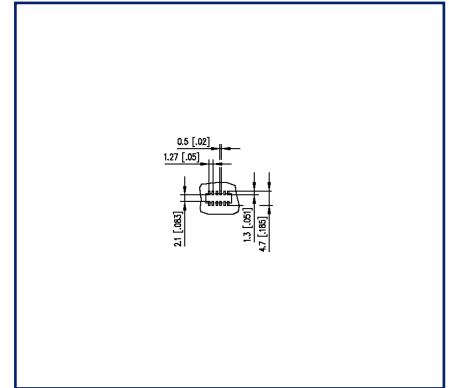
Illustrations



Dimensional drawing



PCB-Layout



See enlarged drawings at the end of document

Product specification

- female connector, SMT solderable
- centerline 1.27 mm, direction of connection vertical 0°
- closed ends
- color black
- Tape & Reel packaging possible
- dual rows



Technical Data

General Data

min. number of poles	2
max. number of poles	40
Protection category	IP00
Rated current	1 A

Material

insulating material	PA6
contact material	CuSn
Contact surface	Ni + Ag
contact pin material	CuSn
contact pin surface	Ni + Au Flash
Glow-Wire Flammability GWFI	-
Glow-Wire Flammability GWIT	-
REACH	compliant

Climatic Data

upper limit temperature	105 °C
lower limit temperature	-40 °C

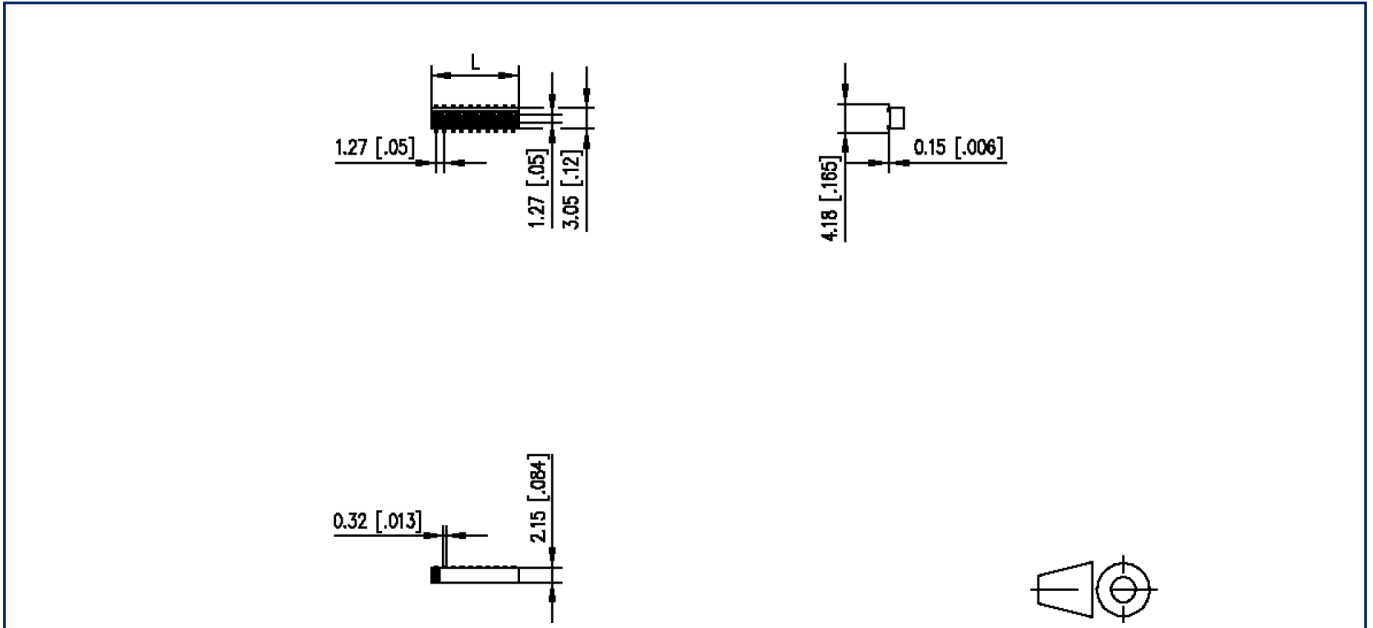
general

Tolerance	ISO 2768 -mH
Solderability	reflowable

© 2023 METZ CONNECT - Technische Änderungen vorbehalten! Subject to modifications! Sous réserve de modifications techniques!

Illustrations

Dimensional drawing



$L = (\text{pole size} - 1) \times \text{centerline} + 1.73 \text{ mm} [0.068]$

Illustrations

PCB-Layout

