

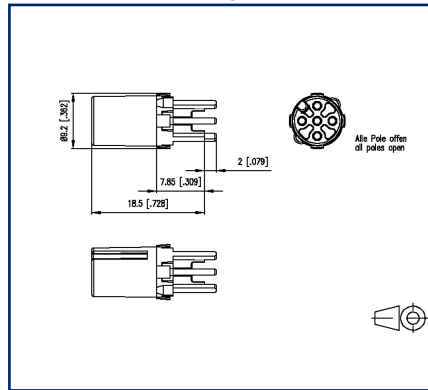
# Data sheet

## PC board insert M12, A-coded, 5-pole, black

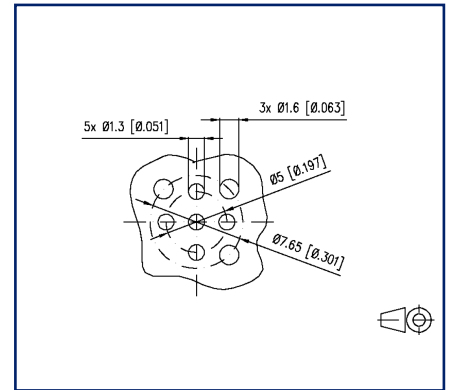
### Illustrations



Dimensional drawing



Drill pattern



See enlarged drawings at the end of document

### Product specification

- PC board insert M12
- 5-pole, A-coded according to IEC 61076-2-101
- THR solderable
- Top entry
- Contact carriers black
- suitable for applications in the railway industry according to data sheet

**PC board insert M12, A-coded, 5-pole, black**

P/N

MMT060A815-0001

EAN 4251394631868

2022/06/27

Version: K

**Technical Data**

<b>General Data</b>	
Dimensions	
Dimension (D x H)	Ø 9.2 mm x 20.5 mm
Dimension (D x H)	0.362 in. x 0.807 in.
Ports	Single port
Solderability	Acc. to IPC/JEDEC J-STD-020E-MSL 1
Coding	A-coded
<b>Electrical characteristics</b>	
Rated voltage	60 V
Current carrying capacity at 40 °C	4 A
Overvoltage category	II
Degree of pollution	2
<b>Mechanical data</b>	
Material	
Material - Contact	CuZnPb
Contact surface	Ni + Au
Material - Insulating body	LCP UL94 V0
Color	black
RoHS	pending
REACH	compliant
<b>Climatic properties</b>	
Temperature - Operating °C	-40 °C - 85 °C
Temperature - Operating °F	-40 °F - 185 °F
<b>Approvals</b>	
Approval mark UL	pending
<b>Packaging</b>	
Type of packaging	10 pc(s) / blister packaging
<b>Standards/Regulations</b>	
Railway applications	
Electronic equipment used on rolling stock	following to DIN EN 50155
Fire protection on railway vehicles	following to DIN EN 45545-2

# U | Contact

Data sheet

Page 3/5

**PC board insert M12, A-coded, 5-pole, black**

P/N

**MMT060A815-0001**

**EAN 4251394631868**

2022/06/27

Version: K

## Technical Data

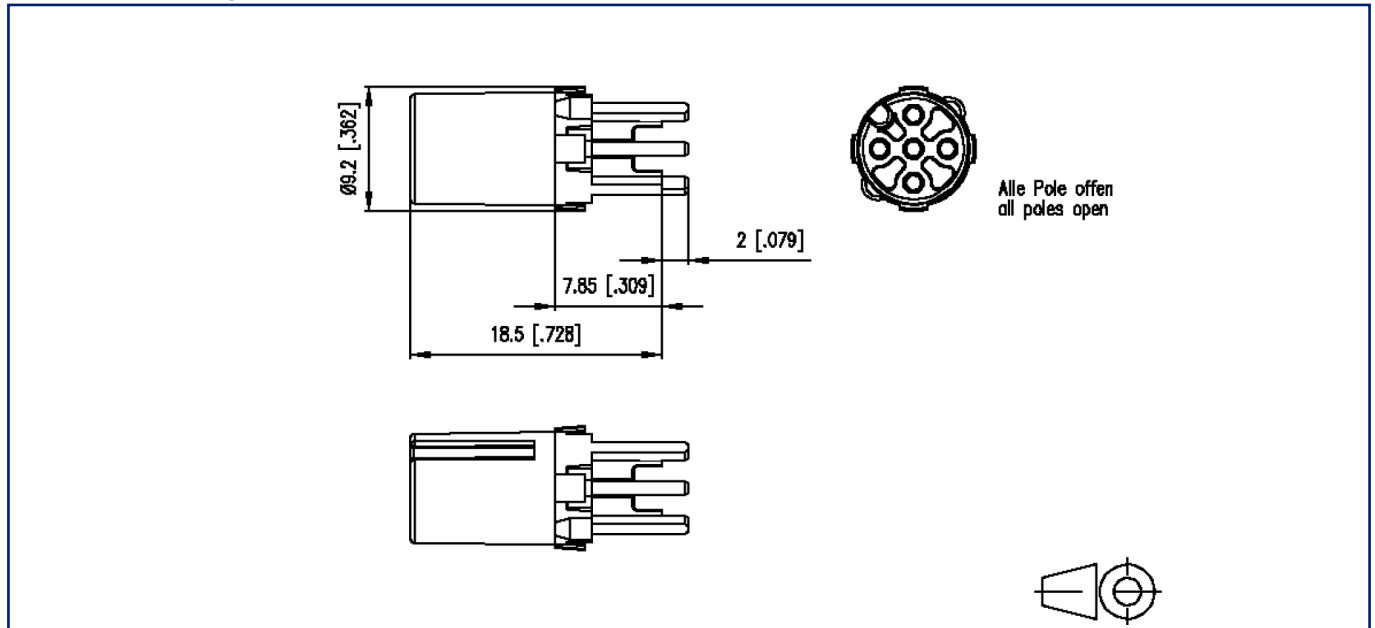
### Classifications

ETIM 7.0	EC002637
ETIM 8.0	EC002637

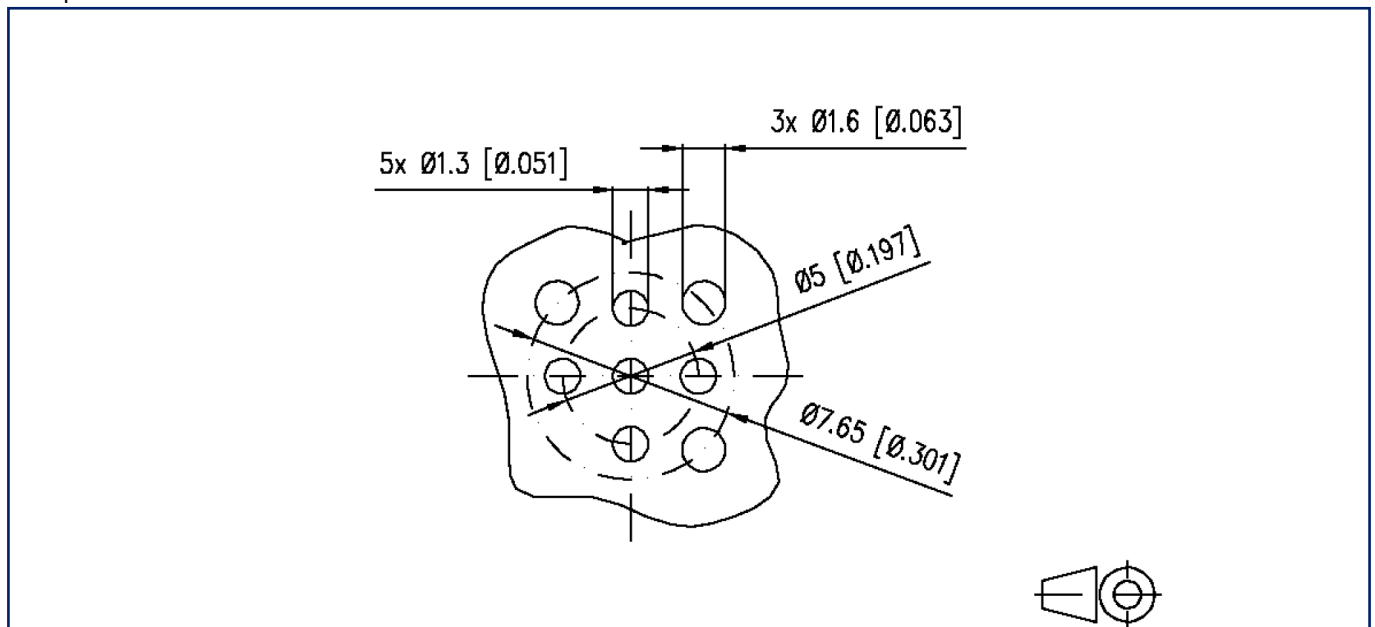


**Illustrations**

Dimensional drawing



Drill pattern



**Illustrations**

Snap-in geometry

