

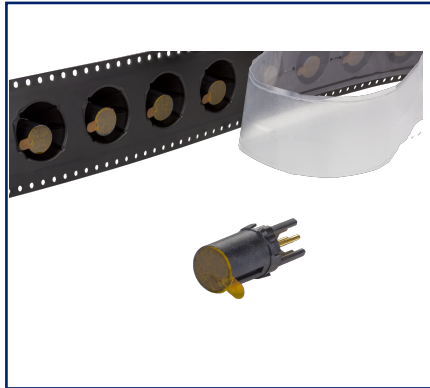
Data sheet

PC board insert M12, A-coded, 5-pole, black, Tape & Reel

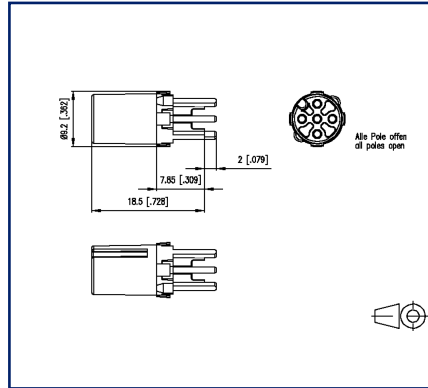
Page 1/5

P/N
MMT060A815-G201
EAN 4251394631882
2022/06/27
Version: K

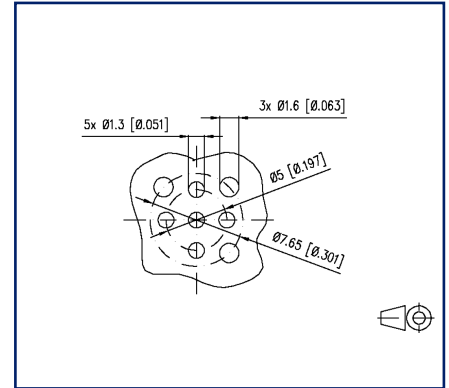
Illustrations



Dimensional drawing



Drill pattern



See enlarged drawings at the end of document

Product specification

- PC board insert M12
- 5-pole, A-coded according to IEC 61076-2-101
- THR solderable
- Top entry
- Contact carriers black
- Tape & Reel packaging
- suitable for applications in the railway industry according to data sheet



PC board insert M12, A-coded, 5-pole, black, Tape & Reel

P/N
MMT060A815-G201
EAN 4251394631882
 2022/06/27
 Version: K

Technical Data

General Data

| | |
|-------------------|------------------------------------|
| Dimensions | |
| Dimension (D x H) | Ø 9.2 mm x 20.5 mm |
| Dimension (D x H) | 0.362 in. x 0.807 in. |
| Ports | Single port |
| Solderability | Acc. to IPC/JEDEC J-STD-020E-MSL 1 |
| Coding | A-coded |

Electrical characteristics

| | |
|------------------------------------|------|
| Rated voltage | 60 V |
| Current carrying capacity at 40 °C | 4 A |
| Overvoltage category | II |
| Degree of pollution | 2 |

Mechanical data

| | |
|----------------------------|-------------|
| Material | |
| Material - Contact | CuZnPb |
| Contact surface | Ni + Au |
| Material - Insulating body | LCP UL94 V0 |
| Color | black |
| RoHS | pending |
| REACH | compliant |

Climatic properties

| | |
|----------------------------|-----------------|
| Temperature - Operating °C | -40 °C - 85 °C |
| Temperature - Operating °F | -40 °F - 185 °F |

Approvals

| | |
|------------------|---------|
| Approval mark UL | pending |
|------------------|---------|

Packaging

| | |
|-------------------|-------------------------|
| Type of packaging | 160 pc(s) / Tape & Reel |
|-------------------|-------------------------|

Standards/Regulations

| | |
|--------------------------------------------|-----------------------------|
| Railway applications | |
| Electronic equipment used on rolling stock | following to DIN EN 50155 |
| Fire protection on railway vehicles | following to DIN EN 45545-2 |

U | Contact

Data sheet

Page 3/5

PC board insert M12, A-coded, 5-pole, black, Tape & Reel

P/N

MMT060A815-G201

EAN 4251394631882

2022/06/27

Version: K

Technical Data

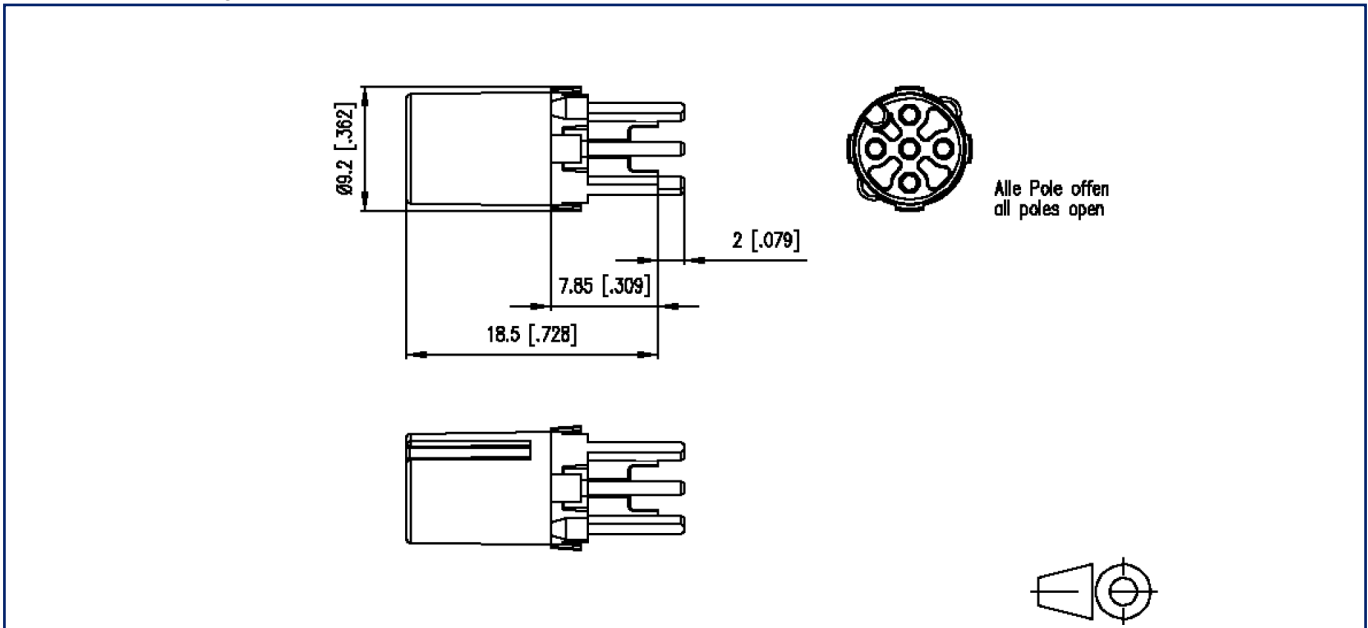
Classifications

| | |
|----------|----------|
| ETIM 7.0 | EC002637 |
| ETIM 8.0 | EC002637 |

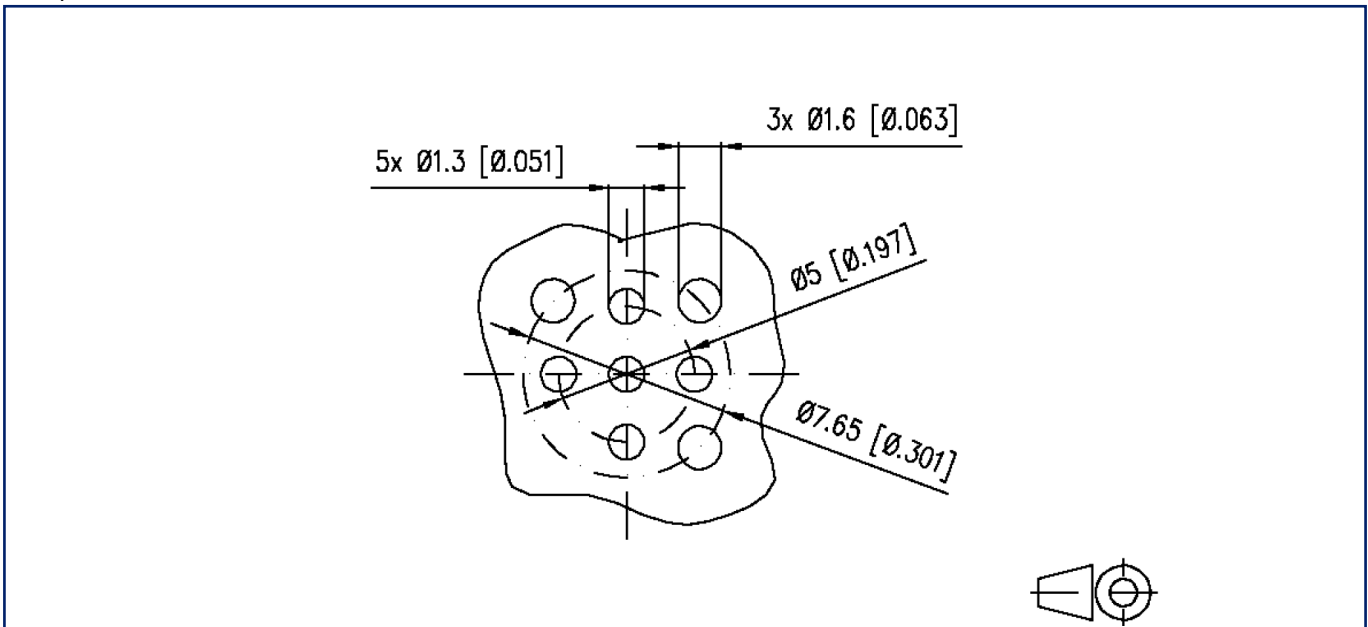


Illustrations

Dimensional drawing



Drill pattern



Illustrations

Snap-in geometry

