

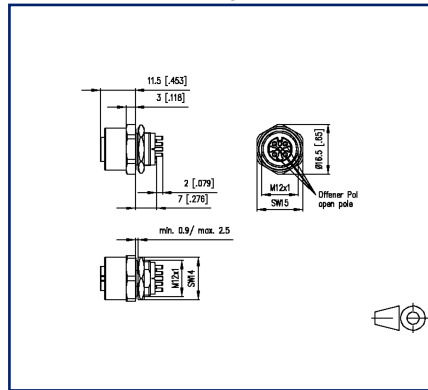
Data sheet

PC board jack M12, A-coded, 4-pole, IP67

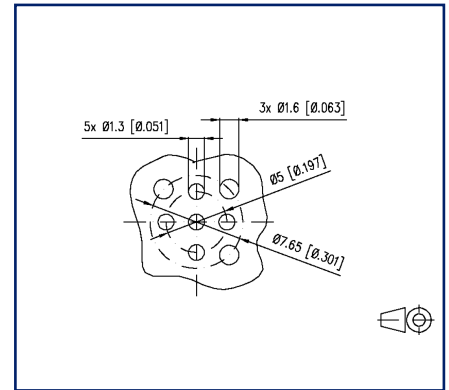
Illustrations



Dimensional drawing



Drill pattern



See enlarged drawings at the end of document

Product specification

- PC board jack M12
- Front wall mounting
- 4-pole, A-coded according to IEC 61076-2-101
- THR solderable
- Top entry
- Contact carriers black
- IP67 when plugged in
- suitable for applications in the railway industry according to data sheet

PC board jack M12, A-coded, 4-pole, IP67

P/N

MMT361A715

EAN 4251394631950

2022/06/27

Version: G

Technical Data

General Data

Dimensions

Dimension (D x H)	Ø 16.5 mm x 20.5 mm
Dimension (D x H)	0.65 in. x 0.807 in.

Ports	Single port
-------	-------------

Solderability	Acc. to IPC/JEDEC J-STD-020E-MSL 1
---------------	------------------------------------

Coding	A-coded
--------	---------

Electrical characteristics

Rated voltage	250 V
---------------	-------

Current carrying capacity at 40 °C	4 A
------------------------------------	-----

Insulation resistance	min. 100 MOhm
-----------------------	---------------

Overvoltage category	II
----------------------	----

Degree of pollution	2
---------------------	---

Mechanical data

Material

Material - Housing	CuZnPb
--------------------	--------

Material - Contact	CuZnPb
--------------------	--------

Contact surface	Ni + Au
-----------------	---------

Material - Insulating body	LCP UL94 V0
----------------------------	-------------

Color	black
-------	-------

RoHS	compliant
------	-----------

REACH	compliant
-------	-----------

Life - Number of mating cycles	>= 100
--------------------------------	--------

Tightening torque - Plug	0,6 - 1 Nm
--------------------------	------------

Tightening torque - Jack mounting	3 Nm +/- 0,5 Nm
-----------------------------------	-----------------

Protection category	IP67 when plugged in
---------------------	----------------------

Climatic properties

Temperature - Operating °C	-40 °C - 85 °C
----------------------------	----------------

Temperature - Operating °F	-40 °F - 185 °F
----------------------------	-----------------



Technical Data

Approvals

Approval mark UL pending

Packaging

Type of packaging 10 pc(s) / blister packaging

Standards/Regulations

Railway applications

Electronic equipment used on rolling stock following to DIN EN 50155

Fire protection on railway vehicles following to DIN EN 45545-2

Contact holder Thermoplastic

Sealings Elastomer

Shock and vibration DIN EN 50155:2018-05, DIN EN 61373:2011-04 Class 1 Category B

Salt spray DIN EN 50155:2018-05, (DIN EN 60068-2-11:2000-02/ 48h test KA)

Classifications

ETIM 7.0 EC002637

ETIM 8.0 EC002637



U | Contact

Data sheet

PC board jack M12, A-coded, 4-pole, IP67

Page 4/4

P/N
MMT361A715

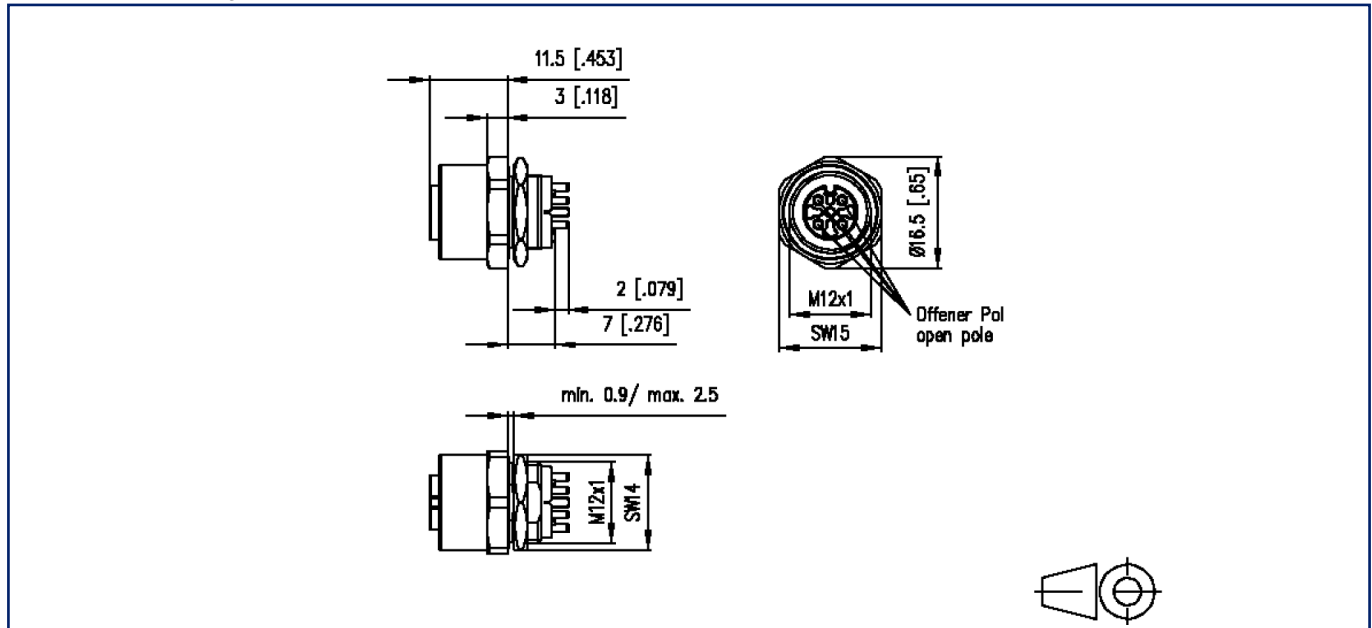
EAN 4251394631950

2022/06/27

Version: G

Illustrations

Dimensional drawing



Drill pattern

