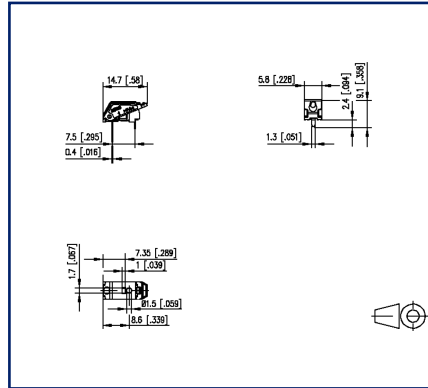


**Data sheet**  
**SR99S01VBNN06G7 orange**

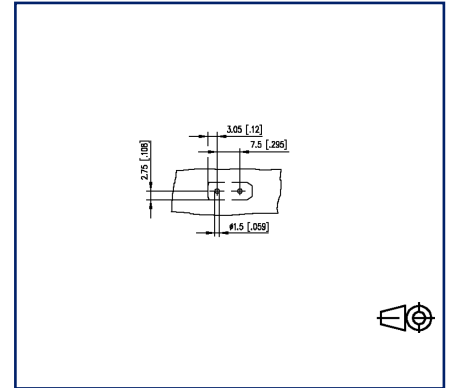
**Illustrations**



Dimensional drawing



Drill pattern



See enlarged drawings at the end of document

**Product specification**

- ethernet-capable spring clamp terminal block, THR solderable, double solder pins
- direction of connection 90°
- fittable without loss of poles
- color orange
- Tape & Reel packaging possible
- finger push-button
- test point and wire connection indicator
- Variants: black, creme white, yellow, green, red, blue, orange, gray, brown, white



## Technical Data


### General Data

Solder pin length	2.4 mm
pole size	1
Insulating material class	CTI 600
Protection category	IP20
Min. insul. strip length	7 mm
Rated current	9 A

### Terminal data

rat.wiring solid AWGmax	0.2 mm <sup>2</sup> - 1.5 mm <sup>2</sup> / AWG 24 - AWG 16
rat.wiring strand.AWGmax	0.2 mm <sup>2</sup> - 1.5 mm <sup>2</sup> / AWG 24 - AWG 16

### Approvals

 V / A / AWG	300 / 9 / 24 - 16
approval UL - File No.	E121004
0.75 mm <sup>2</sup>	9 A / T60

### Transmission characteristics

2-pole   Data transmission according to IEEE 802.3cg	10 Mbit/s up to 1.000 m STP
2-pole   Data transmission according to IEEE 802.3bp	1Gbit/s up to 15 m UTP 1Gbit/s up to 40 m STP
4-pole   Data transmission according to IEEE 802.3i/u/y	10/100 MBit/s up to 100 m
8-pole   Data transmission according to IEEE 802.3ab	1 Gbit/s up to 100 m
8-pole   Data transmission according to IEEE 802.3an	10 Gbit/s up to 100 m
2-pole   Power transmission	PoDL, IEEE 802.3bu 60 W
4-pole   Power transmission	PoE, IEEE 802.3af, 15,4 W PoE+, IEEE 802.3at, 30 W
8-pole   Power transmission	PoE, IEEE 802.3af, 15,4 W PoE+, IEEE 802.3at, 30 W 4PPoE, IEEE802.3bt, 90 W

### Material

insulating material	PPA
flammability class	V0
spring material	Spring steel
contact material	CuSn
Contact surface	Sn
Glow-Wire Flammability GWFI	850 °C acc. to IEC 60695-2-12
Glow-Wire Flammability GWIT	775 °C acc. to IEC 60695-2-13
REACH	compliant

# U | Contact

Data sheet

**SR99S01VBNN06G7 orange**

Page 3/4

**P/N**  
**SR99S01VBNN06G7**

2023/02/22  
Version: Z

## Technical Data

### Climatic Data

upper limit temperature	105 °C
lower limit temperature	-40 °C

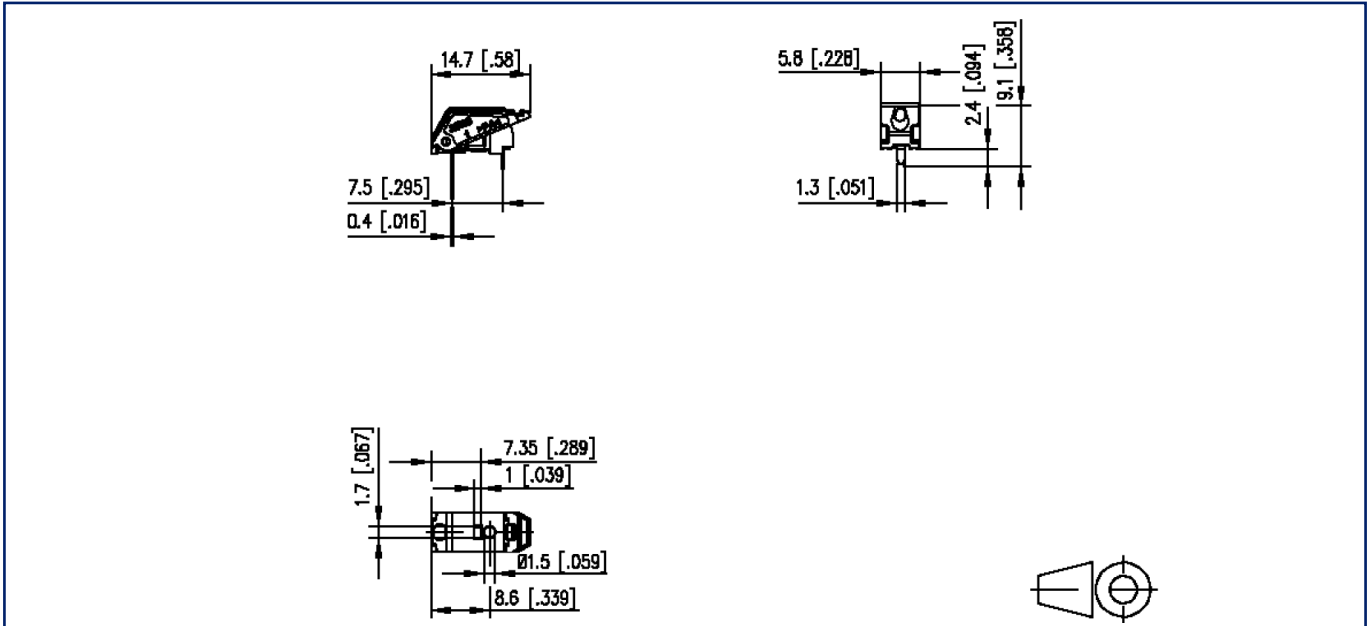
### general

Tolerance	ISO 2768 -mH
Solderability	reflowable



**Illustrations**

Dimensional drawing



Drill pattern

