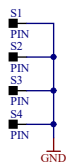
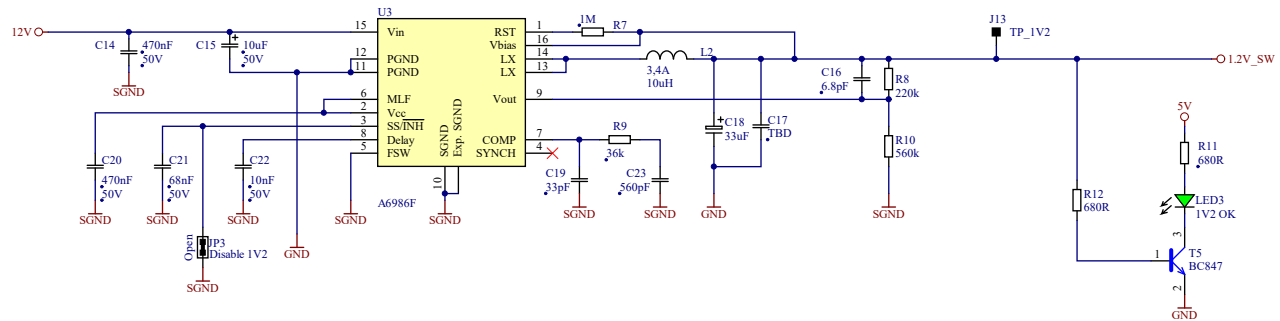



Pick and place assembly MARK  
 Pick and place assembly MARK  
 Pick and place assembly MARK

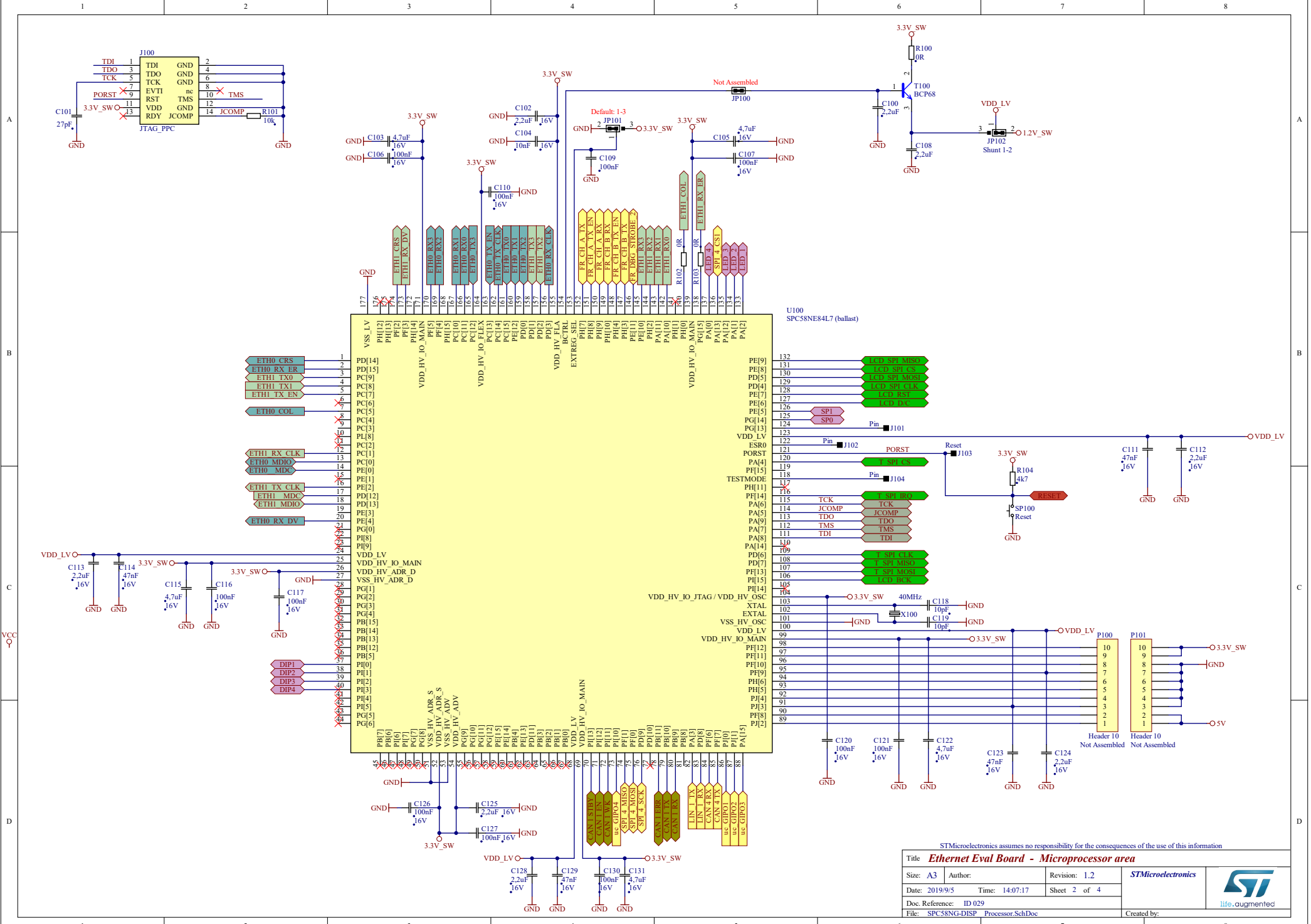
DEMO BOARD FOR EVALUATING PURPOSE ONLY!

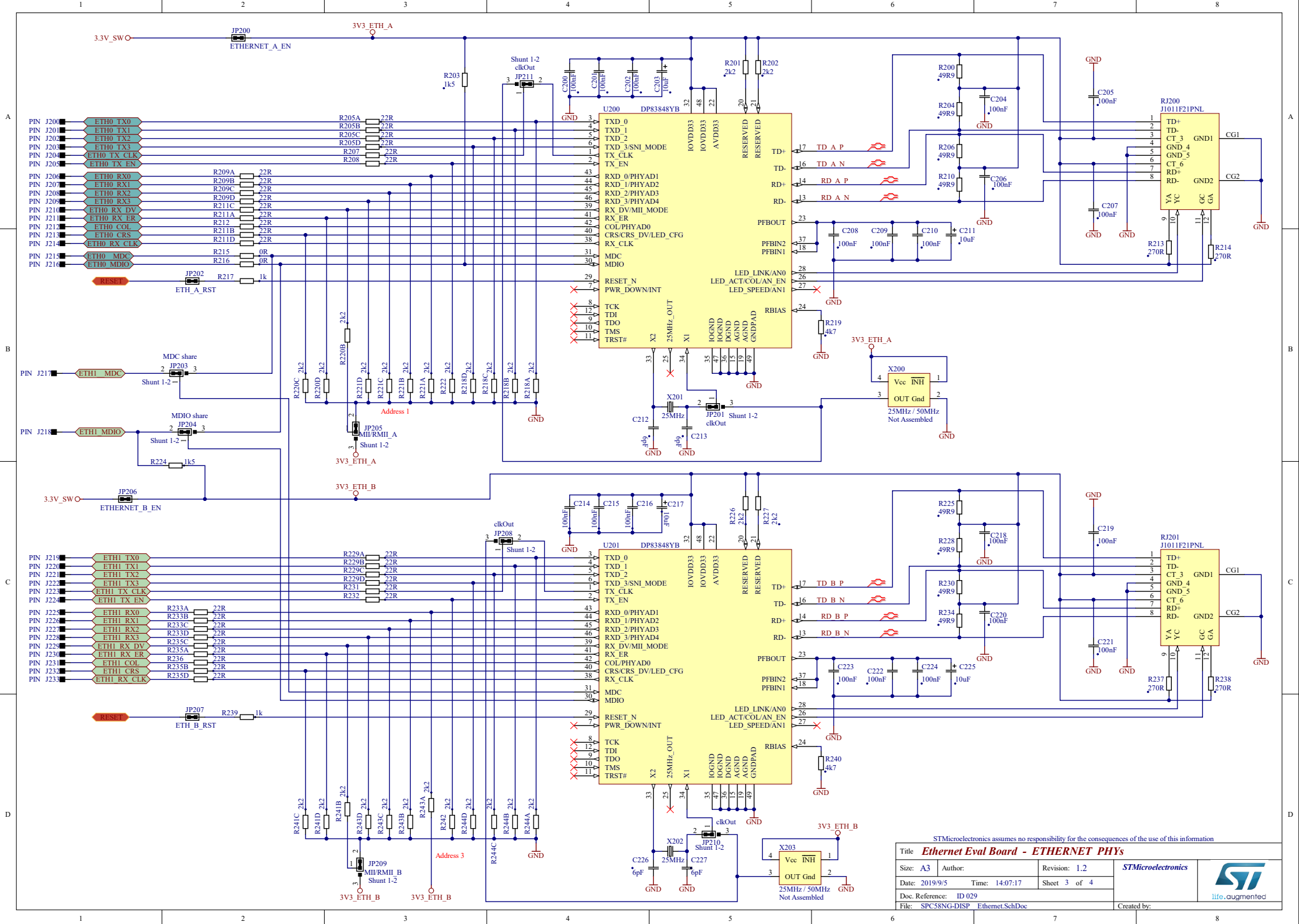
RoHS COMPLIANT



STMicroelectronics assumes no responsibility for the consequences of the use of this information

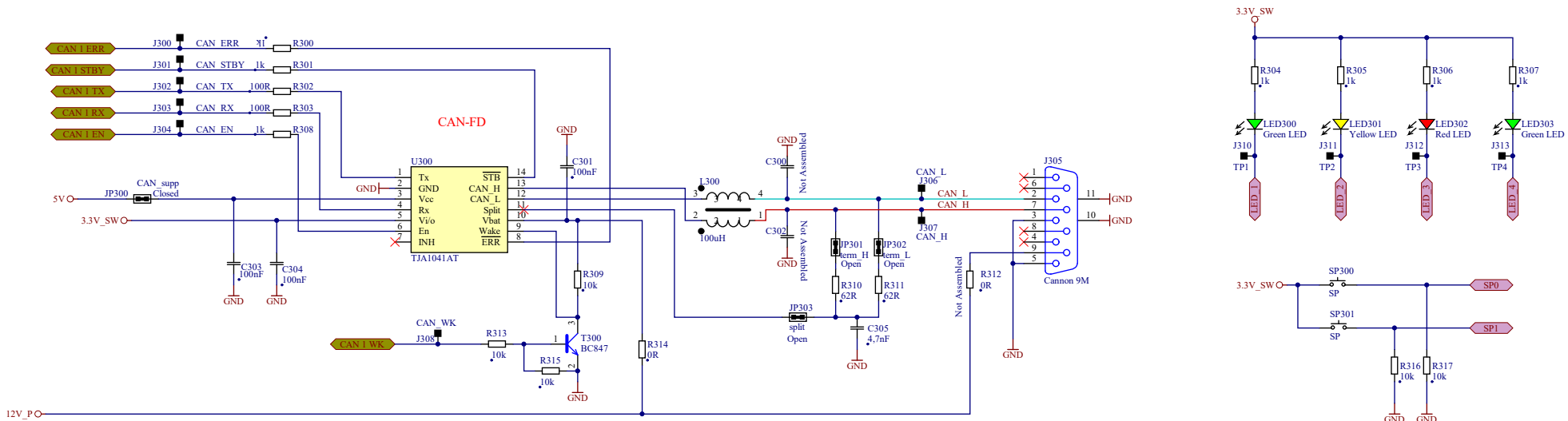
Title <b>Ethernet Eval Board - Power supply</b>				 lfo.augmented
Size: A3	Author:	Revision: 1.20	STMicroelectronics	
Date: 2019/9/5	Time: 14:07:16	Sheet 1 of 4		
Doc. Reference: ID 029			Created by:	
File: SPC58NG_DISP_PowerSupply.SchDoc				





Title <b>Ethernet Eval Board - ETHERNET PHYs</b>				STMicroelectronics	
Size: A3	Author:	Revision: 1.2	Sheet 3 of 4		
Date: 2019/9/5	Time: 14:07:17	Doc. Reference: ID 029			
File: SPC58NG-DISP_Ethernet.SchDoc				Created by:	





**Communication daughterboard socket**

