

# STM8 SO8 Discovery

---

MB1383

---

## Table of contents

---

- Sheet 1: Project overview
- Sheet 2: Top
- Sheet 3: STM8S001J3 module
- Sheet 4: STM8L001J3 module
- Sheet 5: STM8L050J3 module
- Sheet 6: Button, LED and programming socket
- Sheet 7: ST-Link/V2 SWIM mode
- Sheet 8: Mechanical

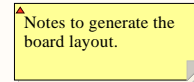
## Legend

---

General comment such as function title, configuration, ...

Text to be added to silkscreen.

Warning text.



## Open Platform License Agreement

---

The Open Platform License Agreement (“Agreement”) is a binding legal contract between you (“You”) and STMicroelectronics International N.V. (“ST”), a company incorporated under the laws of the Netherlands acting for the purpose of this Agreement through its Swiss branch 39, Chemin du Champ des Filles, 1228 Plan-les-Ouates, Geneva, Switzerland.

By using the enclosed reference designs, schematics, PC board layouts, and documentation, in hardcopy or CAD tool file format (collectively, the “Reference Material”), You are agreeing to be bound by the terms and conditions of this Agreement. Do not use the Reference Material until You have read and agreed to this Agreement terms and conditions. The use of the Reference Material automatically implies the acceptance of the Agreement terms and conditions.

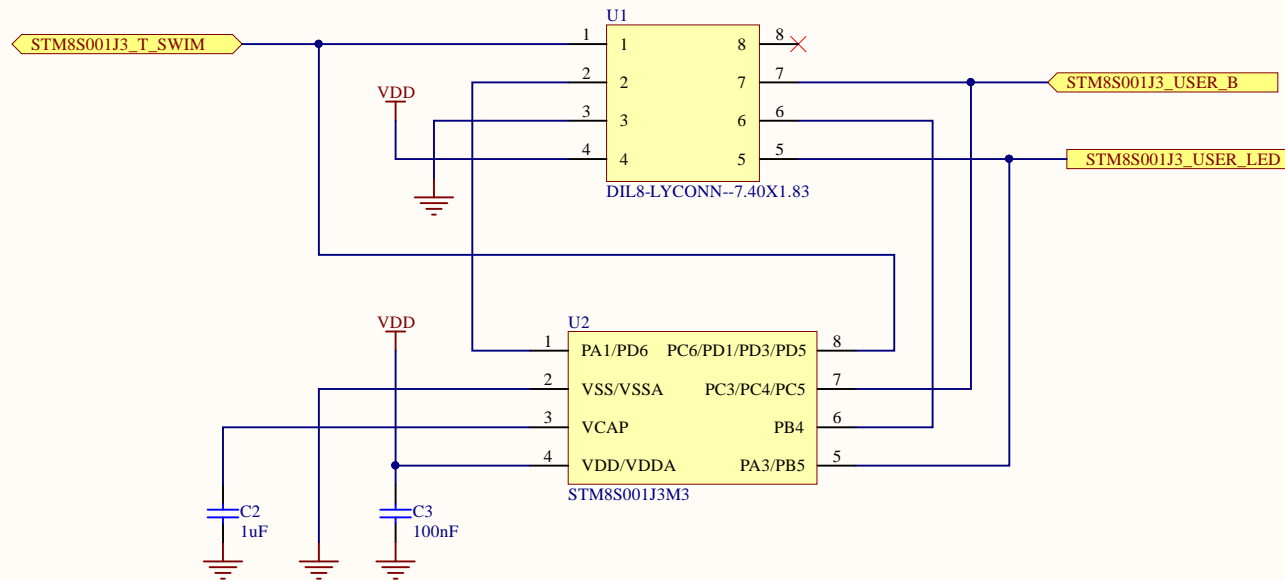
The complete Open Platform License Agreement can be found on [www.st.com/opla](http://www.st.com/opla).

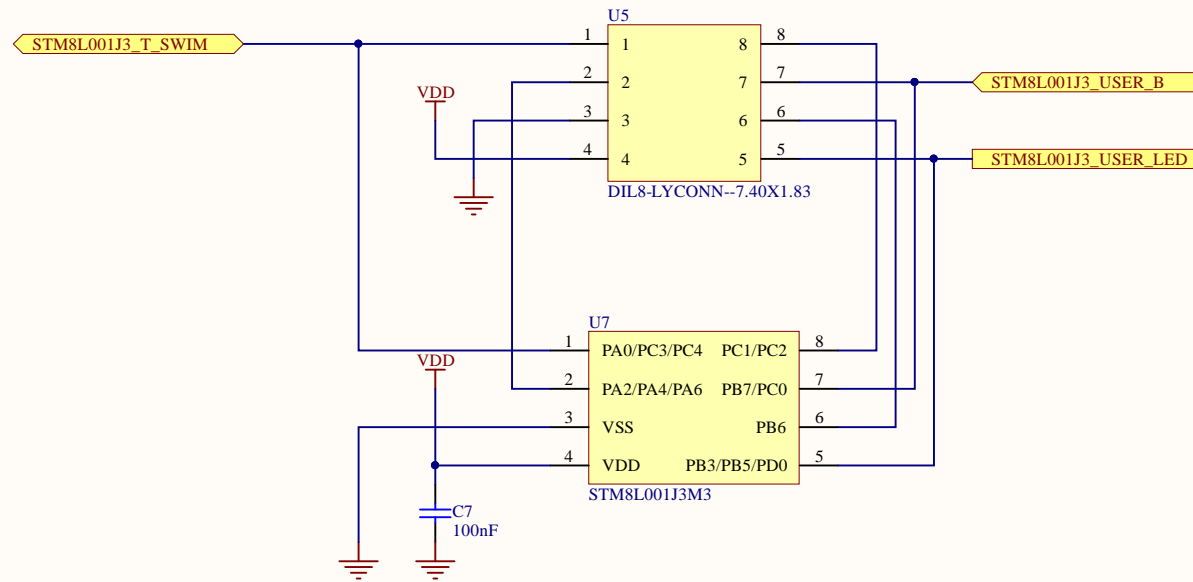
U\_Top  
Top.SchDoc

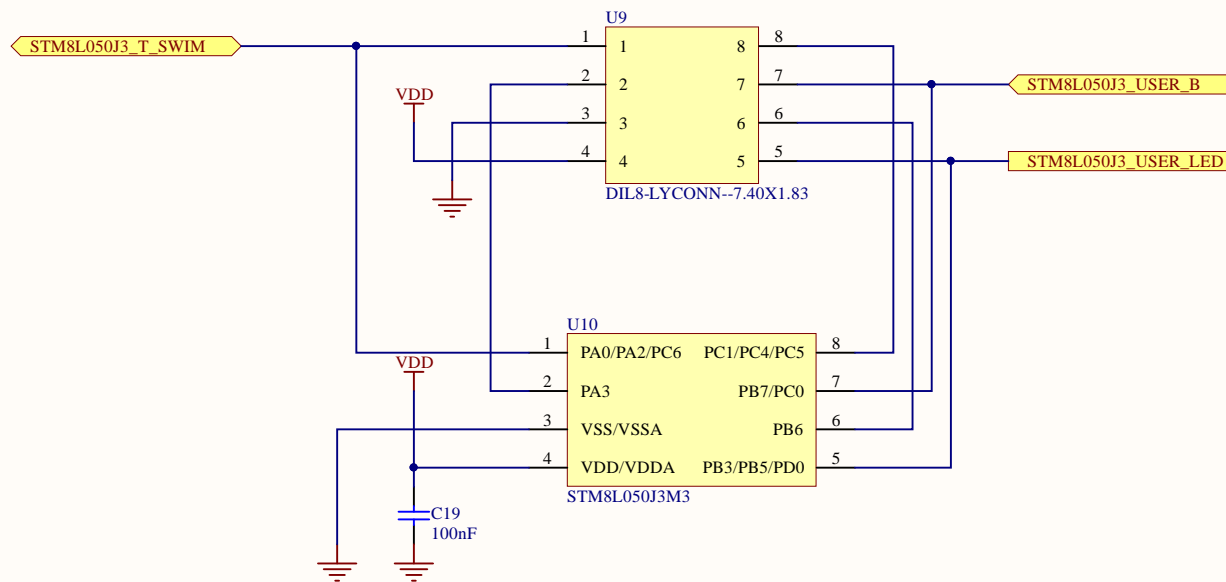


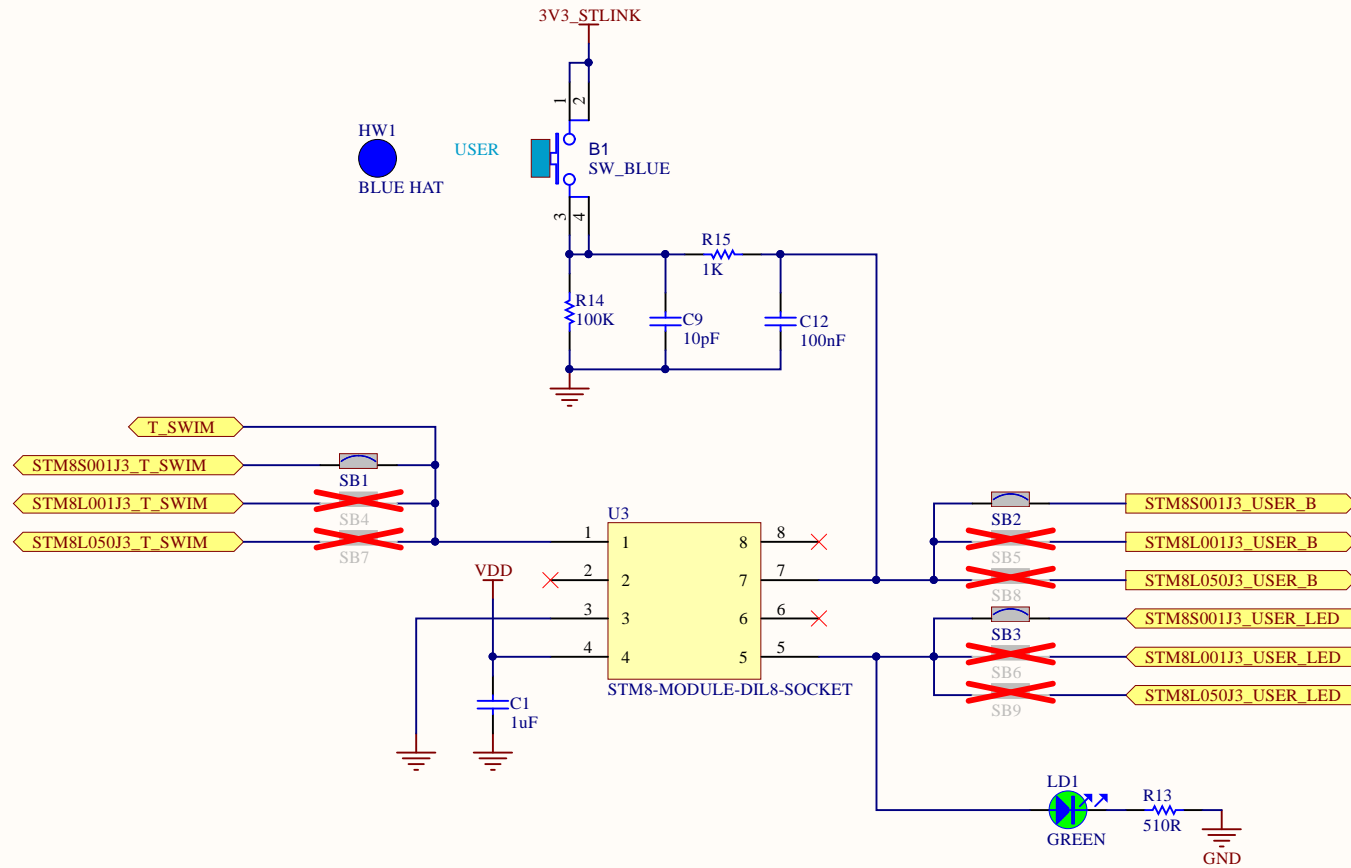
|                                    |                 |                   |
|------------------------------------|-----------------|-------------------|
| Title: <b>Project overview</b>     |                 |                   |
| Project: <b>STM8 SO8 Discovery</b> |                 |                   |
| Variant: Default                   |                 |                   |
| Revision: A-02                     |                 | Reference: MB1383 |
| Size: A4                           | Date: 11-DEC-17 | Sheet: 1 of 8     |

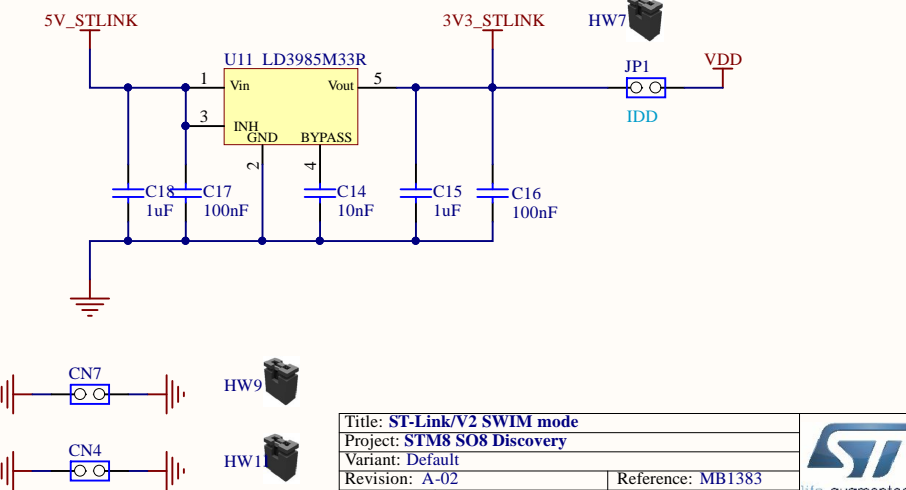
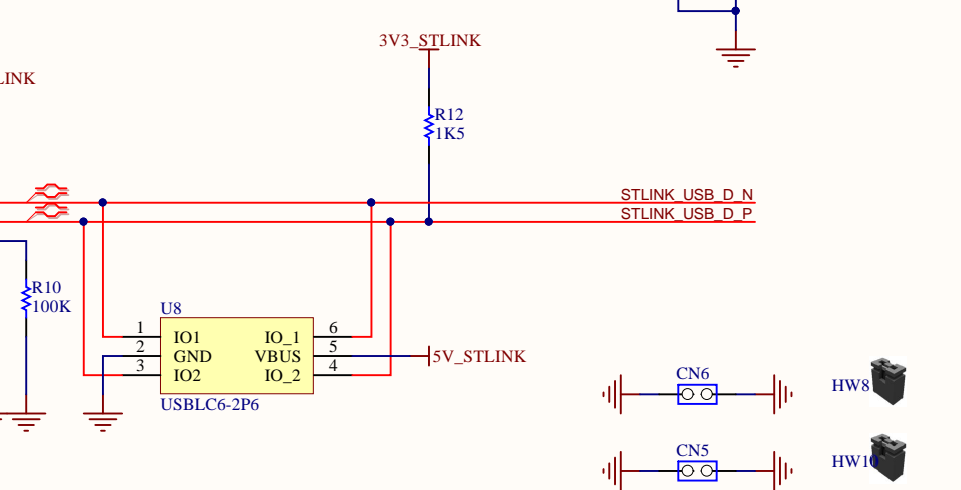
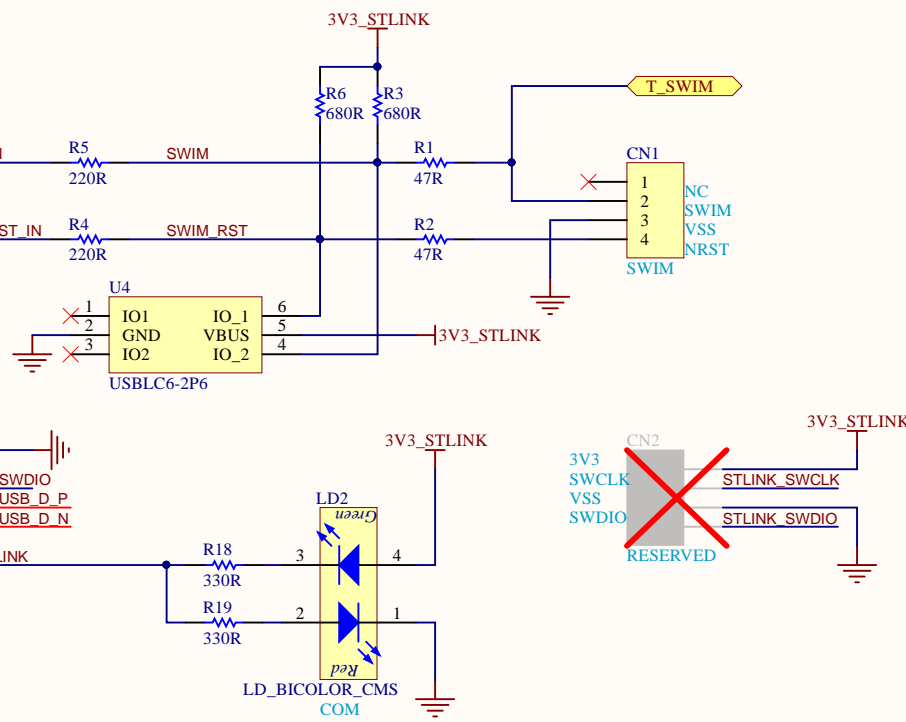
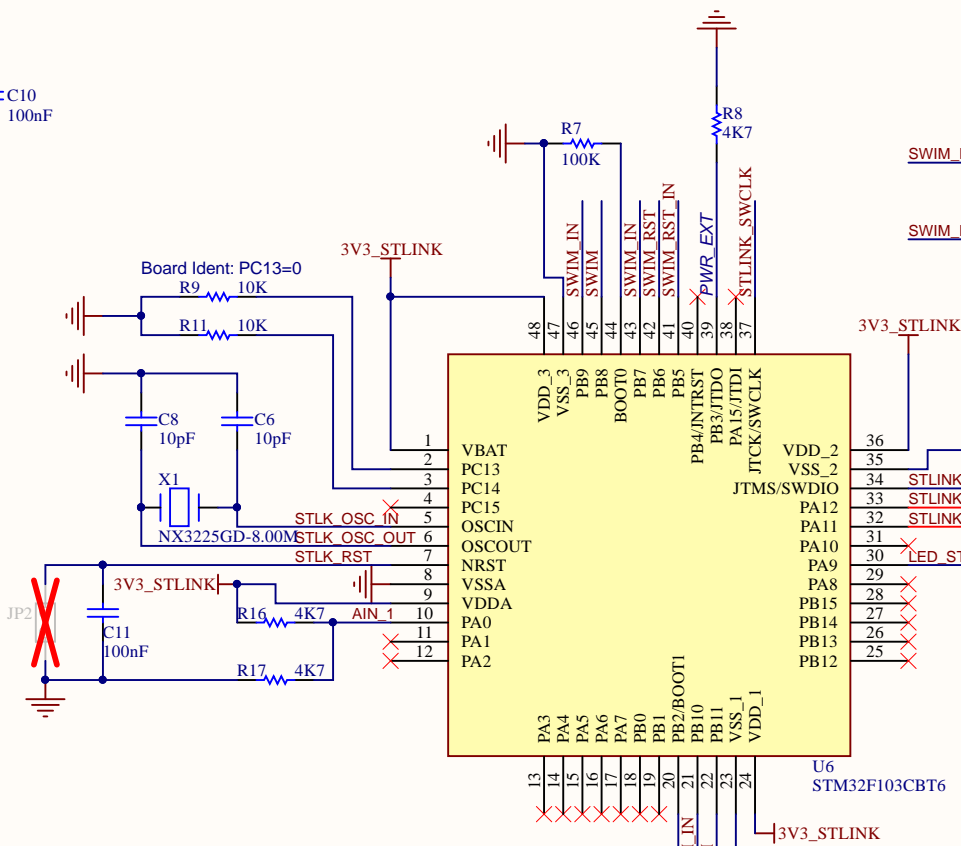
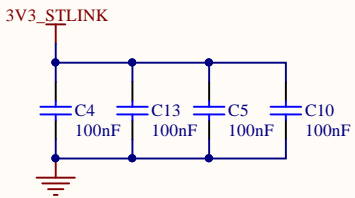












|                             |                   |  |
|-----------------------------|-------------------|--|
| Title: ST-Link/V2 SWIM mode |                   |  |
| Project: STM8 SO8 Discovery |                   |  |
| Variant: Default            |                   |  |
| Revision: A-02              | Reference: MB1383 |  |
| Size: A4                    | Date: 11-DEC-17   |  |

HW3  
LOGO ESD

HW4  
LOGO ROHS

HW5  
LOGO ST

HW2  
LOGO CE

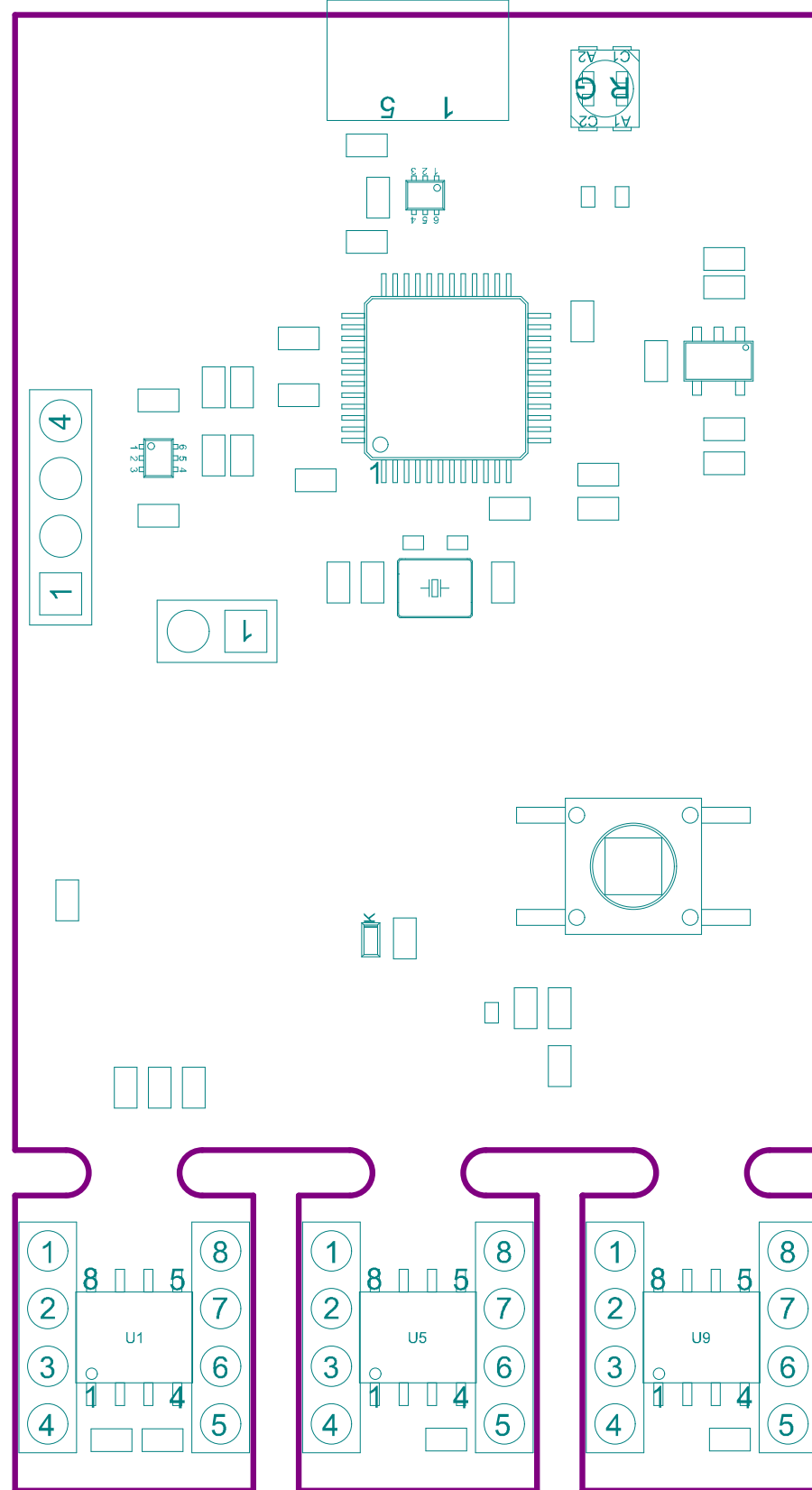
HW6  
BOARD REF  
mbxxxY-zz syywxxxxx

HW12  
PCB  
mbxxxY

HW13  
BLISTER  
Blister\_mbxxxx

HW14  
BLISTER CARD  
Insert-card\_mbxxxx





Project: STM8 SO8 Discovery

Layer: M14-Top Assembly

Variant: Default

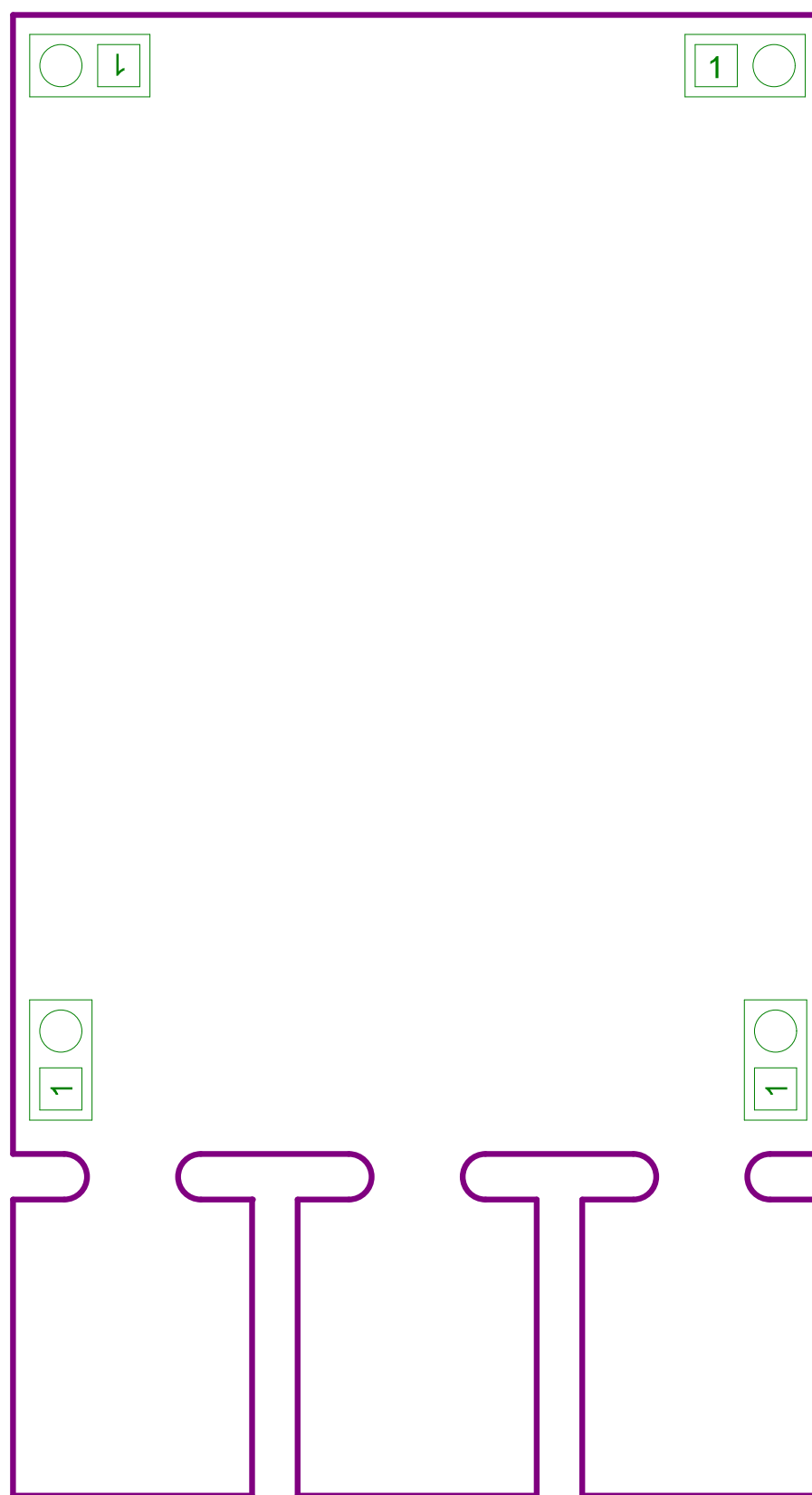
Date: 11-DEC-17

Gerber: .GM14

Ref: MB1383

Rev: A





Project: STM8 SO8 Discovery

Layer: M15-Bottom Assembly

Variant: Default

Date: 11-DEC-17

Gerber: .GM15

Ref: MB1383

Rev: A



