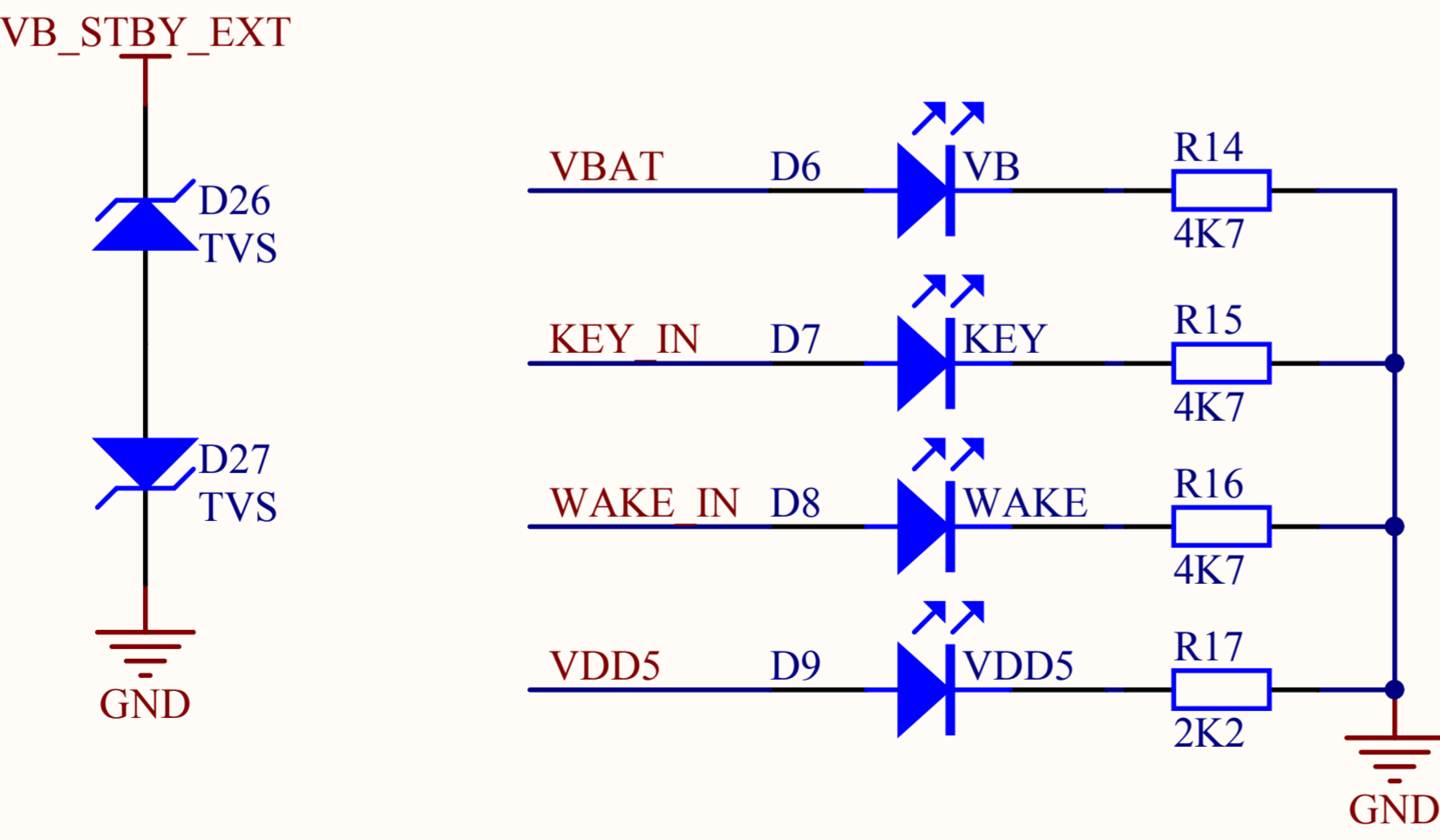
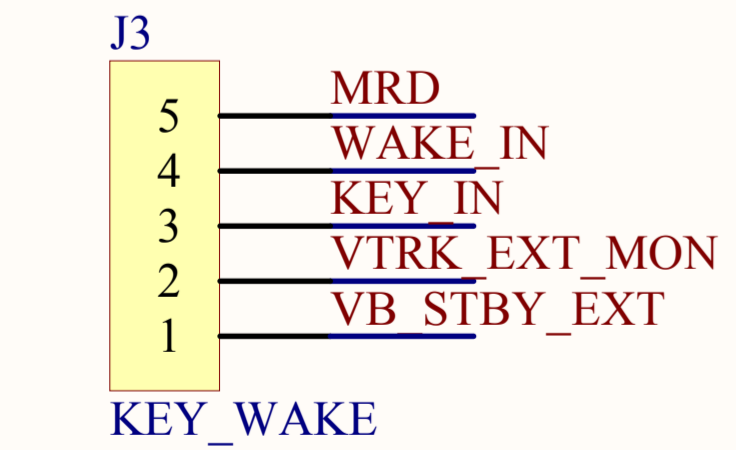
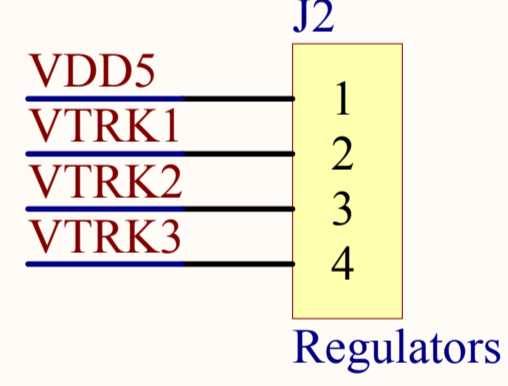
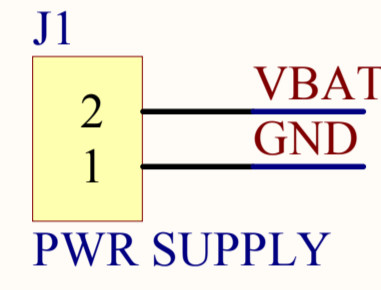
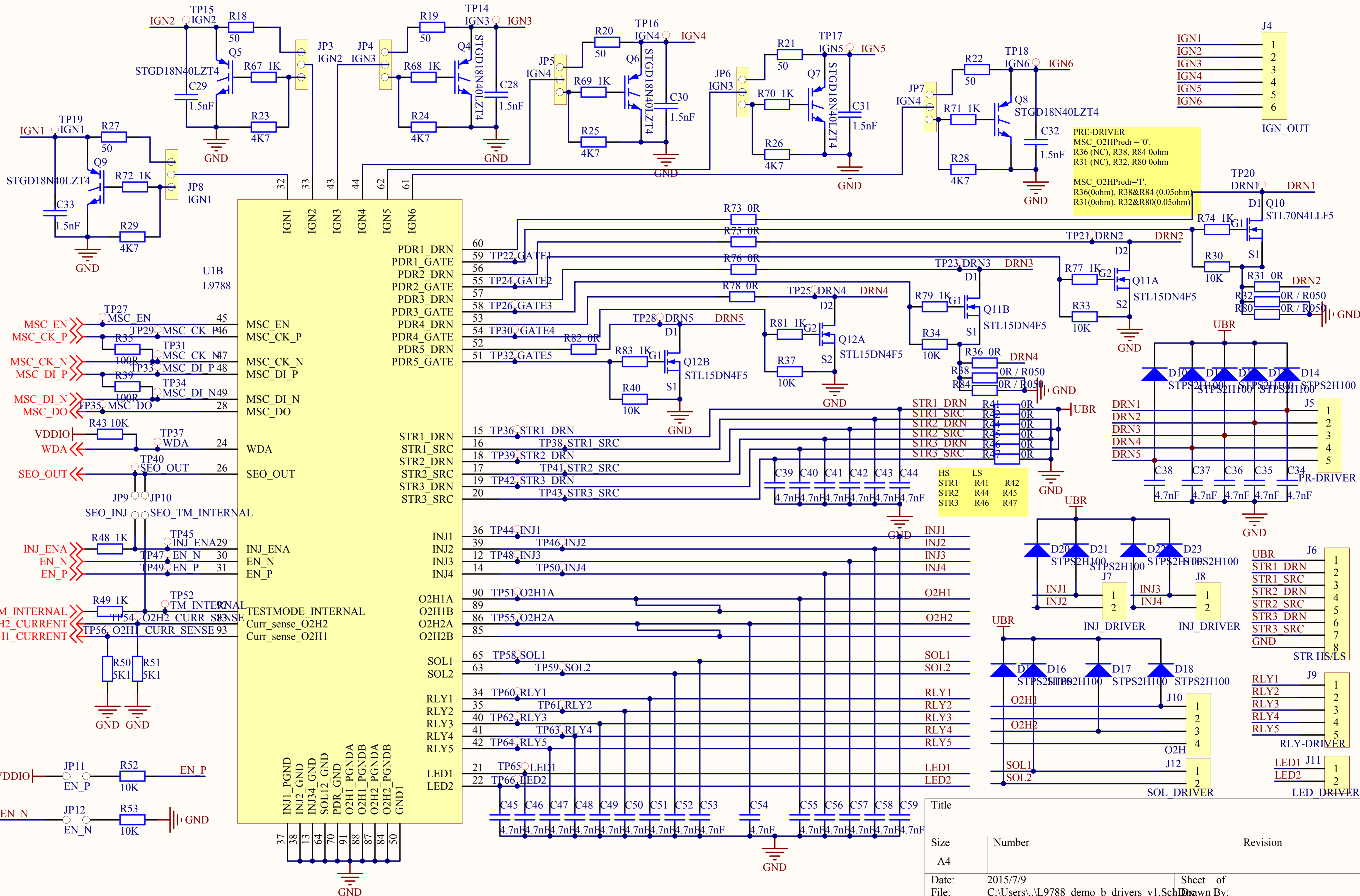


1. R1, R3, C12, C13, R4, C17, C19 , reverse footprint, not mounted at default
 2. D2, D4 -> modify SMC footprint to compatible with SMB size
 3. L1, L2 -> footprint will be compatibled with 10.7*10 also 7.3*6.8 size inductor.
 4. VDD5 Ext. MOS-> BUK9Y40 is mounted at deafault, D2PAK/DAPK package is reserved.



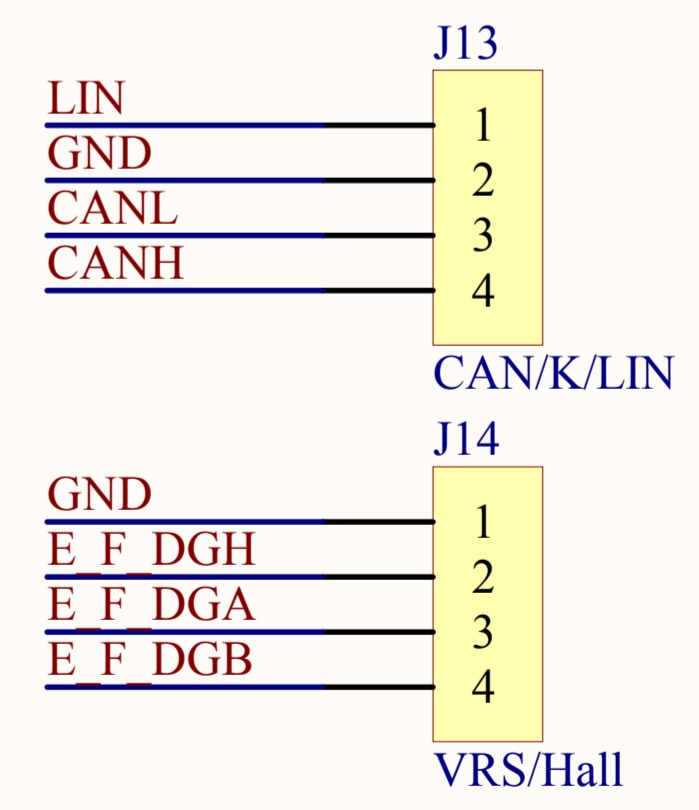
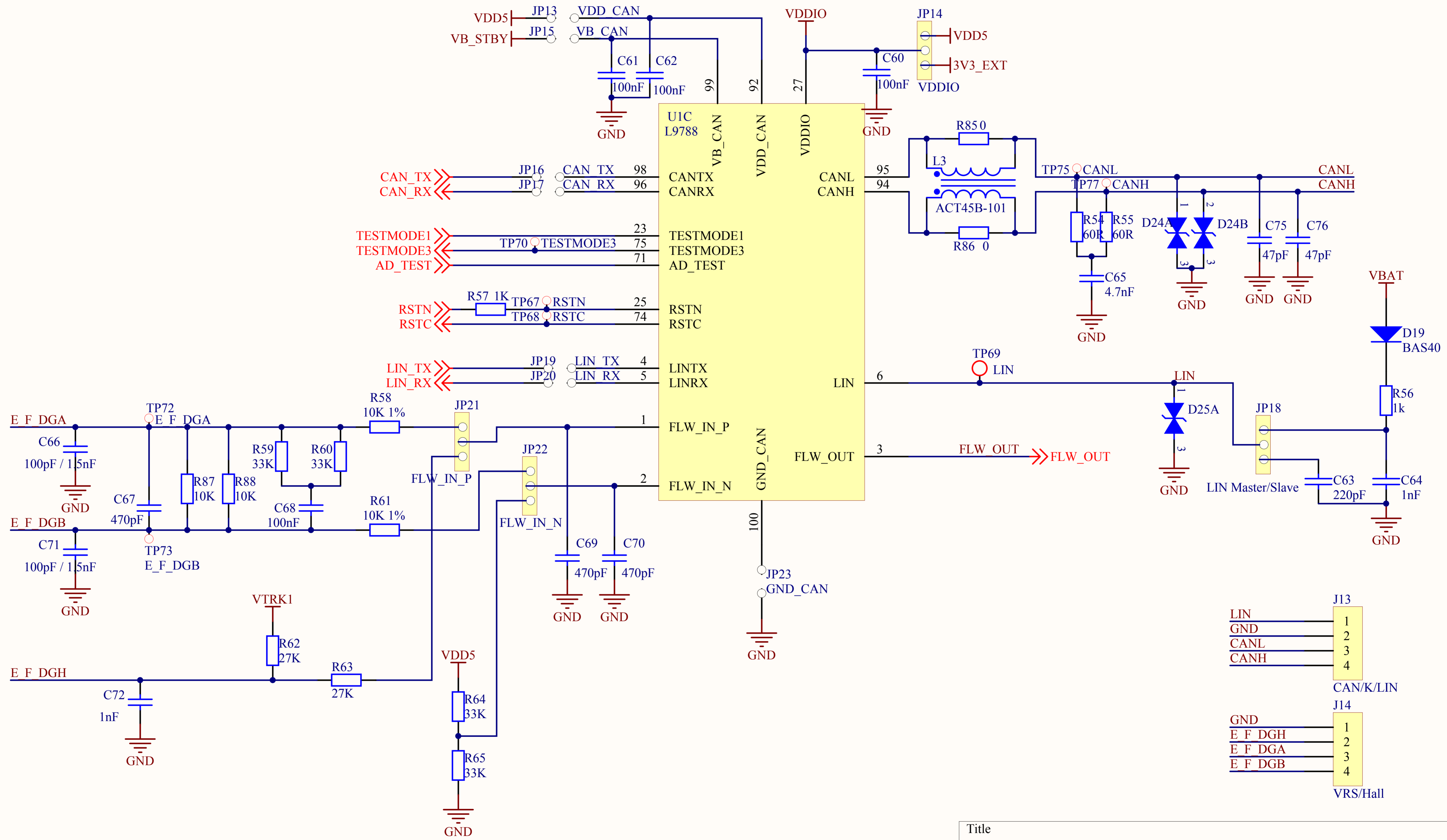
Title		
Size	Number	Revision
A4		
Date:	2015/7/9	Sheet of
File:	C:\Users\...L9788_demo_a_regulators_v1.SchDoc	Drawn By:



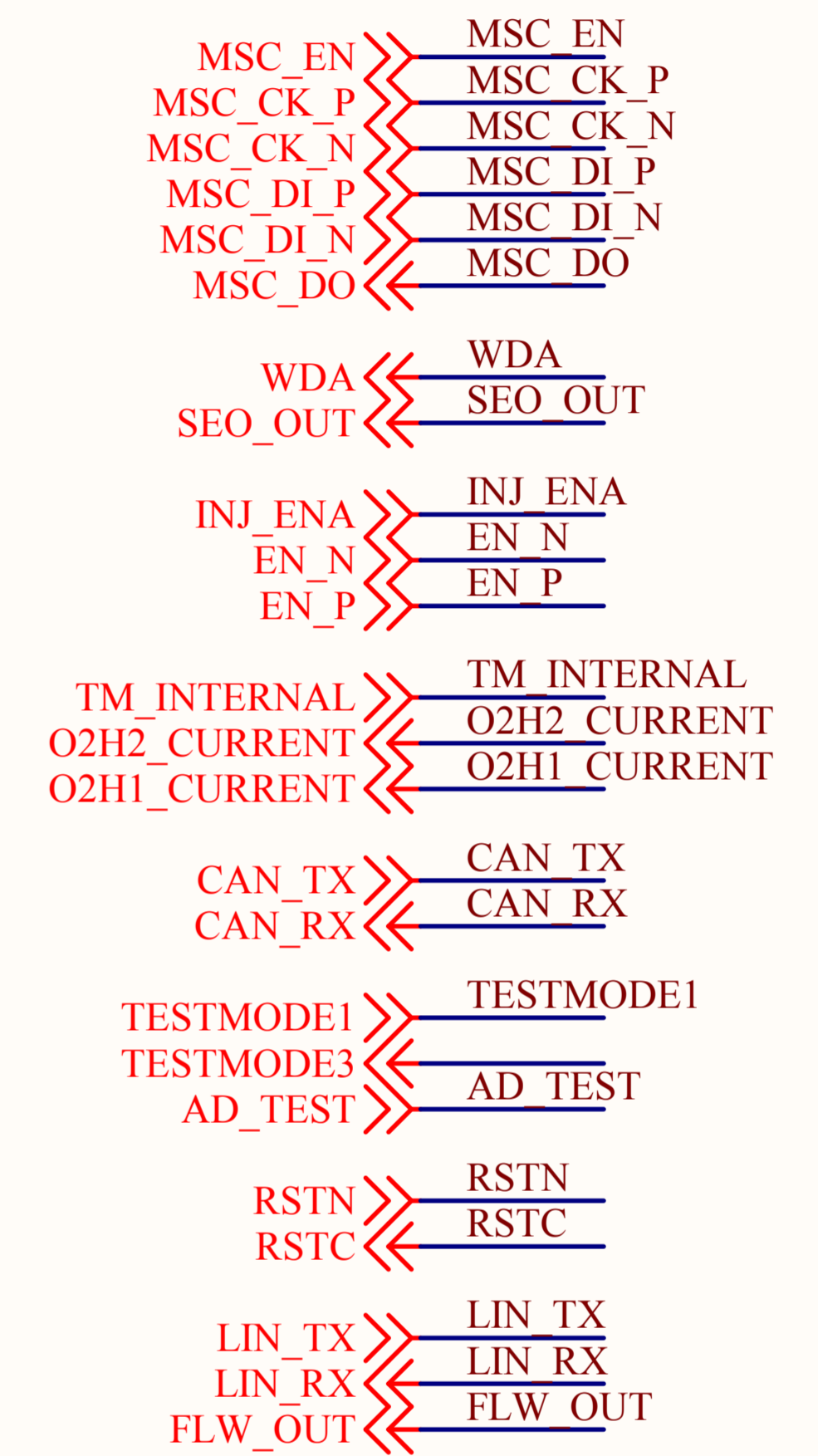
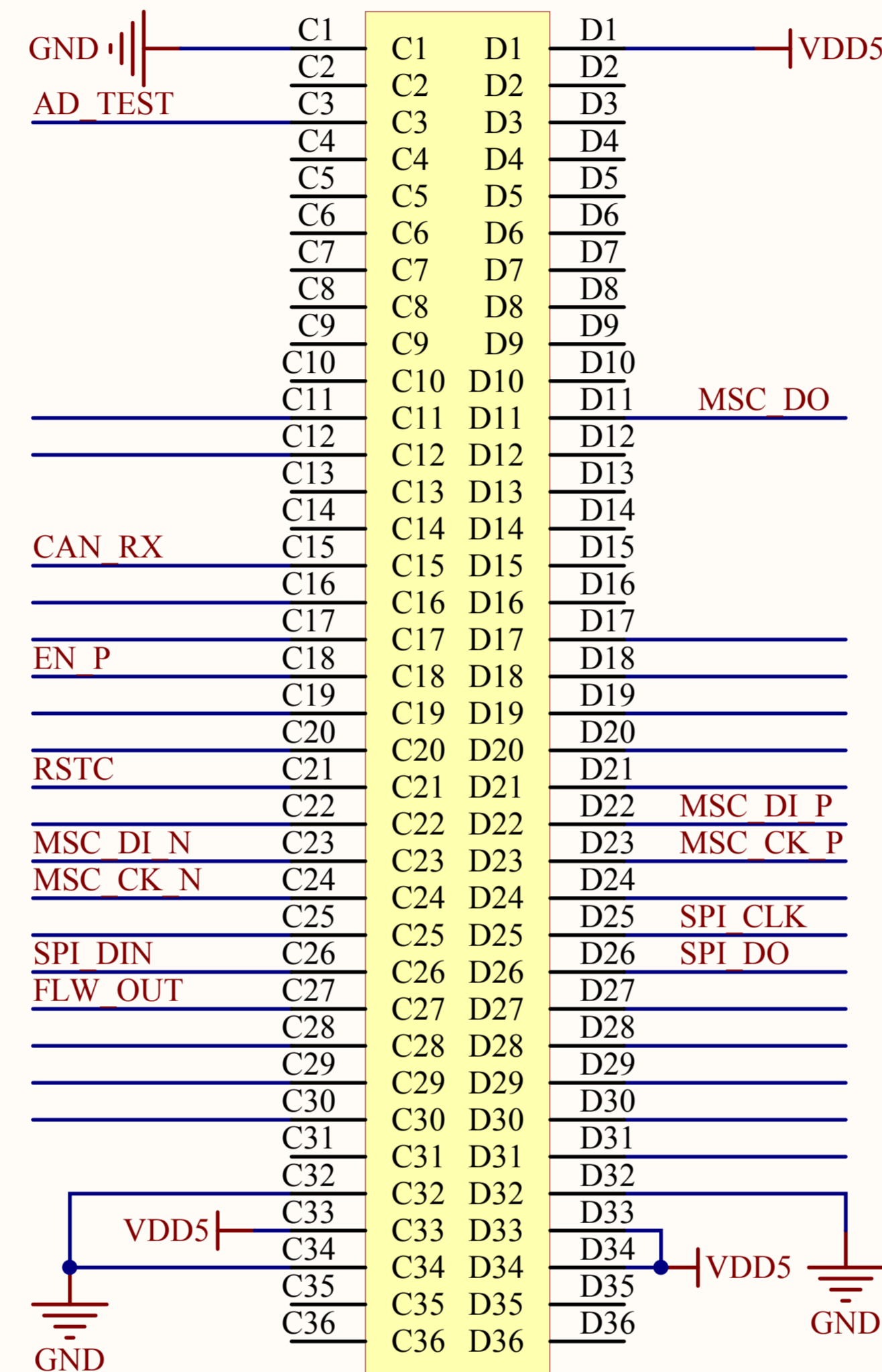
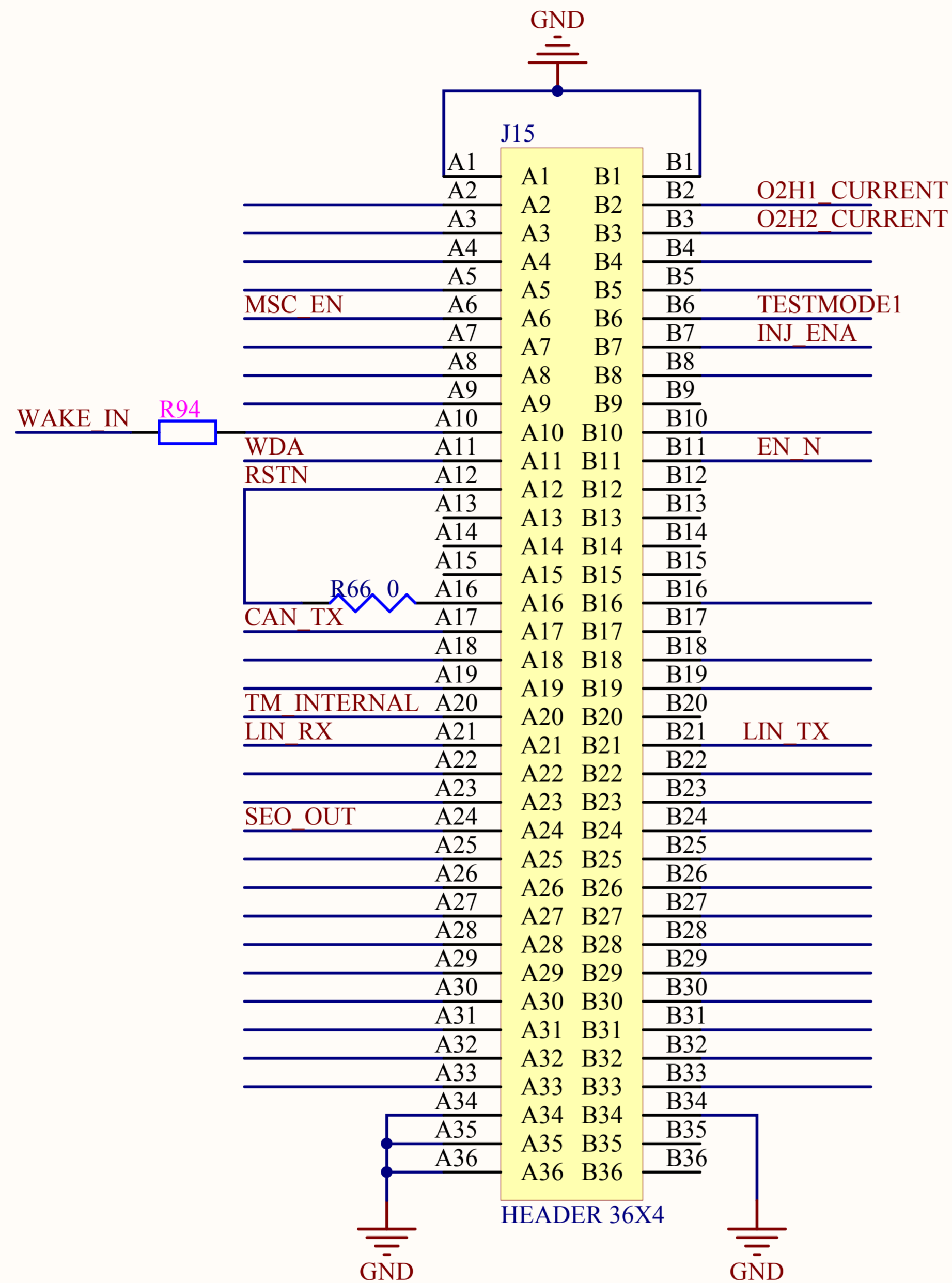
PRE-DRIVER
 MSC_O2HPredr = '0':
 R36 (NC), R38, R84 0ohm
 R31 (NC), R32, R80 0ohm
 MSC_O2HPredr = '1':
 R36(0ohm), R38&R84 (0.05ohm)
 R31(0ohm), R32&R80(0.05ohm)

HS	LS
STR1	R41 R42
STR2	R44 R45
STR3	R46 R47

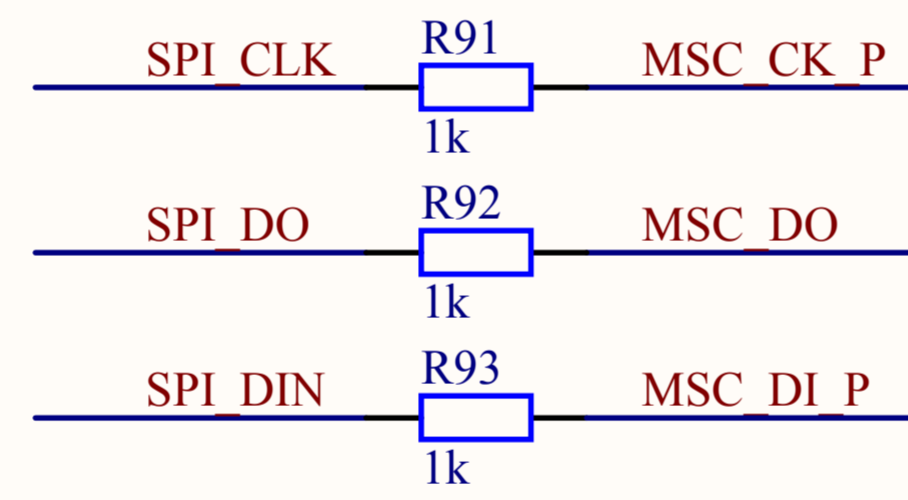
Title	Size	Number	Revision
	A4		
Date:	2015/7/9	Sheet of	
File:	C:\Users\...L9788_demo_b_drivers_v1.SchDoc	Drawn By:	



Title		
Size	Number	Revision
A4		
Date:	2015/7/9	Sheet of
File:	C:\Users\...\L9788_demo_c_interface_v1.SchDoc	Drawn By:



Title		
Size	Number	Revision
A4		
Date:	2015/7/9	Sheet of
File:	C:\Users\...\L9788_demo_MCU_Connector	DraSch.Dwg



Title		
Size	Number	Revision
A4		
Date:	2015/7/9	Sheet of
File:	C:\Users\...\L9788_demo_test_mode_v1.SchDrawn By:	